

LEE AVENUE DRAINAGE IMPROVEMENTS

PLANS PREPARED FOR:



**CITY OF
TALLAHASSEE**

**UNDERGROUND UTILITIES & PUBLIC INFRASTRUCTURE ENGINEERING
STORMWATER MANAGEMENT
C.O.T. WORK ORDER NO. 1900221**

INDEX OF SHEETS

SHEET NO.	SHEET DESCRIPTION
1	COVER SHEET
2	DRAINAGE MAP
3-4	GENERAL NOTES
5	PAY ITEM NOTES
6-7	TYPICAL SECTIONS
8-9	TYPICAL DETAILS
10-11	PROJECT LAYOUT
12-18	PLAN & PROFILE
19-26	DRAINAGE STRUCTURES
27-48	CROSS SECTIONS
49	ROADWAY DETAILS - TRECOTT ROADWAY
50-55	ROADWAY DETAILS - DRIVEWAY PROFILES
56-58	GRADING DETAILS
59	SOIL SURVEY
60	ENGINEERED EXCAVATION SUPPORT SYSTEM
61-62	UTILITY ADJUSTMENTS
63	STORMWATER POLLUTION PREVENTION PLAN
64-67	EROSION CONTROL PLAN
68-71	TRAFFIC CONTROL PLAN
72-75	UTILITY PLAN & PROFILE
76	UTILITY DETAILS
TR0-TR10	ARBORICULTURAL MITIGATION PLAN

GOVERNING STANDARDS AND SPECIFICATIONS:

FLORIDA DEPARTMENT OF TRANSPORTATION, STANDARD PLANS, FY 2023-24 EDITION AND STANDARD SPECIFICATIONS FOR ROAD AND BRIDGE CONSTRUCTION, JULY 2023 EDITION, AS AMENDED BY CONTRACT DOCUMENTS.

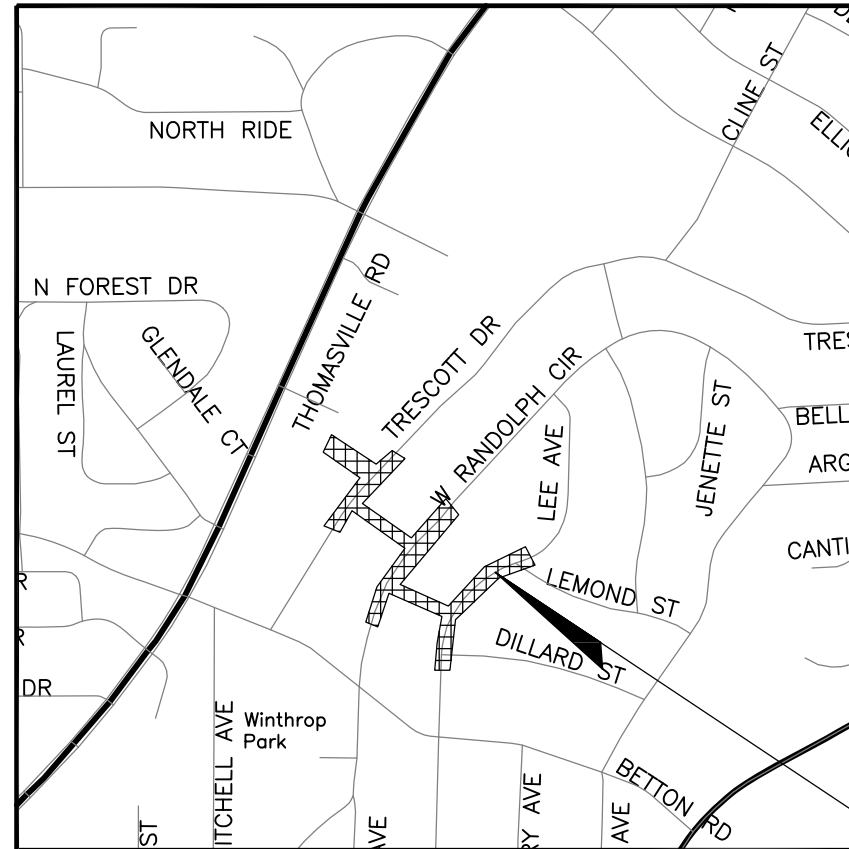
CITY OF TALLAHASSEE SUPPLEMENTAL SPECIFICATIONS FOR ROAD AND BRIDGE CONSTRUCTION, JANUARY 2022

CITY OF TALLAHASSEE ENGINEERING DESIGN MANUAL FOR WATER AND SEWER FACILITIES, NOVEMBER 2019

CITY OF TALLAHASSEE TECHNICAL SPECIFICATIONS FOR WATER AND SEWER CONSTRUCTION, DECEMBER 2023

CITY OF TALLAHASSEE PAY ITEMS MANUAL FOR WATER AND SEWER CONSTRUCTION, OCTOBER 2018.

ATTENTION IS DIRECTED TO THE FACT THAT THESE PLANS MAY HAVE BEEN ALTERED IN SIZE BY REPRODUCTION. THIS MUST BE CONSIDERED WHEN OBTAINING SCALED DATA.



LOCATION MAP

1" = 800'

NORTH AMERICAN VERTICAL DATUM OF 1988

PLANS PREPARED BY:

EUTAW, INC

2419 FLEISCHMANN ROAD, SUITE 1
TALLAHASSEE, FLORIDA 32308
(850) 383-0400
WWW.EUTAWINC.COM

FBPE REGISTRY #9961

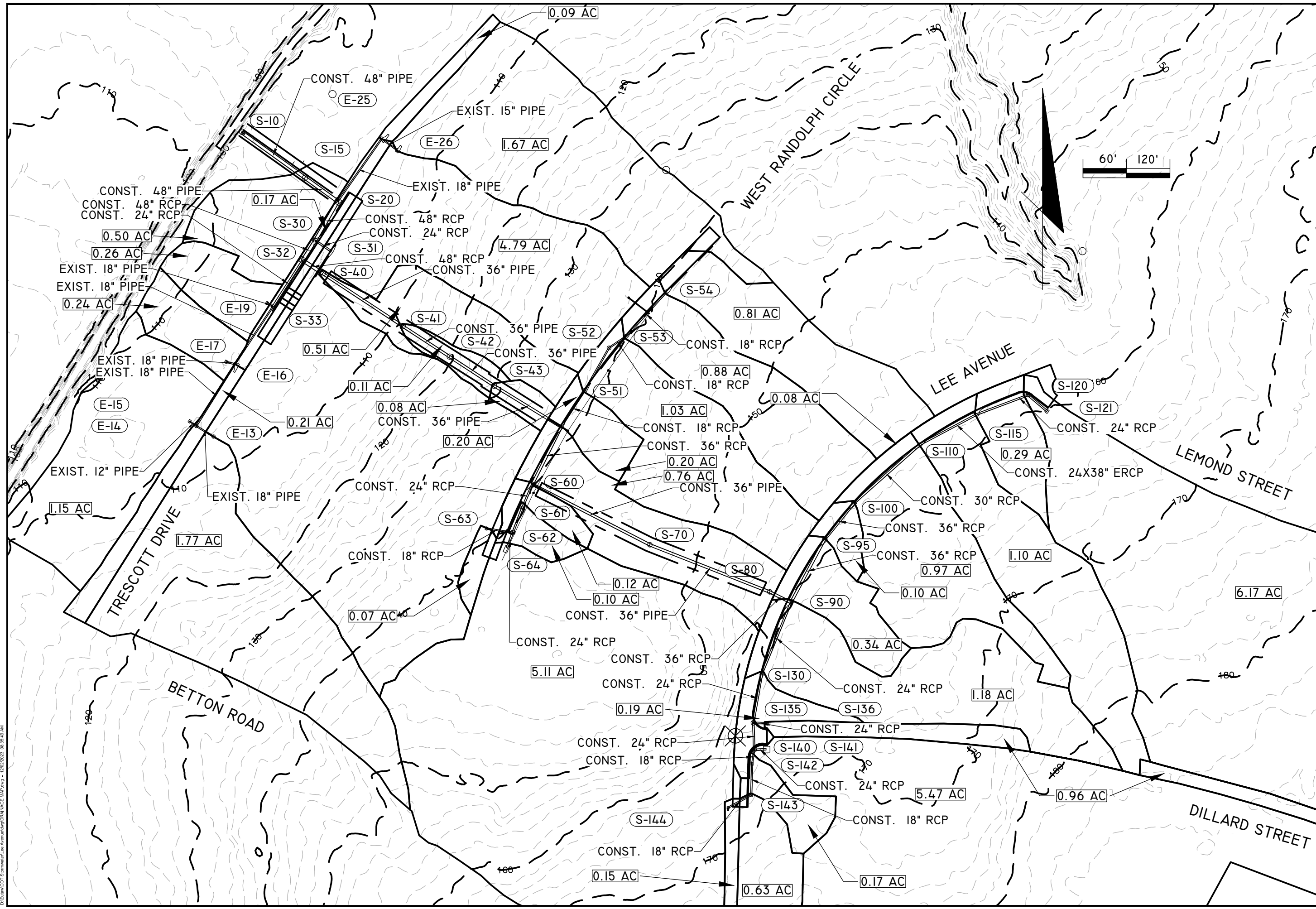
ENGINEER OF RECORD:

LANE P. LUCAS, P.E.
FLORIDA PE #53936

THIS DOCUMENT HAS BEEN DIGITALLY SIGNED AND SEALED BY LANE P. LUCAS, P.E. PRINTED COPIES OF THIS DOCUMENT ARE NOT CONSIDERED SIGNED AND THE SIGNATURE MUST BE VERIFIED ON ANY ELECTRONIC COPIES.

REVISIONS

NO.	DESCRIPTION	BY	DATE



ENGINEER OF RECORD
 LANE P. LUCAS
 F.P.E. No. 53936
 EUTAW, INC.
 2419-Fleischmann Road
 Tallahassee, Florida 32308
 FPBE REGISTRY # 9961

NO.	REVISIONS
1	ORIGINAL
2	
3	
4	
5	

Dec 02, 2023
 DRAINAGE MAP

PROJECT
 LEE AVENUE
 DRAINAGE
 IMPROVEMENTS

EUTAW, INC.
 ENGINEERING-UTILITIES TRANSPORTATION AND WATER
 2419 FLEISCHMANN ROAD - STE. 1
 TALLAHASSEE, FL 32308
 PHONE : (850) 383-0400
 WWW.EUTAWINC.COM
 FPBE REGISTRY #9961

JOB No.	
DRAWN	LPL
DESIGNED	LPL
CHECKED	MWH
QC	LPL
SHEET	2

DATE PLOTTED: 12/22/2023 08:35:59 AM
 D:\EUTAW\PROJECTS\Stormwater\Lee Avenue\DWG\DRAINAGE MAP.dwg

GENERAL NOTES:

- 1. THE CONTRACTOR SHALL HAVE ALL REQUIRED PERMITS IN-HAND PRIOR TO BEGINNING CONSTRUCTION, AND SHALL PERFORM ALL WORK IN ACCORDANCE WITH THE REQUIREMENTS OF THE PERMITS OBTAINED BY THE CITY AND THOSE PERMITS OBTAINED BY THE CONTRACTOR.
2. AT LEAST THREE CALENDAR DAYS PRIOR TO THE PRECONSTRUCTION CONFERENCE: THE CONTRACTOR SHALL SUBMIT TO THE ENGINEER FOR APPROVAL A TENTATIVE BASE CONSTRUCTION SCHEDULE, A PRECONSTRUCTION SURVEY, A TRAFFIC CONTROL PLAN, AND A SEDIMENT AND EROSION CONTROL PLAN.
3. THE CONSTRUCTION SCHEDULE SHALL DESCRIBE IN DETAIL HOW THE CONSTRUCTION IS TO BE PHASED, ESTABLISH START AND FINISH DATES FOR ALL SIGNIFICANT CONSTRUCTION ACTIVITIES, AND IDENTIFY ALL CONTROLLING ITEMS OF WORK.
4. THE PRECONSTRUCTION SURVEY SHALL VERIFY THE CONTROL POINTS AND BENCH MARK ELEVATIONS PROVIDED BY THE ENGINEER AND SHALL ALSO ESTABLISH THE LOCATION AND DESCRIPTION OF ALL ADDITIONAL REFERENCE POINTS AND THE LOCATIONS, DESCRIPTIONS, AND ELEVATIONS OF ALL ADDITIONAL BENCHMARKS TO BE USED IN CONSTRUCTING THE PROJECT.
5. THE GEOTECHNICAL INFORMATION SHOWN ON THE DRAWINGS WAS OBTAINED FOR USE IN ESTABLISHING DESIGN CRITERIA FOR THE PROJECT.
6. THE CONTRACTOR IS RESPONSIBLE FOR PRESERVING ALL PROPERTY CORNERS AND MONUMENTS SHOWN ON THE DRAWINGS OR FOUND DURING CONSTRUCTION.
7. ANY NATIONAL GEODETIC SURVEY MONUMENT WITHIN THE LIMITS OF CONSTRUCTION MUST BE PROTECTED. IF IN DANGER OF DAMAGE, THE CONTRACTOR SHALL IMMEDIATELY NOTIFY THE ENGINEER AND:
FLORIDA DEPARTMENT OF ENVIRONMENTAL PROTECTION
BUREAU OF SURVEY AND MAPPING
3900 COMMONWEALTH BLVD.
TALLAHASSEE, FLORIDA 32399-3000
(850) 245-2118
PUBLIC.SERVICES@DEP.STATE.FL.US
8. THE CONTRACTOR IS RESPONSIBLE FOR THE PROTECTION OF ALL UTILITIES. THE INFORMATION SHOWN ON THESE DRAWINGS CONCERNING TYPE AND LOCATION OF UNDERGROUND AND OTHER UTILITIES IS BASED ON INFORMATION PROVIDED BY THE UTILITY OWNERS, AVAILABLE RECORDS, AND SURVEYED FIELD INFORMATION.
9. PRIOR TO ANY SCHEDULED INTERRUPTION OF UTILITY SERVICE, THE CONTRACTOR SHALL COORDINATE SUCH INTERRUPTION WITH THE UTILITY PROVIDER AND SHALL PROVIDE A MINIMUM 24-HOUR NOTICE TO THE AFFECTED PARTIES.
10. THE CONTRACTOR SHALL NOTIFY THE GAS UTILITY (850-891-5100) A MINIMUM OF TWO WORKING DAYS PRIOR TO ANY EXCAVATION IN THE VICINITY OF GAS MAINS.
11. ALL UTILITIES IN CONFLICT WITH CONSTRUCTION ARE TO BE ADJUSTED OR RELOCATED BY OTHERS UNLESS NOTED OTHERWISE ON THE DRAWINGS OR DIRECTED BY THE ENGINEER.
12. WHERE THE REQUIRED MINIMUM SEPARATION BETWEEN UTILITIES IS SPECIFIED, THE DISTANCE SHALL BE MEASURED FROM OUTSIDE OF PIPE TO OUTSIDE OF PIPE.
13. LIMITS OF CONSTRUCTION ARE DEFINED IN THE PLANS AND CONSIST OF ROADWAY RIGHTS-OF-WAY, CITY OF TALLAHASSEE PROPERTIES, DRAINAGE RIGHTS-OF-WAY, PERMANENT DRAINAGE AND/OR UTILITY EASEMENTS, AND TEMPORARY CONSTRUCTION EASEMENTS.
14. NO TRENCHES WILL BE ALLOWED TO REMAIN OPEN OVERNIGHT.
15. ALL EXISTING DRAINAGE STRUCTURES AND PIPES, PAVEMENT, SIDEWALKS, CURBS, ETC., WITHIN THE LIMITS OF CONSTRUCTION ARE TO REMAIN UNLESS OTHERWISE NOTED ON THE DRAWINGS OR DIRECTED BY THE ENGINEER.

AT NO COST TO THE CITY.

- 16. ALL STORM MANHOLES OR STRUCTURES DESIGNATED TO BE ABANDONED IN PLACE SHALL BE REMOVED TO A MINIMUM OF THREE FEET BELOW GRADE AND FILLED WITH COMPACTED SAND.
17. EXISTING CONCRETE AND ASPHALTIC CONCRETE DRIVEWAYS AND SIDEWALKS SHALL BE SAW-CUT AS REQUIRED FOR CONSTRUCTION.
18. ALL SIDEWALKS AND CURB RAMPS REMOVED DURING CONSTRUCTION SHALL BE RECONSTRUCTED TO MEET CURRENT ADA STANDARDS.
19. THE CONTRACTOR SHALL PUT FORTH EVERY REASONABLE EFFORT TO MINIMIZE DISRUPTION AND DISTURBANCE OF ADJACENT PROPERTIES.
20. ALL FENCES IN CONFLICT WITH CONSTRUCTION SHALL BE REMOVED AND REPLACED IN THEIR ORIGINAL LOCATIONS OR IN OTHER LOCATIONS AS DIRECTED BY THE ENGINEER.
21. THE CONTRACTOR SHALL EXERCISE DUE CARE IN THE REMOVAL OF EXISTING FENCES TO MAINTAIN SECURITY AT THE AFFECTED PROPERTIES AND TO ENSURE THE SAFETY OF PETS, ANIMALS AND CHILDREN.
22. THE CONTRACTOR IS RESPONSIBLE FOR THE PROTECTION OF ALL TREES AND LANDSCAPING ON ADJACENT PROPERTIES, AND WILL BE SOLELY LIABLE FOR DAMAGE TO VEGETATION ON PROPERTIES ADJACENT TO CONSTRUCTION WORK ZONES.
23. THE CONTRACTOR SHALL NOT DISTURB GRASSING OR LANDSCAPING OUTSIDE CONSTRUCTION WORK ZONES.
24. THE LOCATION AND CONSTRUCTION OF MAILBOXES SHALL BE IN CONFORMANCE WITH THE RULES AND REGULATIONS OF THE UNITED STATES POSTAL SERVICE.
25. DISTURBED AREAS SHALL BE COMPACTED (AT A MINIMUM) EQUAL TO ADJACENT UNDISTURBED GROUND EXCEPT WHEN OTHERWISE SPECIFIED.
26. PROPERTIES ADJACENT TO WORK ZONES SHALL BE GRADED TO DRAIN WITHIN THE LIMITS OF CONSTRUCTION.
27. ALL DISTURBED AREAS WITHIN CONSTRUCTION WORK ZONES ARE TO BE GRASSED EXCEPT FOR AREAS THAT ARE LANDSCAPED, PAVED, OR BELOW NORMAL WATER LEVEL.
28. PRIOR TO REQUESTING A FINAL INSPECTION, THE CONTRACTOR SHALL PREPARE AND SUBMIT TO THE ENGINEER FOUR COMPLETE SETS OF CERTIFIED AS-BUILT RECORD DRAWINGS AND TWO COPIES OF THE DIGITAL FILES ON CD-ROM DISKS.

SUPPLEMENTAL GENERAL NOTES:

- 1. WORKDAY: PERFORM ALL WORK BETWEEN 7:30 A.M. AND 7:00 P.M., MONDAY THRU SATURDAY. NO WORK SHALL BE PERFORMED ON DAYS OF HOME FSU/FAMU FOOTBALL OR SPRING FOOTBALL GAME WEEKENDS, HOLIDAYS (NEW YEAR'S DAY, MEMORIAL DAY, INDEPENDENCE DAY, LABOR DAY, THANKSGIVING DAY, AND CHRISTMAS DAY), DURING SPECIAL EVENTS (GRADUATION, HOMECOMING, ETC.), DURING EVACUATION ACTIVITIES, OR OTHER OCCASIONS REQUIRING FULL USE OF THE ROADWAY.
2. CITY OF TALLAHASSEE SURVEYING, PROVIDED THE TOPOGRAPHY, BENCHMARKS, RIGHTS-OF-WAY AND UTILITY LOCATION INFORMATION SHOWN ON THE CONSTRUCTION DRAWINGS.
3. THE CONTRACTOR SHALL PROTECT AND MAINTAIN ALL VALVE BOXES ON GAS AND WATER MAINS WITHIN THE LIMITS OF CONSTRUCTION THAT ARE TO REMAIN IN SERVICE.
4. IF PREHISTORIC OR HISTORIC ARTIFACTS, SUCH AS POTTERY OR CERAMICS, PROJECTILE POINTS, DUGOUT CANOES, METAL IMPLEMENTS, HISTORIC BUILDING MATERIALS, OR ANY OTHER PHYSICAL REMAINS THAT COULD BE ASSOCIATED WITH NATIVE AMERICAN, EARLY EUROPEAN, OR AMERICAN SETTLEMENTS ARE ENCOUNTERED AT ANY TIME WITHIN THE PROJECT SITE AREA, THE PERMITTED PROJECT SHALL CEASE ALL ACTIVITIES INVOLVING SUBSURFACE DISTURBANCE IN THE IMMEDIATE VICINITY OF THE DISCOVERY.

SUPPLEMENTAL GENERAL NOTES - STORMWATER CONSTRUCTION:

- 1. FOR DRAINAGE STRUCTURES AND PIPELINES LOCATED IN EASEMENTS BETWEEN RESIDENTIAL STRUCTURES (S-40, S-41, S-42, S-60, S-70, S-80) ONLY STATIC COMPACTION IS ALLOWED.
2. IF THE PLANS DO NOT DESIGNATE A TYPE OF PIPE, EITHER STEEL REINFORCED CONCRETE PIPE (MINIMUM CLASS III) IN ACCORDANCE WITH STANDARD SPECIFICATION 449-4 OR FLORIDA DEPARTMENT OF TRANSPORTATION APPROVED POLYPROPYLENE PIPE MAY BE USED.
3. ALL REINFORCED CONCRETE PIPE SHALL BE INSTALLED USING SELECT MATERIAL FOR THE SOIL ENVELOPE AS SHOWN ON THE STORM DRAIN PIPE INSTALLATION DETAIL.
4. ALL JOINTS OF CONCRETE PIPES, CULVERTS, AND STORM DRAINS SHALL HAVE A FILTER FABRIC JACKET AS DETAILED ON STANDARD PLANS INDEX 430-001.
5. ALL PIPE CULVERTS AND STORM DRAINS 48-INCHES OR LESS IN DIAMETER SHALL BE VIDEO TAPED IN ACCORDANCE WITH SECTION 430-4.8 OF THE STANDARD SPECIFICATIONS UNLESS OTHERWISE DIRECTED BY THE ENGINEER.
6. UNLESS NOTED OTHERWISE IN THE PLANS, THE CONTRACTOR SHALL TAKE OWNERSHIP OF ALL EXCAVATED MATERIALS NOT SUITABLE FOR BACKFILLING AND OF ALL EXCAVATED SUITABLE MATERIALS THAT ARE NOT REQUIRED FOR BACKFILLING OR FOR OTHER USE ON SITE.
7. ALL CURB INLETS, DITCH BOTTOM INLETS, AND MANHOLES SHALL HAVE TRAFFIC BEARING FRAMES AND COVERS OR GRATES MEETING HS-20 LOADING REQUIREMENTS UNLESS OTHERWISE SHOWN ON THE PLANS.
8. ALL STORM DRAIN COVERS SHALL BE TYPE USF T.J (U.S. FOUNDRY NO. 8017195), NPR15-728 (EJ GROUP COVER NO. 3062A2), OR APPROVED EQUAL.
9. ALL TYPE J STRUCTURE BOTTOMS SHALL HAVE A MINIMUM 6'-0" WALL HEIGHT WHEN POSSIBLE.
10. ALL GRATES SHALL BE CHAINED AND LOCKED IN ACCORDANCE WITH STANDARD PLANS INDEX 425-001.
11. UTILITIES IN CONFLICT WITH THE INSTALLATION OF A NEW STORM DRAIN ARE TO BE ADJUSTED OR RELOCATED TO ELIMINATE THE CONFLICT.

- 2. ACCESS TO BUSINESS AND RESIDENTIAL DRIVEWAYS SHALL BE MAINTAINED AT ALL TIMES.
3. NO ROADWAYS (INCLUDING COUNTY ROADS) SHALL BE CLOSED WITHOUT PRIOR APPROVAL OF CITY OF TALLAHASSEE TRAFFIC ENGINEERING.
4. ALL TRAFFIC CONTROL DEVICES SHALL BE INSTALLED IN ACCORDANCE WITH THE MANUAL ON UNIFORM TRAFFIC CONTROL DEVICES AND/OR THE FLORIDA DEPARTMENT OF TRANSPORTATION DESIGN STANDARDS.
5. ALL TRAFFIC CONTROL DEVICES SHALL BE IN PLACE BEFORE THE START OF CONSTRUCTION ON AFFECTED ROADWAYS.
6. WARNING LIGHTS SHALL BE USED ON BARRICADES DURING HOURS OF DARKNESS IN ACCORDANCE WITH STANDARD PLANS INDEX 102-600.

SUPPLEMENTAL GENERAL NOTES - TREE PROTECTION

- 1. BARRICADE FENCING SHALL BE INSTALLED AT OR NEAR THE CRITICAL PROTECTION ZONE (CPZ) OF EACH TREE TO BE PROTECTED PRIOR TO INITIATION OF ANY CONSTRUCTION ACTIVITY.
2. ALL ROOTS 2" IN DIAMETER AND LARGER OF TREES TO BE PROTECTED OR PRESERVED THAT ARE EXPOSED DURING TRENCHING AND EXCAVATION SHALL BE CLEANLY CUT WITH A HANDSAW AND COVERED IMMEDIATELY WITH SOIL OR KEPT MOISTENED WITH WET BURLAP OR PEAT MOSS UNTIL THE TRENCH CAN BE FILLED.
3. THE CONTRACTOR SHALL PROVIDE THE SERVICES OF A CERTIFIED ARBORIST TO BE ON SITE TO DIRECT TREE PROTECTION AND MITIGATION ACTIVITIES DURING ALL CONSTRUCTION OPERATIONS WITHIN THE CPZ OF TREES IDENTIFIED AS THOSE REQUIRING CERTIFIED ARBORIST SERVICES.

ENGINEER OF RECORD
LANE P. LUCAS
FL P.E. No. 53936
Eutaw, Inc.
2419-1 Fleischmann Road
Tallahassee, FL 32308
(850) 383-0400
FBPE REGISTRY # 9961

Table with 5 columns: ORIGINAL, REVISIONS, and numbered rows 1-5.

GENERAL NOTES
LEE AVENUE DRAINAGE IMPROVEMENT PROJECT

Eutaw, Inc.
ENGINEERING-UTILITIES, TRANSPORTATION, AND WATER
2419 FLEISCHMANN ROAD, STE. I
TALLAHASSEE, FL 32308
PHONE: (850) 383-0400
WWW.EUTAWINC.COM
FBPE REGISTRY #9961

Table with 2 columns: JOB No., DRAWN, DESIGNED, CHECKED, QC, SHEET, and values: LPL, LPL, MWH, LPL, 3.

UTILITY GENERAL NOTES

MEASUREMENT AND PAYMENT

MEASUREMENT AND PAYMENT FOR ALL UTILITY WORK PERFORMED UNDER THE CONTRACT WILL BE IN ACCORDANCE WITH THE CITY OF TALLAHASSEE PAY ITEM MANUAL FOR WATER AND SEWER CONSTRUCTION AND THE CONTRACT DOCUMENTS. NO PAYMENT WILL BE MADE TO THE CONTRACTOR FOR ADDITIONAL QUANTITIES AND/OR WORK PERFORMED THAT IS NOT INCLUDED IN THE BID FORM OF THE CONTRACT WITHOUT WRITTEN APPROVAL BY THE CITY.

WARRANTY

WHEN REPAIRS ARE REQUIRED WITHIN THE TWO YEAR WARRANTY PERIOD, THE CONTRACTOR MUST FIRST MAKE ALL NECESSARY REPAIRS, THEN PATCH THE AFFECTED AREA IN ACCORDANCE WITH THE JURISDICTIONAL AGENCY'S REQUIREMENTS, AND THEN MILL AND RESURFACE THE FULL ROAD WIDTH WITH 1-INCH THICK SP-9.5 ASPHALT TO A MINIMUM DISTANCE OF 25-FEET EACH DIRECTION FROM THE PAVEMENT CUTS, OR AS REQUIRED BY THE ROADWAY'S JURISDICTIONAL AGENCY.

GOVERNING SPECIFICATIONS AND JURISDICTION

GOVERNING SPECIFICATIONS FOR CONSTRUCTION OF WASTEWATER (SANITARY) COLLECTION FACILITIES & WATER MAIN ON THIS PROJECT ARE THE CITY OF TALLAHASSEE (COT) TECHNICAL SPECIFICATIONS FOR WATER AND SEWER CONSTRUCTION, CURRENT EDITION. THE CONTRACTOR MAY ACCESS AND DOWNLOAD THE COT TECHNICAL SPECIFICATIONS FROM THE FOLLOWING INTERNET URL

HTTP://WWW.TALGOV.COM/YOU/DOCUMENTS.ASPX

REQUIREMENTS NOT SPECIFICALLY COVERED BY THE GOVERNING SPECIFICATIONS ABOVE MAY BE COVERED BY PLAN NOTES OR SPECIAL PROVISIONS, AND ALL SUCH REQUIREMENTS ARE CONSIDERED AS PART OF THE CONTRACT.

WORK MAY BE SUBJECT TO REGULATORY PERMITTING AND OVERSIGHT BY THE CITY OF TALLAHASSEE GROWTH MANAGEMENT DEPARTMENT, THE CITY OF TALLAHASSEE UNDERGROUND UTILITIES AND PUBLIC INFRASTRUCTURE DEPARTMENT, LEON COUNTY PUBLIC WORKS DEPARTMENT, LEON COUNTY DEVELOPMENT SUPPORT AND ENVIRONMENTAL MANAGEMENT DEPARTMENT, FLORIDA DEPARTMENT OF TRANSPORTATION, OR OTHER JURISDICTIONAL AGENCY. THE FDOT STANDARDS AND SPECIFICATIONS ARE HEREIN ADOPTED BY REFERENCE. THE CONTRACTOR MAY BE REQUIRED TO OBTAIN ADDITIONAL PERMITS PRIOR TO BEGINNING CONSTRUCTION. THE CONTRACTOR WILL OBTAIN COPIES OF ALL APPLICABLE PERMITS AND BE BOUND BY THE CONDITIONS AND PROVISIONS OF EACH PERMIT, AND WILL PERFORM ALL WORK IN ACCORDANCE WITH THE REQUIREMENTS OF THE PERMITS AS PART OF THE CONTRACT. NO SEPARATE PAYMENT WILL BE MADE FOR THIS WORK.

PRECONSTRUCTION ACTIVITIES

- 1. PRIOR TO ESTABLISHING TEMPORARY WATER UTILITIES REQUIRED FOR CONSTRUCTION, SAID WATER UTILITIES MUST PASS BACTERIOLOGICAL TESTS BEFORE MAKING CONNECTIONS.
2. ANY CHANGES OR ANY OTHER DEVIATIONS FROM THE APPROVED DRAWINGS DUE TO FIELD CONDITIONS MUST BE APPROVED BY THE CITY AND THE GOVERNING AUTHORITY HAVING JURISDICTION PRIOR TO BEING CONSTRUCTED.

TRENCH SAFETY

COMPLY WITH ALL OSHA TRENCH SAFETY REQUIREMENTS. SHEETING AND BRACING SHALL BE ADEQUATE TO PREVENT CAVE-IN OF TRENCH WALLS. SUBSIDENCE OF AREAS ADJACENT TO THE TRENCH, DAMAGE TO UTILITIES, AND SLOUGHING OF THE BASE OF THE EXCAVATION DUE TO WATER SEEPAGE. IT IS THE CONTRACTOR'S RESPONSIBILITY FOR THE ADEQUACY OF ANY SHEETING AND BRACING.

GENERAL CONSTRUCTION CONSIDERATIONS

- 1. NO MODIFICATIONS, PLANNED OR UNPLANNED, TO EXISTING UTILITY SYSTEMS WILL BE ALLOWED WITHOUT APPROVED PLANS AND A CITY UTILITY INSPECTOR ON SITE TO WITNESS THE MODIFICATIONS. VIOLATION OF THIS OBLIGATION MAY REQUIRE THAT THE CONTRACTOR REPLACE ALL MODIFIED COMPONENTS WITH NEW COMPONENTS (I.E., BORED MANHOLE WILL BE REPLACED WITH NEW MANHOLE; TAPPED LINE WILL BE REPLACED WITH 20 FEET OF LINE TO EITHER SIDE OF TAP, OR SIMILAR REPLACEMENTS). IN ADDITION TO THE NEW REPLACEMENTS, FINES MAY BE IMPOSED FOR EACH VIOLATION TO COVER THE COST OF ADDITIONAL ENGINEERING AND INSPECTION SERVICES.

UTILITY LOCATION AND PROTECTION

- 1. ALL UTILITIES (MAINS AND SERVICES) WITHIN THE LIMITS OF CONSTRUCTION ARE THE RESPONSIBILITY OF THE CONTRACTOR UNTIL SUCH TIME AS THE SYSTEM(S) IS DEEMED ACCEPTED BY THE CITY. THE CONTRACTOR WILL BE NOTIFIED OF ACCEPTANCE IN WRITING AFTER THE CITY RECEIVES APPROVED AS-BUILT DRAWINGS. THE CONTRACTOR IS LIABLE FOR ANY DAMAGES TO THE UTILITY SYSTEMS CAUSED BY THE INSTALLATION OF ANY OTHER UTILITIES. PRIOR TO ACCEPTANCE, PROVIDE ALL FIELD UTILITY LOCATIONS IN ACCORDANCE WITH UTILITY LOCATION STANDARDS AS ESTABLISHED BY THE AMERICAN PUBLIC WORKS ASSOCIATION.
2. CAUTION: THE CONTRACTOR IS ADVISED THAT UNDERGROUND GAS, ELECTRICAL DISTRIBUTION, AND COMMUNICATION FACILITIES MAY BE PRESENT THROUGHOUT THE WORK LIMITS.
3. EXISTING COT-OWNED POTABLE WATER, RECLAIMED WATER, WASTEWATER COLLECTION, AND GAS FACILITIES SHALL REMAIN IN-PLACE UNLESS OTHERWISE DESIGNATED IN THE PLANS TO BE REMOVED.
4. PRIOR TO ANY SCHEDULED INTERRUPTION OF UTILITY SERVICE, THE CONTRACTOR WILL COORDINATE SUCH INTERRUPTIONS WITH THE UTILITY PROVIDER AND WILL PROVIDE A MINIMUM 24-HOUR NOTICE TO THE AFFECTED PARTIES. IN THE CASE OF A WATER MAIN SHUT DOWN, A MINIMUM 24-HOUR NOTICE ALSO WILL BE PROVIDED TO THE TALLAHASSEE FIRE DEPARTMENT.
5. SUPPORT ALL EXISTING ACTIVE UTILITY MAINS THAT CROSS CONSTRUCTION TRENCHES TO PREVENT JOINT SEPARATION AND DAMAGE TO SAID MAINS. THE RESPONSIBILITY FOR THE ADEQUACY OF ANY REQUIRED SUPPORT SYSTEMS BELONGS TO THE CONTRACTOR. THE COST OF UTILITY SUPPORT SYSTEMS IS CONSIDERED INCIDENTAL TO THE PAY ITEMS IN THE CONTRACT FOR UTILITY PIPE. NO SEPARATE PAYMENT WILL BE MADE FOR THIS WORK.
6. THE CONTRACTOR IS RESPONSIBLE FOR ALL MEANS, METHODS, EQUIPMENT, LABOR, SUPERVISION, AND MATERIALS NECESSARY TO DRAIN, TRANSPORT, PUMP, AND/OR OTHERWISE DISPOSE OF ANY RESIDUAL WASTEWATER CONTAINED IN EXISTING OR NEW GRAVITY SEWERS AND FORCE MAINS IN ACCORDANCE WITH THE WASTEWATER MANAGEMENT PLAN.
7. IN THE EVENT THAT WASTEWATER FLOW DIVERSION IS NEEDED ON THIS PROJECT TO COMPLETE PIPING MODIFICATIONS, THE CONTRACTOR WILL BE REQUIRED TO PHYSICALLY STAFF THE FLOW DIVERSION EQUIPMENT 24 HOURS A DAY, 7 DAYS A WEEK UNTIL THE FLOW DIVERSION IS NO LONGER NEEDED. THE COST FOR STAFFING THE FLOW DIVERSION EQUIPMENT SHALL BE CONSIDERED INCIDENTAL TO THE CONTRACT UNIT PRICES FOR UTILITY PIPE AND NO SEPARATE PAYMENT WILL BE MADE FOR THIS WORK, UNLESS SPECIFICALLY NOTED OTHERWISE.

POTABLE WATER MAINS

- 1. POTABLE WATER SERVICE WILL BE MAINTAINED TO RESIDENCES AND BUSINESSES AT ALL TIMES, EXCEPT DURING THE TRANSFER OF SERVICES.
2. THE TRANSFER OF WATER SERVICES SHALL BE SCHEDULED FOR THE HOURS BETWEEN 9:00 A.M. AND 4:00 P.M., AND SHALL BE COMPLETED WITHOUT DELAY TO LIMIT CUSTOMER INCONVENIENCES.
3. KEEP FIRE HYDRANTS OPERABLE AND ACCESSIBLE AT ALL TIMES. DO NOT PLACE EQUIPMENT OR MATERIALS WITHIN 15 FEET OF ANY FIRE HYDRANT. FIRE HYDRANTS TAKEN OUT-OF-SERVICE SHALL BE COVERED WITH BAGS, OR AS DIRECTED BY THE CITY'S INSPECTOR, TO CLEARLY INDICATE THAT THE HYDRANT IS INOPERABLE. THE CONTRACTOR SHALL REPORT OUT OF SERVICE HYDRANTS TO THE CITY INSPECTOR FOR NOTIFICATION TO THE FIRE DEPARTMENT DISPATCH CENTER.
4. DO NOT CUT, CAP, OR PLUG EXISTING LOOPED PUBLIC POTABLE WATER MAINS WITHOUT THE PRIOR APPROVAL OF THE CITY.
5. REPLACE ALL EXISTING SERVICES WITHIN THE CONSTRUCTION LIMITS, INSTALL NEW METER SETTINGS TO THE RIGHTS-OF-WAY LINES (UNLESS OTHERWISE NOTED), RECONNECT AND TEST ANY BACK FLOW DEVICES AND/OR PRESSURE REDUCING VALVES, AND RECONNECT TO THE CUSTOMERS' PLUMBING. WHERE THERE IS MORE THAN ONE METER AT A TAP, A NEW MANIFOLD WILL BE BUILT AND INSTALLED PER THE LATEST WATER DETAIL SHEET. IT IS THE CONTRACTOR'S RESPONSIBILITIES TO FIELD INSPECT AND DETERMINE THE LOCATION AND NUMBER OF METERS AT A TAP.
6. SET METER BOXES TO REPAIR LEAKS WITHOUT DIGGING UP SIDEWALKS, PAVEMENT, WALLS, SPRINKLER LINES, ETC.; THERE WILL BE NO BOXES IN SWALES, UNDER DOWN SPOUTS, NEXT TO CONDENSATE DRAINS OR ANY OTHER SIMILAR SITUATION THAT MAY FILL THE BOX WITH WATER AND/OR MUD. NO STANDING WATER WILL BE ALLOWED IN METER BOXES.

WASTEWATER MAINS

- 1. MAINTAIN WASTEWATER COLLECTION SERVICE TO ALL CUSTOMERS AT ALL TIMES. PROVIDE WASTEWATER FLOW DIVERSION, AS NEEDED, TO MAINTAIN CONTINUOUS SANITARY SEWER SERVICE DURING CONSTRUCTION. WASTEWATER FLOW DIVERSION MAY CONSIST OF BY-PASS PUMPING, PUMPS, TRUCKS AND TRANSPORTATION; OR ANY OTHER METHOD APPROVED BY THE CITY. THE COST IS INCIDENTAL TO PAY ITEMS FOR NEW SANITARY SEWER STRUCTURES AND PIPING.
2. DISPOSE OF SANITARY SEWER STRUCTURES AND PIPING, WHICH ARE REMOVED TO CONSTRUCT NEW SANITARY SEWER FACILITIES. THE COST IS INCIDENTAL TO PAY ITEMS FOR NEW SANITARY STRUCTURES AND PIPING.
3. EXISTING SANITARY SEWER PIPING AND STRUCTURES THAT ARE DESIGNATED ON THE PLANS TO BE PLACED OUT-OF-SERVICE (IN PLACE) SHALL BE PLUGGED AT INFLUENT AND EFFLUENT ENDS WITH MASONRY PLUGS UNLESS OTHERWISE NOTED. EXISTING STRUCTURES SHALL BE REMOVED THREE FEET BELOW FINISHED GRADE AND FILLED WITH EXCAVATABLE FLOWABLE FILL. THE COST IS INCIDENTAL TO PAY ITEMS FOR NEW SANITARY SEWER STRUCTURES AND PIPING.
4. THE PLANS SHOW APPROXIMATE LOCATIONS OF ACTIVE AND INACTIVE SEWER SERVICE LATERALS, BASED ON PIPELINE INSPECTIONS CONDUCTED BY THE CITY. FIELD-VERIFY THE SIZE, MATERIAL AND LOCATION OF EXISTING ACTIVE SEWER LATERALS. ADJUST AND RECONNECT LATERALS AT

THEIR FIELD-VERIFIED LOCATIONS AND SIZES, UNLESS OTHERWISE DIRECTED BY THE CITY. PLUG INFLUENT AND EFFLUENT ENDS OF INACTIVE SEWER SERVICES WITH GROUT TO PLACE THEM OUT-OF-SERVICE. THE COST OF PLACING INACTIVE SEWER LATERALS OUT OF SERVICE IS INCIDENTAL TO PAY ITEMS FOR SERVICE LATERALS FOUND IN THE CONTRACT.

- 5. SANITARY SEWER LATERALS THAT ARE TO BE CONSTRUCTED MAY BE INSTALLED BY OPEN-CUT, PIPE BURSTING OR OTHER TECHNIQUES ACCEPTABLE TO THE CITY, UNLESS OTHERWISE SPECIFIED. THE BID PRICE SHALL BE FULL COMPENSATION FOR SUCH INSTALLATIONS. PIPE BURSTING REQUIRES PRE AND POST CONSTRUCTION TV INSPECTIONS.

PROJECT CLOSE-OUT

IN ADDITION TO THE DOCUMENTS FOR CONTRACT CLOSE-OUT AND FINAL PAYMENT REQUIRED BY THE CITY'S MANAGEMENT AND ADMINISTRATION DEPARTMENT, PROVIDE THE FOLLOWING DOCUMENTS AND/OR VERIFICATION TO THE CITY'S CONSTRUCTION INSPECTION MANAGER FOR REVIEW AND APPROVAL BEFORE FINAL PAYMENT IS AUTHORIZED:

- 1. ALL SEWER DEFICIENCIES, INCLUDING STRUCTURAL DAMAGE, DEFLECTIONS, DEBRIS, SAND, SEDIMENT, AND/OR INFILTRATION DISCOVERED DURING THE CLOSED CIRCUIT TV (CCTV) INSPECTIONS ARE REPAIRED. THE SEWER LINE WILL BE CCTV INSPECTED AFTER ANY REPAIRS TO DETERMINE IF THE DEFICIENCIES ARE CORRECTED.
2. ALL MANHOLES ARE INSPECTED BEFORE FINAL CCTV INSPECTION OF THE SEWERS. MANHOLES ARE CLEANED, WITH ALL PLUGS REMOVED AND RAIN DISHES INSTALLED (WHEN REQUIRED).
3. ALL MANHOLES AND VALVE BOXES ARE RAISED TO THEIR FINISH ELEVATIONS WITH ASPHALT IN PLACE. ALL MANHOLES AND VALVE BOXES MUST BE RAISED BEFORE THE FINAL CCTV INSPECTION OF THE SEWER, WHICH MUST BE COMPLETED BEFORE THE SEWER IS PLACED INTO SERVICE.
4. ALL SERVICES SHALL BE STAKED AND HAVE AN EMS LOCATING DEVICE PLACED IN ACCORDANCE WITH THE TECHNICAL SPECIFICATIONS AND A LETTER OF ACCEPTANCE HAS BEEN ISSUED BY THE CITY UTILITY.
5. COPIES OF ALL TESTING RESULTS, INCLUDING ALL COMPACTION DENSITY, AND OTHER REQUIRED TESTS IN ACCORDANCE WITH THE CONTRACT.
6. ALL REQUIRED DOCUMENTATION (INCLUDING AS-BUILT DRAWINGS AND CAD FILES) MUST BE RECEIVED BY THE CITY'S INSPECTION MANAGER BEFORE REQUESTING UTILITY SERVICE AND BEFORE A FINAL ACCEPTANCE LETTER WILL BE ISSUED. ALL AS-BUILT DRAWING PREPARATION SHALL BE INCIDENTAL TO PERFORMANCE OF THE TOTAL CONTRACT AND NO ADDITIONAL COMPENSATION WILL BE ALLOWED.

PROJECT SPECIFIC NOTES

- 1. THE IMPROVEMENTS UNDER THIS CONTRACT CONSIST OF THE INSTALLATION OF A POTABLE WATER MAIN, WASTEWATER MAIN, AND RELATED ITEMS AS IDENTIFIED IN THE CONTRACT DOCUMENTS.
2. SURVEY DATA INCLUDED IN THE CONTRACT DOCUMENTS WAS PROVIDED BY THE CITY OF TALLAHASSEE. HORIZONTAL CONTROL IS BASED UPON FLORIDA NORTH STATE PLANE COORDINATES (NAD 83). VERTICAL CONTROL IS BASED ON NAVD 1988 FROM THE CITY OF TALLAHASSEE.

ENGINEER OF RECORD
LANE P LUCAS
FL P.E. No. 63936
EUTAW, INC.
2419-FLEISCHMANN ROAD
TALLAHASSEE, FLORIDA 32308
FBPE REGISTRY # 9961

Table with 5 rows and 2 columns: ORIGINAL, REVISIONS. Includes date Jan 30, 2024 and revision numbers 1-5.

GENERAL NOTES

LEE AVENUE DRAINAGE IMPROVEMENT PROJECT

EUTAW, INC.
ENGINEERING-UTILITIES, TRANSPORTATION, AND WATER
2419 FLEISCHMANN ROAD, SUITE 1
TALLAHASSEE, FL 32308
PHONE : (850) 383-0400
WWW.EUTAWINC.COM
FBPE REGISTRY #9961

Table with 2 columns: JOB No., DRAWN, DESIGNED, CHECKED, QC. Values include LPL, MWH, LPL.

GENERAL PAY ITEM NOTES:

- 1. NO SEPARATE PAYMENT WILL BE MADE FOR DEWATERING. THE COSTS FOR DEWATERING SHALL BE INCLUDED IN THE UNIT PRICES FOR ANY ITEMS REQUIRING DEWATERING.
- 2. NO SEPARATE PAYMENT WILL BE MADE FOR FILTER FABRIC. THE COSTS FOR FILTER FABRIC SHALL BE INCLUDED IN THE UNIT PRICES FOR ANY ITEMS REQUIRING FILTER FABRIC.
- 3. NO SEPARATE PAYMENT WILL BE MADE FOR VIDEO TAPING PIPE CULVERTS. THE COSTS FOR VIDEO TAPING ARE INCLUDED IN THE UNIT PRICES FOR PIPE CULVERT.
- 4. ADDITIONAL QUANTITIES OF EROSION CONTROL AND/OR TREE PROTECTION ITEMS MAY BE NECESSARY AS DETERMINED DURING CONSTRUCTION BY THE CONTRACTOR, THE ENVIRONMENTAL INSPECTOR, OR BY THE ENGINEER AND MUST BE APPROVED BY THE ENGINEER.
- 5. UNIT PRICES FOR PIPES, CULVERTS, SEWER PIPE AND WATER MAIN INCLUDE THE COSTS FOR FURNISHING, INSTALLING, MAINTAINING AND REMOVAL OF 1.5 INCH MINIMUM THICKNESS OF ASPHALT PAVEMENT MILLINGS OR FINE TYPE SP ASPHALTIC CONCRETE AT THE GROUND SURFACE OF ALL PIPE AND BOX CULVERT TRENCHES IN PAVED AREAS FOR THE PURPOSE OF SEDIMENT AND EROSION CONTROL UNTIL THE FINAL PAVEMENT IS PLACED.

STORMWATER PAY ITEM NOTES:

101-1: MOBILIZATION
THE UNIT PRICE ALSO INCLUDES ALL COSTS FOR PREPARATION OF AN APPROVED CONSTRUCTION PROGRESS SCHEDULE, AN APPROVED EROSION CONTROL PLAN, AN APPROVED TRAFFIC CONTROL PLAN, AN APPROVED DEWATERING PLAN, THE PRECONSTRUCTION SURVEY, PREPARING AND SUBMITTING APPROVED SHOP DRAWINGS, AND FURNISHING, INSTALLING, AND REMOVING THE PROJECT SIGNS.

102-1: MAINTENANCE OF TRAFFIC
THE UNIT PRICE CONSTITUTES FULL COMPENSATION FOR ALL LABOR AND MATERIALS REQUIRED TO IMPLEMENT THE APPROVED TRAFFIC CONTROL PLAN TO SAFELY MAINTAIN TRAFFIC AROUND OR THROUGH THE WORK ZONE NOT INCLUDED FOR PAYMENT UNDER OTHER RELATED PAY ITEMS, INCLUDING WARNING AND REGULATORY SIGNS, MESSAGE BOARDS, DRUMS, BARRICADES, CHANNELIZING DEVICES, TEMPORARY CONCRETE BARRIER, WARNING LIGHTS, FLAGGERS, BUSINESS ENTRANCE SIGNS, MAINTENANCE OF EXISTING DRIVEWAYS, TEMPORARY PAVEMENT, TEMPORARY BARRICADES FENCING, REMOVAL AND REINSTALLATION OF EXISTING FENCING AND REMOVAL AND REINSTALLATION OF EXISTING SIGNS IN CONFLICT WITH CONSTRUCTION AS DIRECTED BY THE ENGINEER. NO ADJUSTMENTS WILL BE MADE TO THE CONTRACT PRICE FOR INCREASES IN CONTRACT TIME.

102-70: TEMPORARY BARRICADE FENCE (ORANGE)
THE UNIT PRICE CONSTITUTES FULL COMPENSATION FOR ALL LABOR AND MATERIALS NECESSARY FOR THE INSTALLATION, MAINTENANCE, AND REMOVAL OF TEMPORARY BARRICADE FENCE. THIS ITEM IS TO BE USED FOR PEDESTRIAN SAFETY, TREE PROTECTION, OR AS DIRECTED BY THE ENGINEER.

104-14: STORMWATER POLLUTION PREVENTION
THE UNIT PRICE CONSTITUTES FULL COMPENSATION FOR ALL LABOR AND MATERIALS NECESSARY FOR THE INSTALLATION AND MAINTENANCE OF EROSION AND SEDIMENT CONTROL DEVICES AS REQUIRED TO PREVENT THE OFF-SITE TRANSPORT OF SEDIMENT, INCLUDING SEDIMENT BARRIERS, SEDIMENT BASINS, AND CONTAINMENT SYSTEMS AS SHOWN ON THE PLANS AND/OR DESCRIBED IN THE STATE OF FLORIDA EROSION AND SEDIMENT CONTROL DESIGNER AND REVIEWER MANUAL. THE PRICE ALSO INCLUDES THE PERIODIC REMOVAL AND DISPOSAL OF ACCUMULATED SEDIMENT, AND REMOVAL AND DISPOSAL OFF-SITE OF EROSION AND SEDIMENT CONTROL MATERIALS, INCLUDING ROCK AND RUBBLE RIPRAP, AT COMPLETION OF CONSTRUCTION, FURNISHING AND PLACING SUITABLE MATERIAL AS REQUIRED TO FILL SEDIMENT SUMPS, ANY PERMITS AND FEES REQUIRED FOR OFF-SITE DISPOSAL, AND TURBIDITY MONITORING IN COMPLIANCE WITH THE ENVIRONMENTAL PERMITS.

110-1-1: CLEARING AND GRUBBING
THE UNIT PRICE ALSO INCLUDES REMOVAL AND DISPOSAL OF ASPHALT, BASE, SUB-BASE, CURBS, SIDEWALKS, DRIVEWAYS, DRAINAGE STRUCTURES, PIPES, FENCES, SANITARY SEWER PIPES & STRUCTURES, AND ALL OTHER STRUCTURES AND OBSTRUCTIONS NECESSARY TO BE REMOVED AND FOR WHICH OTHER ITEMS OF THE CONTRACT DO NOT SPECIFY THE REMOVAL THEREOF. PARTIAL PAYMENTS WILL BE BASED UPON THE ESTIMATED TOTAL VALUE OF WORK COMPLETED TO THE DATE OF THE ESTIMATE AS DETERMINED BY THE ENGINEER. ALL PARTIAL ESTIMATES AND PAYMENTS ARE SUBJECT TO CORRECTION IN SUBSEQUENT ESTIMATES AND PAYMENT. THE UNIT PRICE ALSO INCLUDES ALL COSTS FOR REMOVAL OF EXISTING FENCES AND RELOCATION OR REPLACEMENT WITH NEW FENCE OR WITH THE FENCING MATERIAL THAT WAS REMOVED IF IT IS UNDAMAGED, AND FOR THE RELOCATION OR REPLACEMENT OF MAILBOXES.

120-1 AND 120-6: REGULAR EXCAVATION AND EMBANKMENT. FINAL PAY QUANTITY WILL BE PLAN QUANTITY WITH NO CONSIDERATION FOR SPECIFICATION TOLERANCES.

120-4: SUBSOIL EXCAVATION/BACKFILL
THIS PAY ITEM IS INCLUDED AS A CONTINGENCY ONLY AND MUST BE AUTHORIZED BY THE OWNER. THE UNIT PRICE INCLUDES EXCAVATION AND BACKFILL IN THE EVENT THAT UNSUITABLE SOILS ARE ENCOUNTERED UNDER THE PROPOSED ROADWAY(S) OR STORM DRAIN ALIGNMENTS.

120-99 ENGINEERED EXCAVATION SUPPORT SYSTEM (EESS).
THE UNIT PRICE INCLUDES ALL PRE-CONSTRUCTION SURVEYS, PREPARATION AND SUBMITTAL OF STRUCTURAL ENGINEERING DESIGN AND DETAILS, MONITORING, LABOR, MATERIALS, INSTALLATION, AND REMOVAL OF THE EESS TO PROVIDE SAFE WORKING CONDITIONS IN THE AREAS IDENTIFIED AS SHOWN IN THE CONTRACT PLANS.

121-70 FLOWABLE FILL
FINAL PAY QUANTITY WILL BE PLAN QUANTITY WITH NO CONSIDERATION FOR SPECIFIC TOLERANCES.

286-1 TURNOUT CONSTRUCTION / BASE MATERIAL
THE UNIT PRICE INCLUDES ALL LABOR AND MATERIALS TO INSTALL LIMEROCK BASE (4" THICK) FOR ALL ASPHALT DRIVEWAYS DISTURBED DURING CONSTRUCTION. THE UNIT PRICE ALSO INCLUDES ALL LABOR AND MATERIALS TO INSTALL LIMEROCK BASE (4" THICK) FOR TEMPORARY DRIVEWAY USE AT 2012 LEE AVENUE.

334-1-12A, 334-1-12C, 334-1-12D, 334-1-12-SI: SUPERPAVE ASPHALTIC CONCRETE
THE UNIT PRICE ALSO INCLUDES ALL PAVEMENT MARKINGS INCLUDING TEMPORARY STRIPING DURING ASPHALT CURING PERIOD, REPLACEMENT OF TRAFFIC SIGNAL LOOP DETECTORS IF DISTURBED BY CONSTRUCTION, AND ADJUSTMENT OF ALL EXISTING UTILITY FRAMES AND COVERS AND ALL WATER AND GAS VALVE BOXES WITHIN THE LIMITS OF CONSTRUCTION TO BE FLUSH WITH FINISHED PAVEMENT. THE CONTRACTOR SHALL INSTALL THE PAVEMENT IN LAYERS AS SHOWN IN THE TYPICAL PAVEMENT RECONSTRUCTION SECTION(S).

334-1-12-S2: SUPERPAVE ASPHALTIC CONCRETE
THIS PAY ITEM IS CONSISTENT WITH SECTION 334 OF THE STANDARD SPECIFICATIONS WITH THE EXCEPTION THAT THE PAVEMENT DEPTH IS NOT A CONSTANT VALUE AND INSTEAD SHALL BE DESIGNATED AS THE AVERAGE DEPTH ACROSS THE SPEED HUMP. THE UNIT PRICE ALSO INCLUDES ALL PAVEMENT MARKINGS INCLUDING TEMPORARY STRIPING DURING ASPHALT CURING PERIOD, REPLACEMENT OF TRAFFIC SIGNAL LOOP DETECTORS IF DISTURBED BY CONSTRUCTION, AND ADJUSTMENT OF ALL EXISTING UTILITY FRAMES AND COVERS AND ALL WATER AND GAS VALVE BOXES WITHIN THE LIMITS OF CONSTRUCTION TO BE FLUSH WITH FINISHED PAVEMENT. THE CONTRACTOR SHALL INSTALL THE PAVEMENT IN LAYERS AS SHOWN IN THE SPEED HUMP DETAIL AND TYPICAL PAVEMENT RECONSTRUCTION SECTION(S).

425-1-311, 425-1-351, 425-1-361, 425-1-413, 425-1-423, 425-1-453, 425-1-462: CURB INLETS
THE UNIT PRICE CONSTITUTES FULL COMPENSATION FOR ALL LABOR AND MATERIALS NECESSARY TO FURNISH AND INSTALL CURB INLETS AS SHOWN ON THE PLANS, INCLUDING EXCAVATION, SHEETING AND/OR SHORING, DEWATERING, COVERS AND FRAMES, GROUT, AND RISER AND/OR STRUCTURE BOTTOMS. UNLESS OTHERWISE NOTED IN THE PLANS, THE UNIT PRICE ALSO INCLUDE ALL COSTS FOR FURNISHING AND INSTALLING TWO-PIECE COVERS AND FRAMES WITH 3'-0 OPENINGS WHEN THE DEPTH OF THE STRUCTURE EXCEEDS 5'-0. NO ADJUSTMENT IN THE CONTRACT UNIT COST WILL BE MADE FOR PRECAST CONSTRUCTION.

425-1-521, 425-1-523, 425-1-541, 425-1-543, 425-1-544: DITCH BOTTOM INLETS
THE UNIT PRICE CONSTITUTES FULL COMPENSATION FOR ALL LABOR AND MATERIALS NECESSARY TO FURNISH AND INSTALL DITCH BOTTOM INLETS, INCLUDING EXCAVATION, SHEETING AND/OR SHORING, DEWATERING, AND INSTALLING TRAFFIC BEARING GRATES. THE UNIT PRICES FOR DITCH BOTTOM INLETS WITH MODIFIED NON-TRAVERSABLE SLOTS ALSO INCLUDE ALL COSTS FOR FURNISHING AND INSTALLING 1 INCH DIAMETER POWDER COATED STEEL BARS CAST INTO THE STRUCTURES AS SHOWN IN THE PLANS AND DETAILS. THE UNIT PRICE INCLUDES ALL CONCRETE AS SHOWN IN THE PLANS AND DETAILS.

425-2-61, 425-2-91, 425-2-92: MANHOLES AND JUNCTION BOXES
UNLESS OTHERWISE NOTED IN THE PLAN, THE UNIT PRICES ALSO INCLUDE ALL COSTS FOR FURNISHING AND INSTALLING TWO-PIECE COVERS AND FRAMES WITH 3'-0" OPENINGS WHEN THE DEPTH OF THE STRUCTURE EXCEEDS 5'-0".

430-174-115: PIPE CULVERT, OPTIONAL MATERIAL (15")
THE UNIT PRICE ALSO INCLUDES FITTINGS, BENDS, AND/OR COUPLERS TO CONNECT TO THE EXISTING 15" DRAIN PIPE.

430-174-136, 430-174-148: PIPE CULVERT, OPTIONAL MATERIAL
THE UNIT PRICES ALSO INCLUDE PAYMENT FOR SHEETING AND/OR SHORING (UNLESS DESIGNATED FOR PAYMENT UNDER 120-99), DEWATERING, FILTER FABRIC, FURNISHING, PLACING AND COMPACTING SELECT BEDDING MATERIAL, AND FURNISHING SELECT MATERIAL FOR BACKFILL WHEN SUITABLE MATERIAL IS NOT AVAILABLE ON SITE.

430-175-118, 430-175-124, 430-175-130, 430-175-136, 430-175-148: PIPE CULVERT, REINFORCED CONCRETE PIPE
THE UNIT PRICE INCLUDES PAYMENT FOR SHEETING AND/OR SHORING (UNLESS DESIGNATED FOR PAYMENT UNDER 999-1), DEWATERING, FILTER FABRIC, PLACING AND COMPACTING SELECT BEDDING MATERIAL, AND FURNISHING SELECT MATERIAL FOR BACKFILL WHEN SUITABLE MATERIAL IS NOT AVAILABLE ON SITE.

430-832-1 MASONRY PIPE PLUG
THE UNIT PRICES CONSTITUTE FULL COMPENSATION FOR ALL LABOR AND MATERIALS REQUIRED TO INSTALL MASONRY PLUGS IN PIPES.

430-834-1 CONCRETE COLLARS & JACKETS
THE UNIT PRICES CONSTITUTE FULL COMPENSATION FOR ALL LABOR AND MATERIALS REQUIRED TO INSTALL CONCRETE COLLARS FOR JOINING MAINLINE PIPES AND STUB PIPES, AND FOR INSTALLING CONCRETE JACKETS FOR CONNECTING DISSIMILAR TYPES OF PIPE AND FOR CONNECTING CONCRETE PIPES WITH DISSIMILAR JOINTS.

524-1-49: CONCRETE DITCH PAVING, 6" REINFORCED
THE UNIT PRICE WILL INCLUDE PAYMENT FOR ALL LABOR AND MATERIALS NECESSARY TO FURNISH AND INSTALL THE CONCRETE DITCH PAVEMENT, INCLUDING BUT NOT LIMITED TO DEWATERING, FILTER FABRIC, FURNISHING, PLACING AND COMPACTING SELECT BEDDING MATERIAL AND COARSE AGGREGATE AND REINFORCING WHEN REQUIRED.

556-1: PIPE CULVERT, STEEL (0.5"), 36" (JACK & BORE)
JACKING & BORING SHALL BE MEASURED FOR PAYMENT IN LINEAR FEET ALONG THE CENTER-LINE OF THE PIPE MEASURED FROM THE STRUCTURE FACE TO STRUCTURE FACE AND SHALL NOT BE CLASSIFIED FOR PAYMENT ACCORDING TO DEPTH. THE UNIT PRICE CONSTITUTES FULL COMPENSATION FOR FURNISHING AND PLACING ALL MATERIALS FOR ALL JACKING & BORING; FOR ALL EXCAVATION AND BACKFILL; FOR DISPOSAL OF ALL SURPLUS MATERIALS; AND FOR ALL LABOR, TOOLS, EQUIPMENT AND INCIDENTALS NECESSARY TO COMPLETE THE WORK, ALL IN ACCORDANCE WITH THE PLANS AND THESE SPECIFICATIONS. THE CONTRACTOR SHALL ONLY BE PAID FOR THE LIMITS AS SHOWN ON THE PLANS. ANY OVERRUN, EXCEPT AS APPROVED BY THE OWNER, SHALL BE AT THE CONTRACTOR'S EXPENSE.

570-1-2: PERFORMANCE TURF, SOD, CENTIPEDE AND ST. AUGUSTINE
THE UNIT PRICES CONSTITUTE FULL COMPENSATION FOR ALL LABOR, MATERIALS, AND INCIDENTALS REQUIRED FOR ESTABLISHING A STAND OF GRASS BY SODDING IN ACCORDANCE WITH SECTION 570 OF THE STANDARD SPECIFICATIONS, INCLUDING FURNISHING AND PLACING SOD, PEGGING WHEN SPECIFIED IN THE PLANS, LAPPING AND PINNING WHEN SLOPE IS 2:1 OR GREATER, AND FURNISHING AND APPLYING FERTILIZER AND WATER. THE UNIT PRICES ALSO INCLUDES MAINTENANCE, INCLUDING LITTER REMOVAL AND MOWING UNTIL FINAL ACCEPTANCE. SOD GRASS TYPE TO MATCH EXISTING ADJACENT GRASS TYPE. SOD WITH NETTING SHALL NOT BE USED.

WATER AND SEWER PAY ITEM NOTES:

GSS-01-0804-PVC-40 SEWER SERVICES (4")
THIS ITEM IS INCLUDED TO ADJUST SEWER LATERALS THAT MAY CONFLICT WITH PROPOSED IMPROVEMENTS. THE UNIT PRICE INCLUDES ALL LABOR AND MATERIAL TO RECONFIGURE AND RECONNECT EXISTING SEWER LATERALS WITHIN THE PROJECT LIMITS.

GSM-02-0606-PVC 6" GRAVITY SEWER SERVICE
THIS ITEM IS INCLUDED TO REMOVE AND REPLACE THE EXISTING SEWER SERVICE BETWEEN 2007 AND 2009 TRECSCOTT DRIVE (BETWEEN DRAINAGE STRUCTURES S-40, S-41, AND S-42). THE UNIT PRICE INCLUDES ALL LABOR AND MATERIAL TO REMOVE AND REPLACE THE EXISTING 6" SERVICE, INCLUDING THE INSTALLATION OF A 6" CLEANOUT AT THE END OF THE SERVICE.

ENGINEER OF RECORD
LANE P. LUCAS
FL P.E. No. 53936
Eutaw, Inc.
2419 FLEISCHMANN ROAD
TALLAHASSEE, FL 32308
(850) 383-0400
FBPE REGISTRY # 9961

ORIGINAL Feb. 19, 2024

REVISIONS:

1
2
3
4
5

PAY ITEM NOTES

LEE AVENUE DRAINAGE IMPROVEMENT PROJECT

EUTAW, INC
ENGINEERING-UTILITIES, TRANSPORTATION, AND WATER
2419 FLEISCHMANN ROAD, STE. I
TALLAHASSEE, FL 32308
PHONE: (850) 383-0400
WWW.EUTAWINC.COM
FBPE REGISTRY #9961

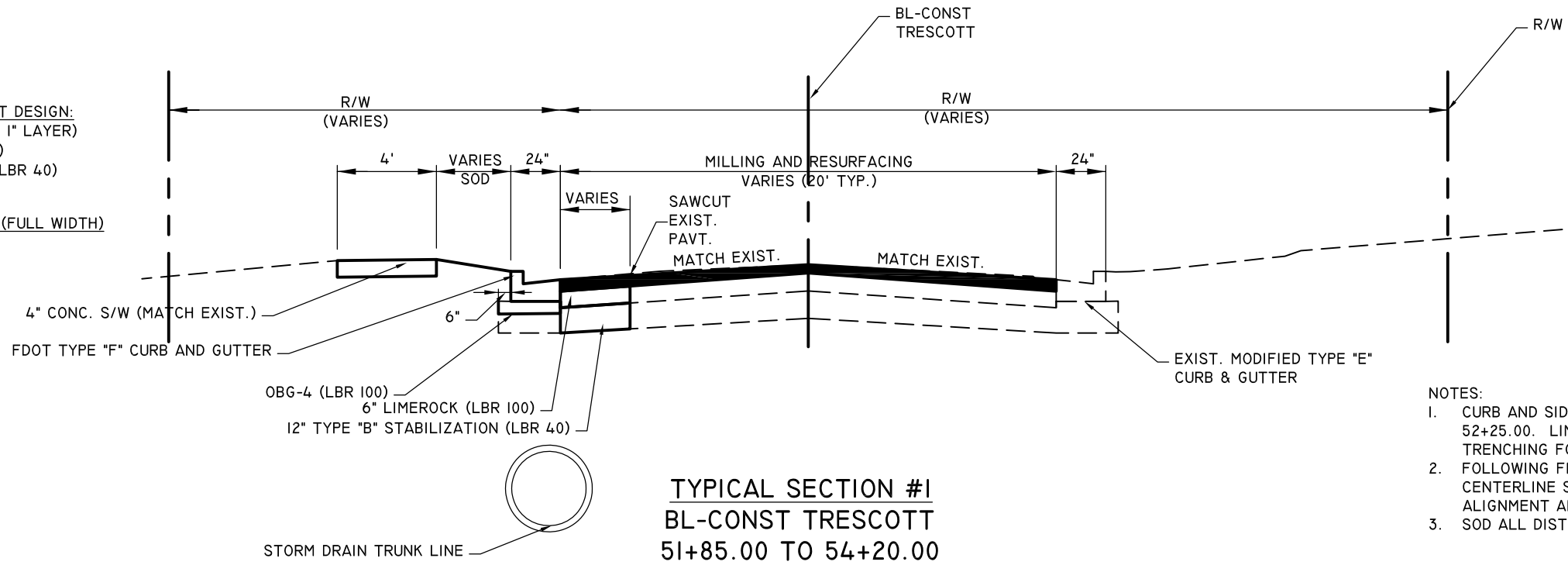
JOB No. _____
DRAWN LPL
DESIGNED LPL
CHECKED MWH
qc LPL

SHEET 5

DATE PLOTTED: 01/30/2024 05:33:37 PM
 D:\EUTAW\DOT\Stamwatt\Lee Avenue\Lee Avenue.dwg

RECONSTRUCTION PAVEMENT DESIGN:
 2.5" SP-9.5 (1.5" LAYER AND 1" LAYER)
 6" LIMEROCK BASE (LBR 100)
 12" TYPE B STABILIZATION (LBR 40)

MILLING AND RESURFACING (FULL WIDTH)
 MILL 1"
 RESURFACE 1" SP-9.5

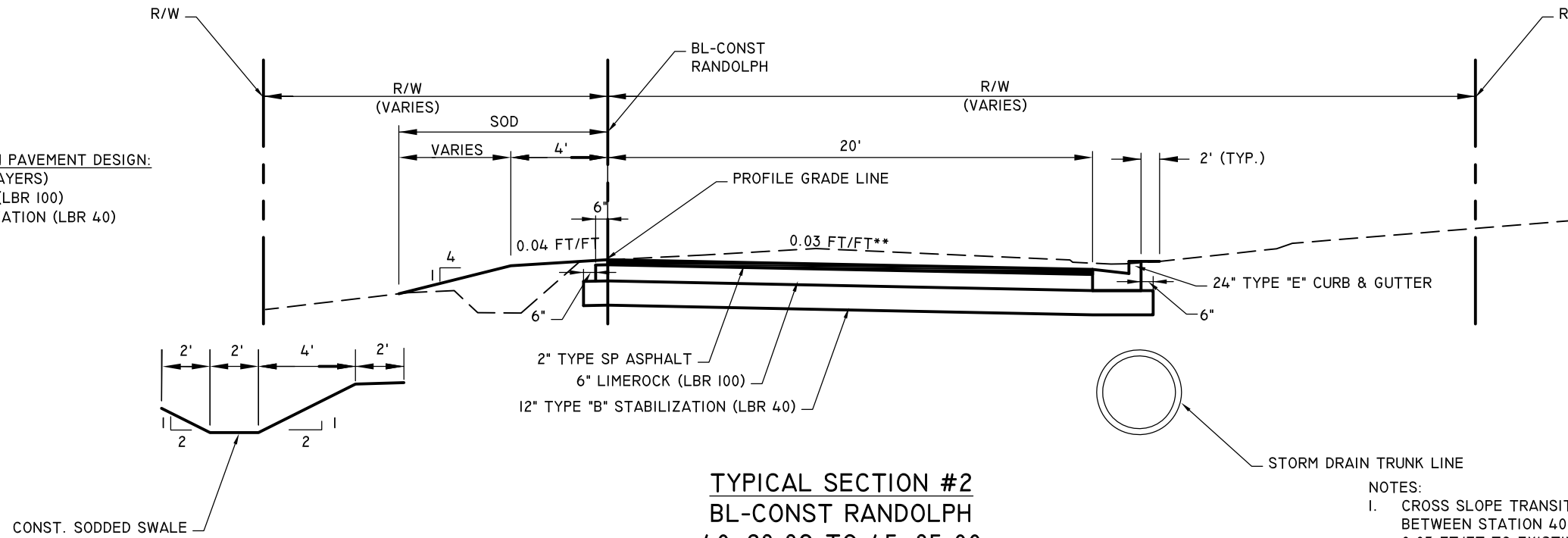


TYPICAL SECTION #1
BL-CONST TRECSCOTT
51+85.00 TO 54+20.00

NOTES:

1. CURB AND SIDEWALK CONSTRUCTION BEGINS AT STATION 52+25.00. LIMITS OF BASE AND STABILIZATION DEPENDENT ON TRENCHING FOR PIPE AND INLET INSTALLATION.
2. FOLLOWING FINAL SURFACING, INSTALL 6" DOUBLE YELLOW CENTERLINE STRIPING. MATCH EXISTING MARKINGS IN ALIGNMENT AND COLOR.
3. SOD ALL DISTURBED AREAS.

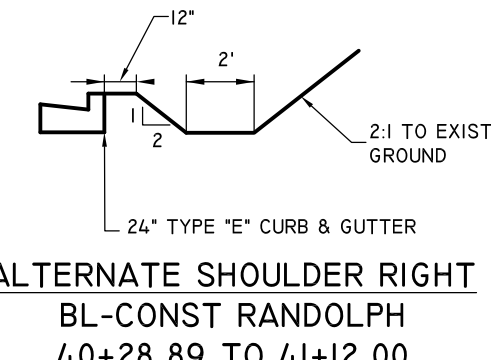
NEW CONSTRUCTION PAVEMENT DESIGN:
 2" SP-9.5 (TWO 1" LAYERS)
 6" LIMEROCK BASE (LBR 100)
 12" TYPE B STABILIZATION (LBR 40)



TYPICAL SECTION #2
BL-CONST RANDOLPH
40+28.89 TO 45+85.00

NOTES:

1. CROSS SLOPE TRANSITIONS FROM EXISTING CROSS SLOPE TO 0.03 FT/FT BETWEEN STATION 40+28.84 AND 41+40. CROSS SLOPE TRANSITIONS FROM 0.03 FT/FT TO EXISTING CROSS SLOPE BETWEEN STATION 44+85 AND 45+85.
2. SOD ALL DISTURBED AREAS.



ALTERNATE SHOULDER RIGHT
BL-CONST RANDOLPH
40+28.89 TO 41+12.00

SODDED SWALE (LT)
40+56 TO 40+65

ENGINEER OF RECORD
 LANE P. LUCAS
 F.L.P.E. No. 53936
EUTAW, INC.
 2419-1 Fleischmann Road
 Tallahassee, Florida 32308
 TEL: 904-209-8888
 FBPE REGISTRY # 9961

REVISIONS:	DATE	BY
1	Jan 30, 2024	
2		
3		
4		
5		

TYPICAL SECTIONS

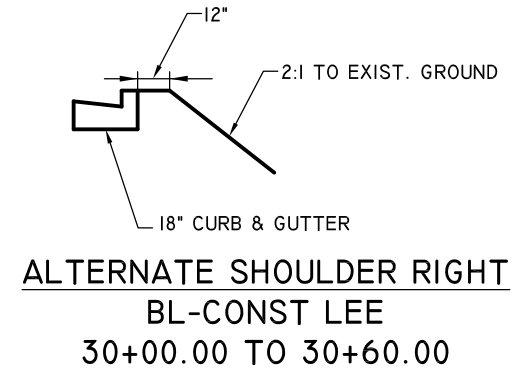
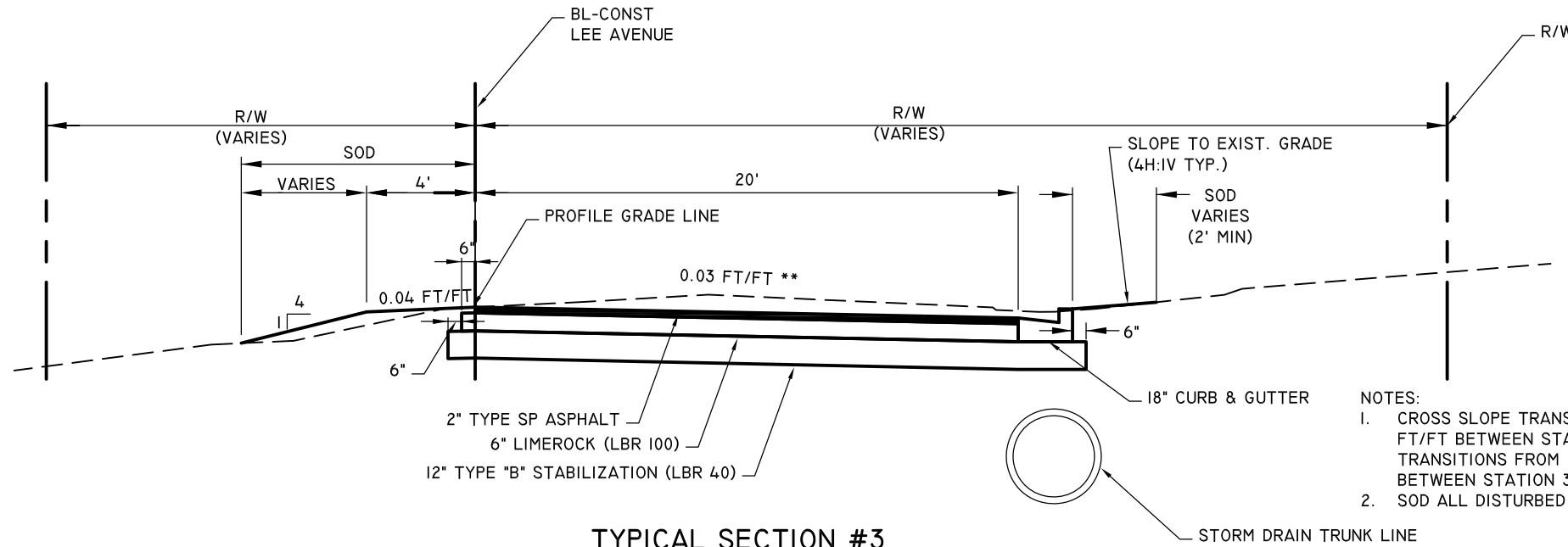
LEE AVENUE DRAINAGE IMPROVEMENT PROJECT

EUTAW, INC.
 ENGINEERING-UTILITIES, TRANSPORTATION, AND WATER
 2419 FLEISCHMANN ROAD, STE. 1
 TALLAHASSEE, FL 32308
 PHONE : (850) 383-0400
 WWW.EUTAWINC.COM
 FBPE REGISTRY #9961

JOB No.	
DRAWN	LPL
DESIGNED	LPL
CHECKED	MWH
QC	LPL

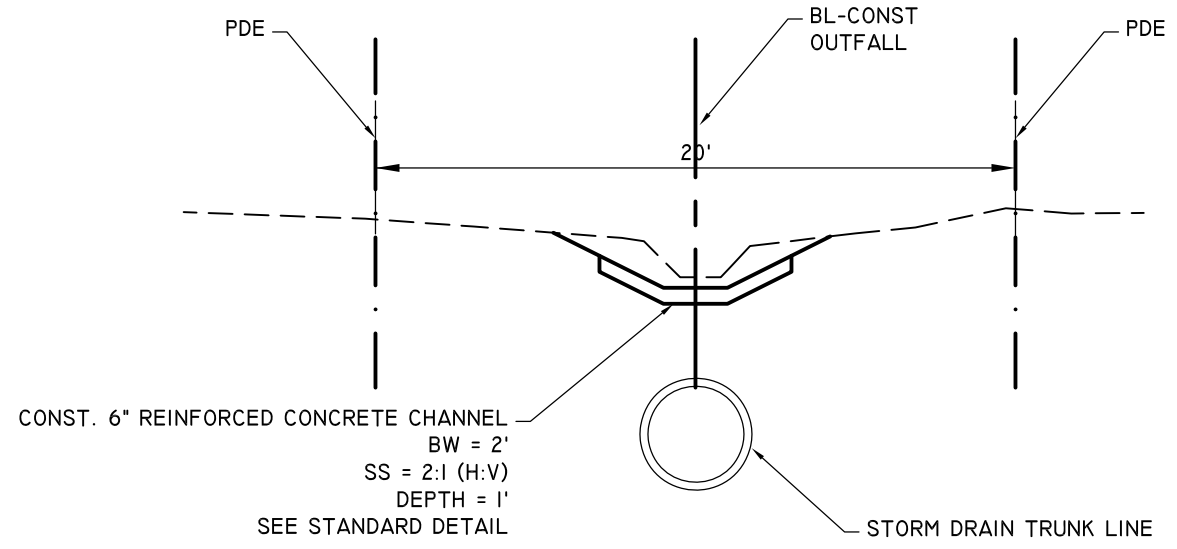
SHEET **6**

NEW CONSTRUCTION PAVEMENT DESIGN:
 2" SP-9.5 (TWO 1" LAYERS)
 6" LIMEROCK BASE (LBR 100)
 12" TYPE B STABILIZATION (LBR 40)



NOTES:
 1. CROSS SLOPE TRANSITIONS FROM EXISTING CROSS SLOPE TO 0.03 FT/FT BETWEEN STATION 30+00 AND 31+00. CROSS SLOPE TRANSITIONS FROM 0.03 FT/FT TO EXISTING CROSS SLOPE BETWEEN STATION 37+00 AND 38+11.96.
 2. SOD ALL DISTURBED AREAS.

TYPICAL SECTION #3
BL-CONST LEE AVENUE
30+00.00 TO 38+11.96



TYPICAL SECTION #4
OUTFALL CHANNEL
BL-CONST OUTFALL
12+92.70 TO 15+95.00

ENGINEER OF RECORD
 LANE P. LUCAS
 F.L.P.E. No. 53836
EUTAW, INC.
 2419-1 Fleischmann Road
 Tallahassee, Florida 32308
 FBPE REGISTRY # 9961

ORIGINAL Jan 30, 2024

REVISIONS:	DATE	DESCRIPTION
1		
2		
3		
4		
5		

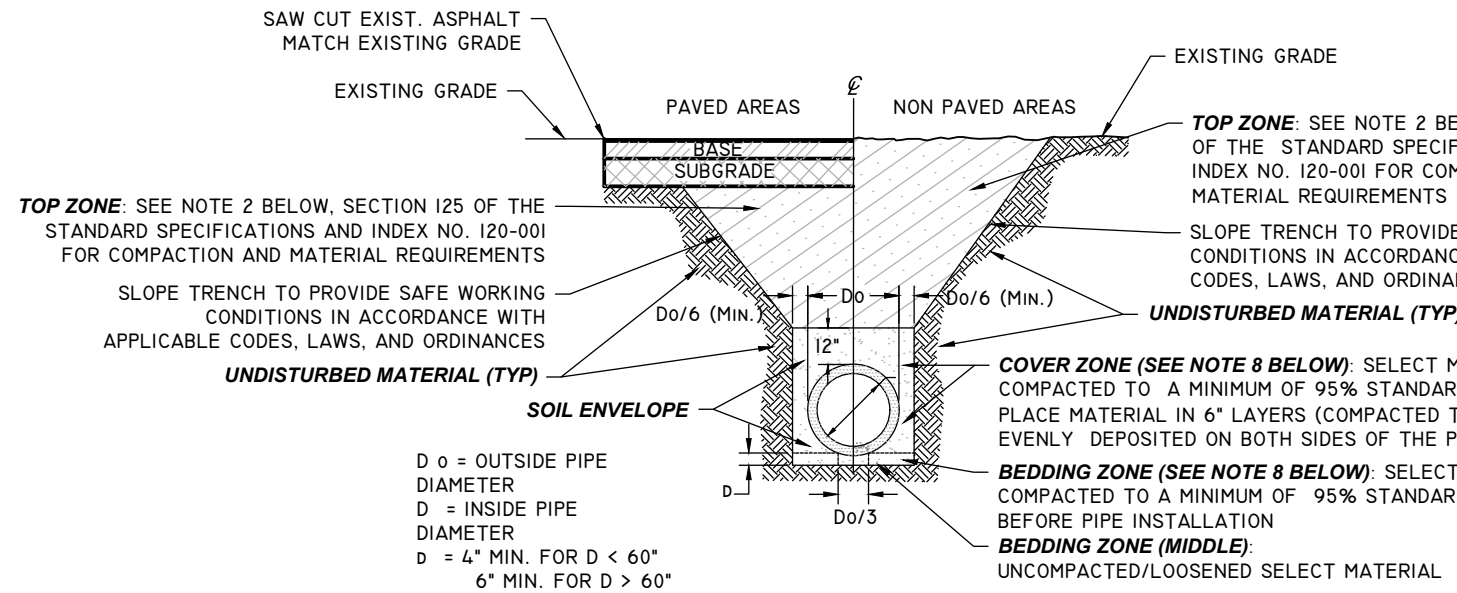
TYPICAL SECTIONS

LEE AVENUE
 DRAINAGE
 IMPROVEMENT
 PROJECT

EUTAW, INC.
 ENGINEERING-UTILITIES, TRANSPORTATION, AND WATER
 2419 FLEISCHMANN ROAD, STE. 1
 TALLAHASSEE, FL 32308
 PHONE : (850) 383-0400
 WWW.EUTAWINC.COM
 FBPE REGISTRY #9961

JOB No.	
DRAWN	LPL
DESIGNED	LPL
CHECKED	MWH
QC	LPL

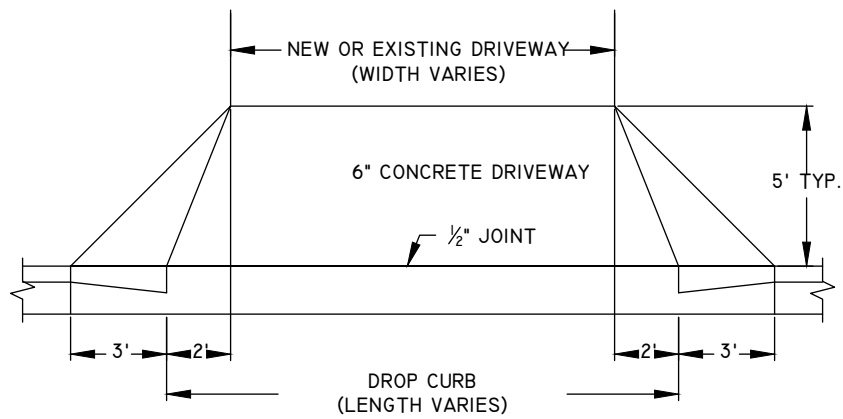
SHEET 7



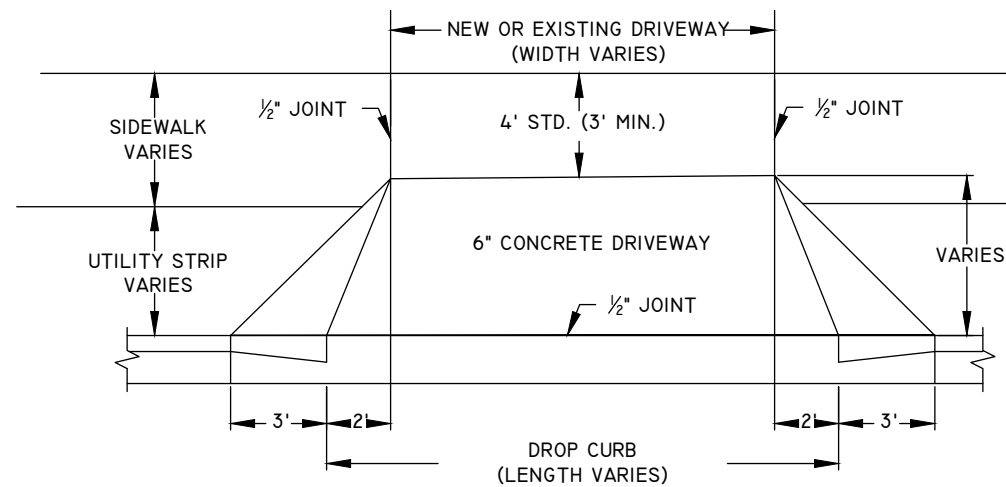
STORM DRAIN PIPE INSTALLATION
N.T.S.

NOTES:

1. THE SOIL ENVELOPE SHALL USE MATERIAL MEETING AASHTO CLASSIFICATION OF A-1 SAND, A-3, OR A-2-4. FOR REINFORCED CONCRETE PIPE WITH DIAMETERS 30-INCHES OR GREATER, THE CONTRACTOR MAY CHOOSE TO REDUCE THE COVER ZONE TO THE SPRINGLINE OF THE PIPE. COST FOR SELECT MATERIAL FOR THE SOIL ENVELOPE SHALL BE INCLUDED IN THE CONTRACT UNIT PRICES ASSOCIATED WITH THIS WORK.
2. THE TOP ZONE SHALL USE MATERIAL AS DEFINED IN INDEX NO. 120-001. NO A-4 MATERIAL SHALL BE PLACED BELOW THE WATER LEVEL. IF PLACED BELOW THE WATER LEVEL, A-2-4 MATERIAL MUST BE NONPLASTIC AND CONTAIN LESS THAN 15% PASSING THE NO. 200 SEIVE. IN PAVED AREAS HIGH PLASTIC AND/OR MUCK MATERIALS WILL NOT BE ALLOWED AS BACKFILL. IN NON-PAVED AREAS MUCK MATERIAL WILL NOT BE ALLOWED AS BACKFILL, UNLESS SPECIFICALLY SHOWN OTHERWISE IN THE PLANS OR SPECIFICATIONS, (E.G., LITTORAL SHELVES AND WETLAND RESTORATION AREAS).
3. TRENCHES ARE TO BE EXCAVATED IN ACCORDANCE WITH SUBARTICLE 125-4.4 OF THE STANDARD SPECIFICATIONS.
4. IF THE TRENCH IS OVEREXCAVATED, BACKFILL AND RECOMPACT IN ACCORDANCE WITH SECTION 125-9.2.1. MUCK AND ORGANIC MATERIAL SHALL NOT BE ALLOWED AS BACKFILL IN OVEREXCAVATED AREAS.
5. HAND DIG FOR BELL JOINTS. BEARING FROM JOINT TO JOINT WILL NOT BE ALLOWED.
6. PIPES ARE TO BE INSTALLED IN DRY TRENCHES. OPEN TRENCH PUMPING FOR DEWATERING SHALL NOT BE ALLOWED WITHOUT PRIOR APPROVAL OF THE ENGINEER.
7. BACKFILL SHALL BE PLACED IN LIFTS THIN ENOUGH TO ALLOW COMPACTION TO BE ACHIEVED. LIFTS IN EXCESS OF TWELVE INCHES, MEASURED LOOSE, SHALL NOT BE ALLOWED.
8. IF THE PIPE IS BENEATH OR WITHIN 5-FEET OF ANY BUILDING, COMPACT TO 100% STANDARD PROCTOR. IF THE PIPE IS NEAR ANY STRUCTURE, COMPACT TO 100% STANDARD PROCTOR FOR A DISTANCE OF AT LEAST ONE PIPE DIAMETER, BUT NOT LESS THAN THREE FEET FROM THE OUTSIDE FACE OF THE STRUCTURE.
9. BEFORE PLACING SOD IN GRASSED AREAS, PROVIDE A THREE-INCH MINIMUM THICK LAYER OF TOPSOIL THAT IS SUFFICIENTLY LOOSE TO PROMOTE ROOT GROWTH.



TURNOUT WITHOUT SIDEWALK
N.T.S.



TURNOUT WITH SIDEWALK
N.T.S.

CONCRETE DRIVEWAYS

NOTES

1. TURNOUTS, DRIVEWAYS, AND SIDEWALKS WITHIN DRIVEWAYS SHALL BE 6" THICK.
2. THE MAXIMUM CROSS SLOPES OF SIDEWALKS WITHIN DRIVEWAYS SHALL BE 2.00%.
3. ALL 1/2" JOINTS SHALL BE CONSTRUCTED WITH PREFORMED JOINT FILLER.
4. WHERE TURNOUTS ARE CONSTRUCTED WITHIN EXISTING CURB AND GUTTER, THE EXISTING CURB AND GUTTER SHALL BE REMOVED TO THE NEAREST JOINT BEYOND EACH FLARE POINT OR TO THE EXTENT THAT NO REMAINING SECTION OF CURB AND GUTTER IS LESS THAN 5' LONG. NEW CURB AND GUTTER AND DROP CURB SHALL BE CONSTRUCTED WITHIN THE LIMITS OF REMOVAL.
5. PAYMENT FOR TURNOUTS WILL BE UNDER THE CONTRACT UNIT PRICE FOR CONCRETE SIDEWALK (6" THICK), SY. COST FOR THE PREFORMED JOINT FILLER SHALL BE INCLUDED IN THE CONTRACT UNIT PRICE FOR CONCRETE SIDEWALK.



PAVEMENT SECTION
1-1/4" SP-9.5
4" LIMEROCK BASE (LBR 100)

ASPHALT DRIVEWAYS

NOTES

1. SAWCUT ALL EXISTING ASPHALT DRIVEWAYS.
2. DRIVEWAYS TO MATCH EXISTING WIDTHS.
3. SEE DRIVEWAY PROFILES FOR VERTICAL ALIGNMENT.

ENGINEER OF RECORD
 LANE P. LUCAS
 F.L.P.E. No. 53836
 EUTAW, INC.
 2419-1 Fleischmann Road
 Tallahassee, Florida 32308
 FBPE REGISTRY # 9961

ORIGINAL	REVISIONS
1	
2	
3	
4	
5	

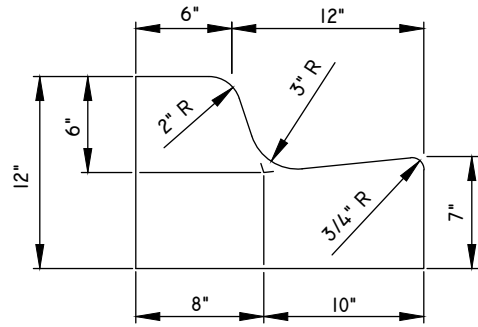
TYPICAL DETAILS

PROJECT
**LEE AVENUE
 DRAINAGE
 IMPROVEMENT
 PROJECT**

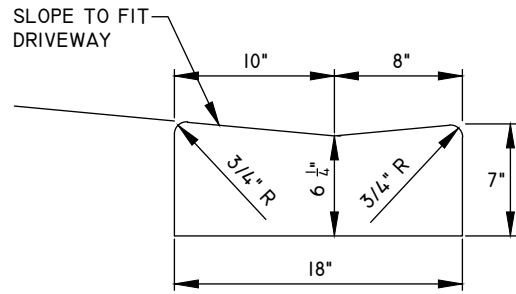
EUTAW, INC.
 ENGINEERING-UTILITIES TRANSPORTATION AND WATER
 2419 FLEISCHMANN ROAD, STE. 1
 TALLAHASSEE, FL 32308
 PHONE : (850) 383-0400
 WWW.EUTAWINC.COM
 FBPE REGISTRY #9961

JOB No.	
DRAWN	LPL
DESIGNED	LPL
CHECKED	MWH
QC	LPL

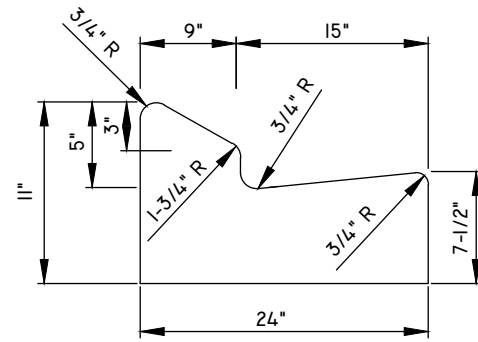
SHEET
8



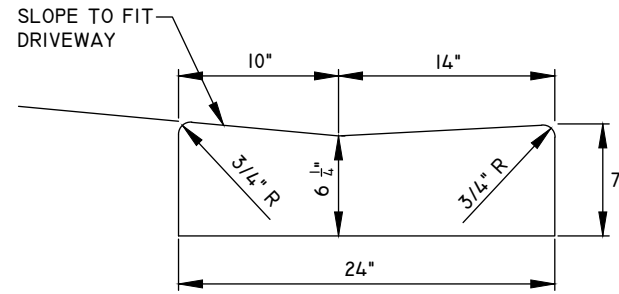
18" CURB AND GUTTER
N.T.S.



NOTE: TO BE PAID FOR AS PARENT CURB.
18" DROP CURB
N.T.S.

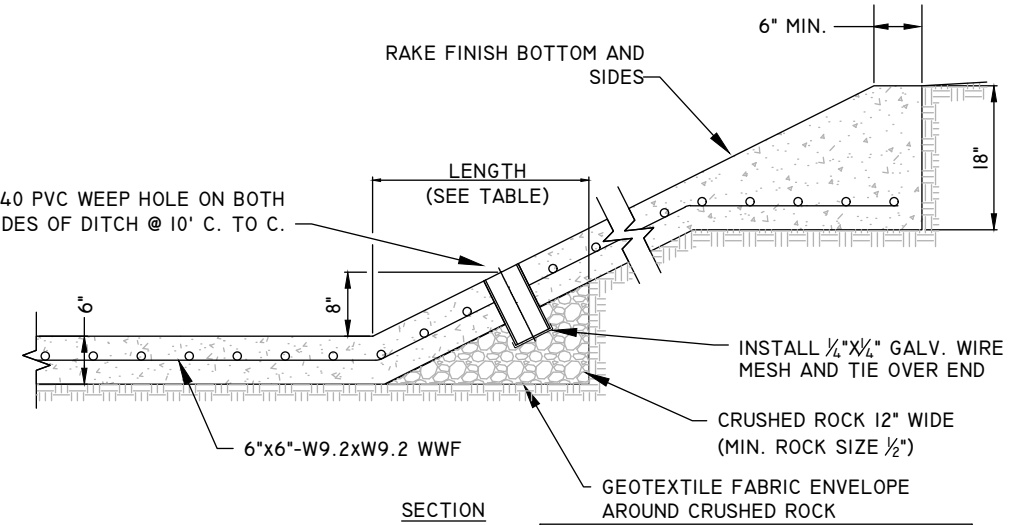


24" TYPE "E" CURB AND GUTTER
N.T.S.



NOTE: TO BE PAID FOR AS PARENT CURB.
24" DROP CURB
N.T.S.

4" DIA. SCH. 40 PVC WEEP HOLE ON BOTH SIDES OF DITCH @ 10' C. TO C.



CONCRETE DITCH PAVEMENT
N.T.S.

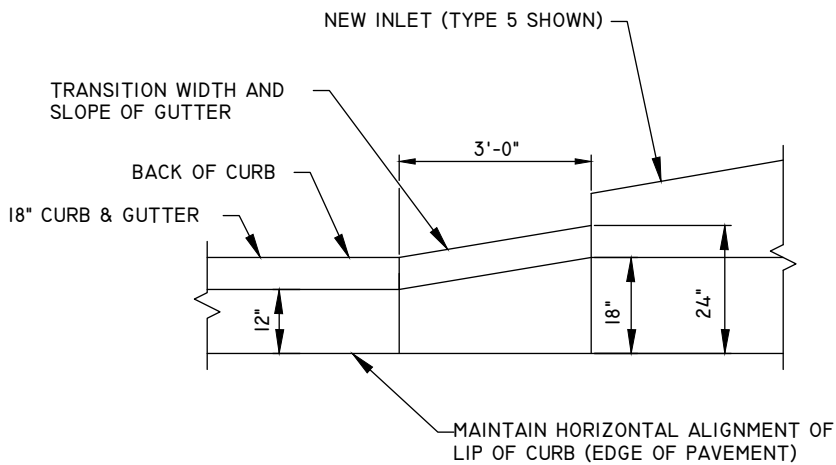
WEEP HOLE LENGTH AND CRUSHED ROCK QUANTITIES		
SIDE SLOPE	LENGTH	CRUSHED ROCK
2H:IV	2.25 FT	1.14 CU.FT.
3H:IV	2.75 FT	1.20 CU.FT.
4H:IV	3.25 FT	1.29 CU.FT.

QUANTITIES LISTED ARE FOR INFORMATION ONLY.

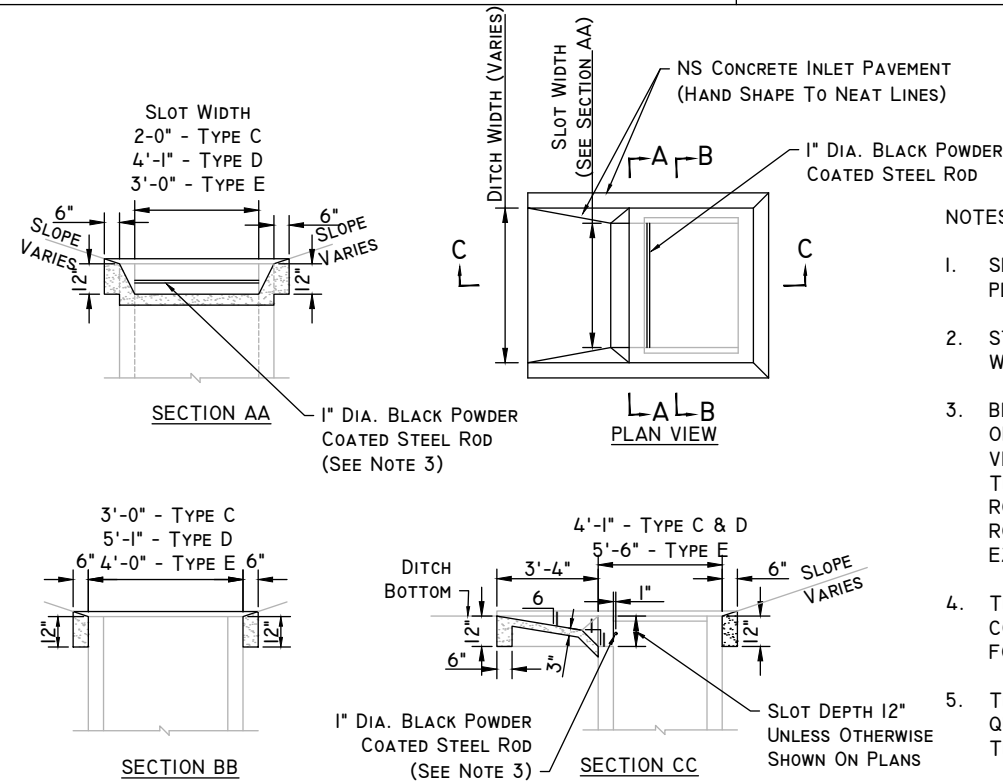
ENGINEER OF RECORD
LANE P. LUCAS
FL P.E. No. 53836
EUTAW, INC.
2419-1 Fleischmann Road
Tallahassee, Florida 32308
FPBE REGISTRY # 9961

ORIGINAL Dec 02, 2023
REVISIONS

TYPICAL DETAILS



18" CURB & GUTTER TRANSITION AT CURB INLETS
N.T.S.



NOTES:

- SLOTS MAY BE CONSTRUCTED ON EITHER OR BOTH ENDS OF INLETS AS SHOWN ON THE PLANS.
- STEEL GRATES MEETING HS-20 LOADING REQUIREMENTS ARE TO BE USED ON ALL INLETS WITH SLOTS, UNLESS NOTED OTHERWISE ON THE PLANS.
- BLACK POWDER COATED STEEL RODS ARE TO BE INSTALLED HORIZONTALLY ACROSS EACH OPENING WITH A SLOT DEPTH GREATER THAN 8". THE RODS ARE TO BE LOCATED VERTICALLY SUCH THAT THE SPACING BETWEEN THE RODS AND THE TOP AND BOTTOM OF THE SLOT OPENING ARE EQUAL. WHEN THE SLOT DEPTH IS GREATER THAN 12", MULTIPLE RODS SHALL BE PROVIDED AND LOCATED SUCH THAT THE VERTICAL SPACING BETWEEN THE RODS AND BETWEEN THE RODS AND THE TOP AND BOTTOM OF THE SLOT OPENING DO NOT EXCEED 6".
- THE COST OF SLOTS AND THE COSTS FOR FURNISHING AND INSTALLING BLACK POWDER COATED STEEL RODS, WHEN REQUIRED, IS TO BE INCLUDED IN THE CONTRACT UNIT PRICE FOR THE INLET.
- THE CONCRETE QUANTITIES LISTED ARE PROVIDED FOR INFORMATION ONLY. THE QUANTITIES ARE BASED ON A 4' WIDE DITCH AND ON A 12" NONTRAVERSABLE SLOT DEPTH. THE QUANTITIES MAY VARY FOR DIFFERENT DITCH WIDTHS AND SLOT DEPTHS.

QUANTITIES NS CONCRETE INLET PAVEMENT		
INLET TYPE	SINGLE	DOUBLE
C	0.51 CY	0.72 CY
D	0.58 CY	0.79 CY
E	0.60 CY	0.81 CY

MODIFIED NON-TRAVERSABLE SLOTS FOR DITCH BOTTOM INLETS
(PRECAST TYPE D INLETS SHOWN - TYPES C AND E SIMILAR)
N.T.S.

SHEET

LEE AVENUE
DRAINAGE
IMPROVEMENT
PROJECT

PROJECT

EUTAW, INC.
ENGINEERING-UTILITIES, TRANSPORTATION, AND WATER
2419 FLEISCHMANN ROAD, STE. 1
TALLAHASSEE, FL 32308
PHONE: (850) 383-0400
WWW.EUTAWINC.COM
FPBE REGISTRY #9961

JOB No. _____
DRAWN LPL
DESIGNED LPL
CHECKED MWH
QC LPL

SHEET

9

DATE: 12/02/2023 09:37:18 AM
 USER: LPL
 PROJECT: Stormwater Lee Avenue Drainage Improvement Project Layout.dwg

BEGIN BL-CONST OUTFALL
 STA. 10+00.00
 N = 533,948.5055
 E = 2,042,124.8793

END BL-CONST TRECSCOTT
 STA. 54+68.18
 N = 533,897.7775
 E = 2,042,312.2860

END BL-CONST RANDOLPH
 STA. 46+04.44
 N = 533,831.4931
 E = 2,042,784.2277

END BL-CONST LEE
 STA. 38+12
 N = 533,627.8969
 E = 2,043,240.8160

BEGIN BL-CONST TRECSCOTT
 STA. 50+00.00
 N = 533,503.5123
 E = 2,042,059.7996

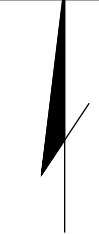
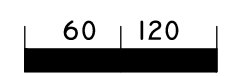
BEGIN BL-CONST RANDOLPH
 STA. 40+00.00
 N = 533,337.8614
 E = 2,042,447.3962

END BL-CONST OUTFALL
 STA. 21+77.39
 N =
 E =

CURVE #1
 PI = 34+47.44
 PC = 30+59.43
 PT = 37+43.37
 R = 580.000
 L = 683.938
 DELTA = 067° 33' 48.2"

CURVE #2
 PI = 42+48.99
 PC = 40+04.48
 PT = 44+84.93
 R = 1050.000
 L = 480.453
 DELTA = 026° 13' 01.4"

BENCHMARK# 1 SET NAIL & DISC CITY OF TALLAHASSEE PERMANENT REFERENCE IN TELEPHONE POLE ELEVATION 175.22' (N.A.V.D. 88)
BENCHMARK# 2 SET NAIL & DISC CITY OF TALLAHASSEE PERMANENT REFERENCE IN POWER POLE ELEVATION 144.58' (N.A.V.D. 88)
BENCHMARK# 4 SET NAIL & DISC CITY OF TALLAHASSEE PERMANENT REFERENCE ELEVATION 110.21' (N.A.V.D. 88)



ENGINEER OF RECORD
 LANE P. LUCAS
 F.L.P.E. No. 538036
EUTAW, INC.
 2419-1 Fleischmann Road
 Tallahassee, Florida 32308
 TEL: 904-224-1111
 FAX: 904-224-1112
 FBPE REGISTRY # 9961

NO.	DATE	REVISIONS
1	Dec 02, 2023	ORIGINAL
2		
3		
4		
5		

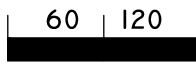
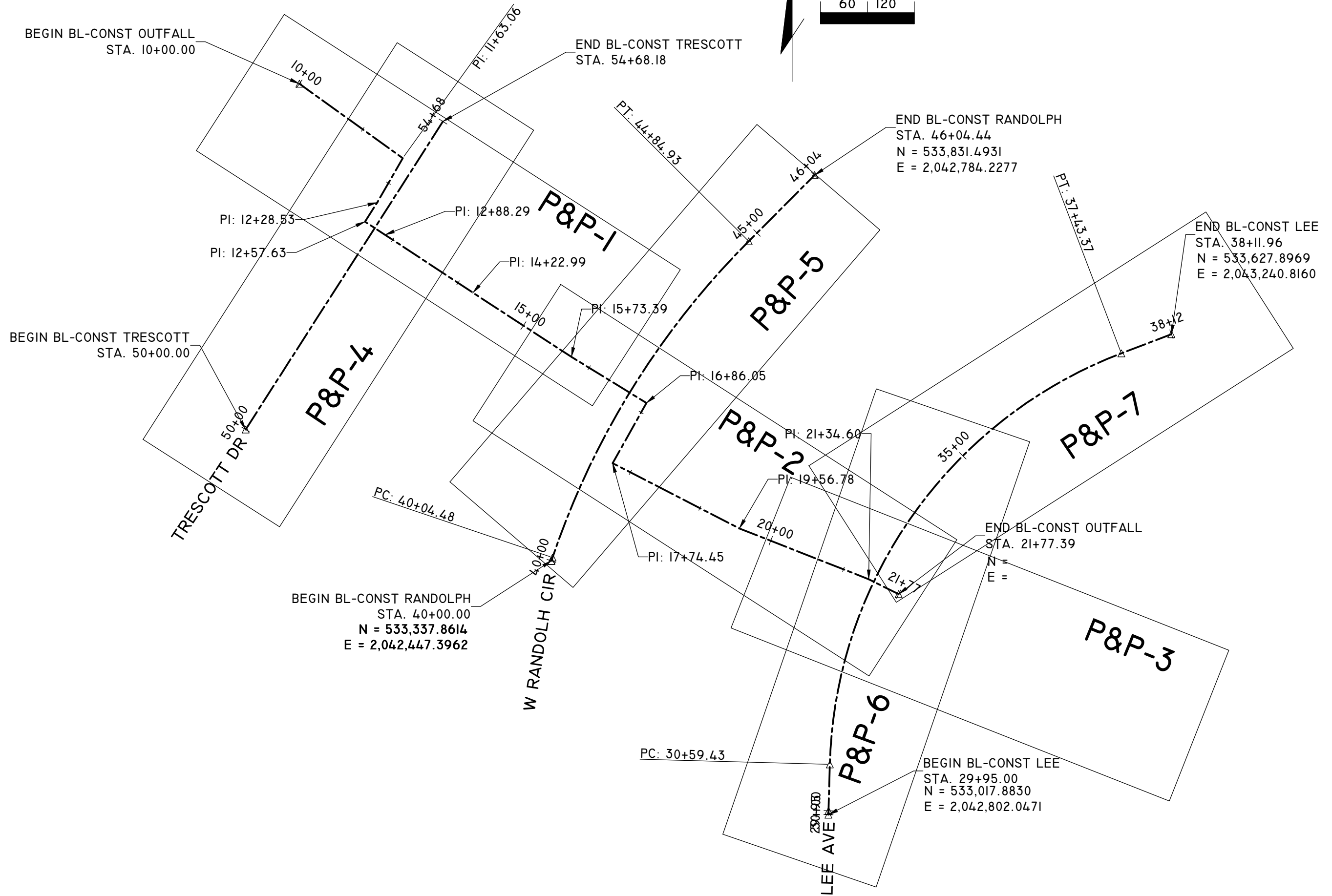
PROJECT LAYOUT

LEE AVENUE DRAINAGE IMPROVEMENT PROJECT

EUTAW, INC.
 ENGINEERING-UTILITIES, TRANSPORTATION, AND WATER
 2419 FLEISCHMANN ROAD, STE. 1
 TALLAHASSEE, FL 32308
 PHONE: (850) 383-9400
 WWW.EUTAWINC.COM
 FBPE REGISTRY #9961

JOB No.	
DRAWN	LPL
DESIGNED	LPL
CHECKED	MWH
QC	LPL
SHEET	10

U:\1\1000\PROJECT\Stormwater\Lee Avenue\Proj\PROJECT LAYOUT.dwg - 1/30/2023 9:37:23 AM



ENGINEER OF RECORD
 LANE P LUCAS
 FL.P.E. No. 538036
 EUTAW, INC.
 2419-1 Fleischmann Road
 Tallahassee, Florida 32308
 TEL: 904.933.8888
 FBPE REGISTRY # 8961

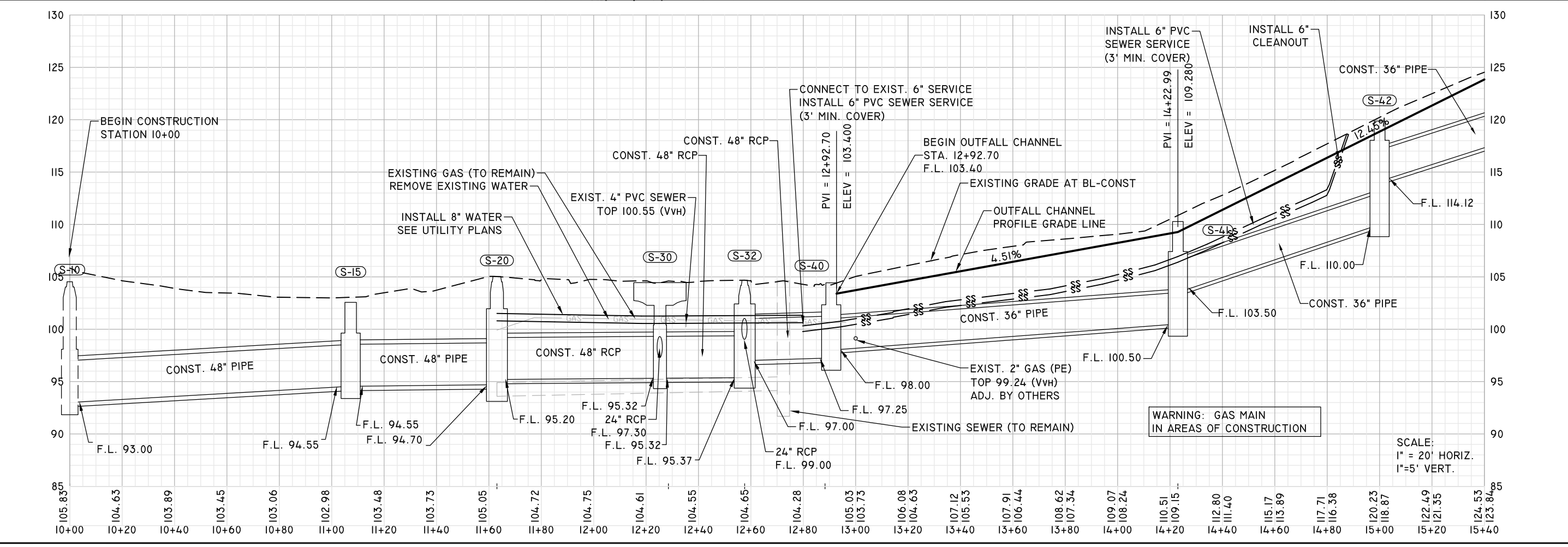
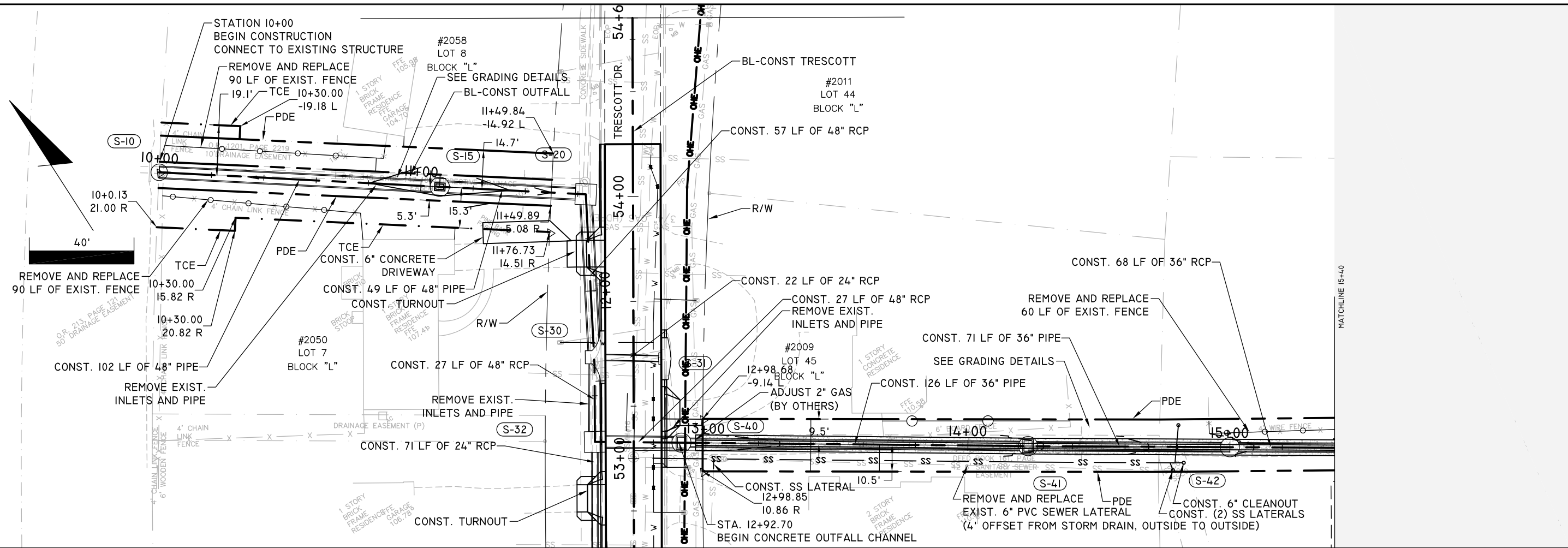
REVISIONS	DATE
1	ORIGINAL
2	
3	
4	
5	

PROJECT LAYOUT

LEE AVENUE DRAINAGE IMPROVEMENT PROJECT

EUTAW, INC.
 ENGINEERING-UTILITIES TRANSPORTATION AND WATER
 2419 FLEISCHMANN ROAD - STE. 1
 TALLAHASSEE, FL 32308
 PHONE : (904) 383-9400
 WWW.EUTAWINC.COM
 FBPE REGISTRY #9961

JOB No.	
DRAWN	LPL
DESIGNED	LPL
CHECKED	MWH
QC	LPL



ENGINEER OF RECORD
LANE P. LUCAS
F.P.E. No. 53836

2419 FLEISCHMANN ROAD
TALLAHASSEE, FL 32308
WWW.EUTAWINC.COM

DATE: FEB. 19, 2024

PROJECT: LEE AVENUE DRAINAGE IMPROVEMENT PROJECT

REVISIONS:

1	
2	
3	
4	
5	

PLAN & PROFILE

PROJECT: LEE AVENUE DRAINAGE IMPROVEMENT PROJECT

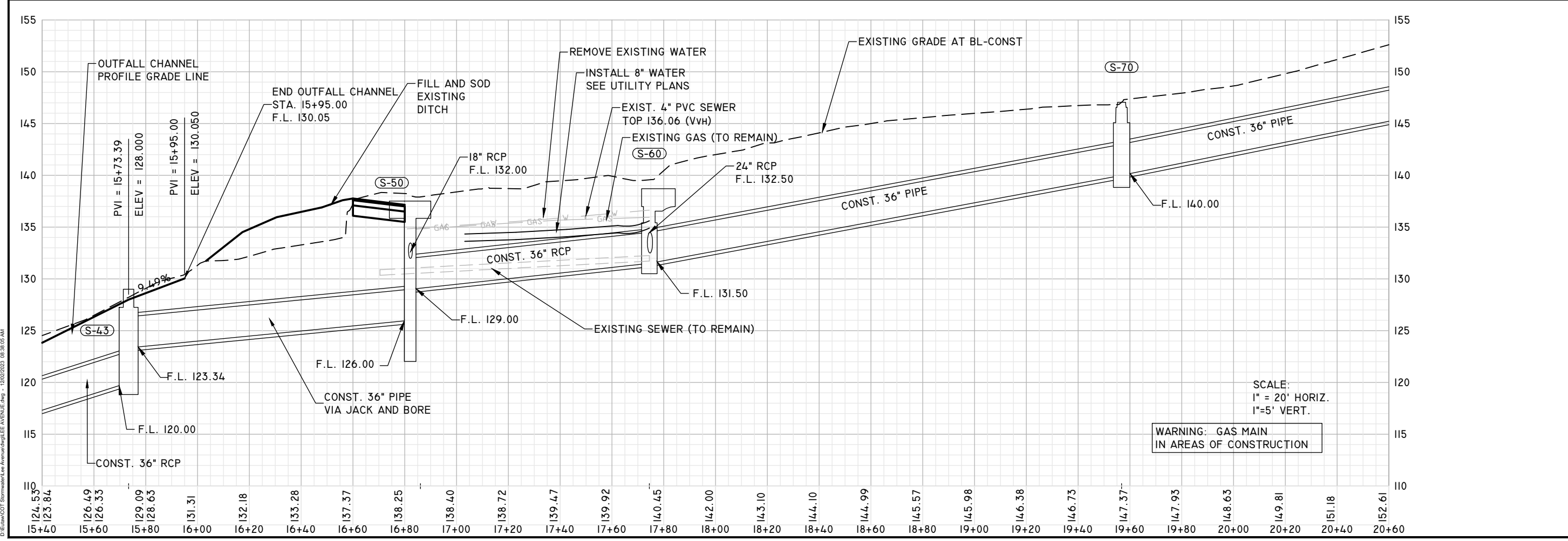
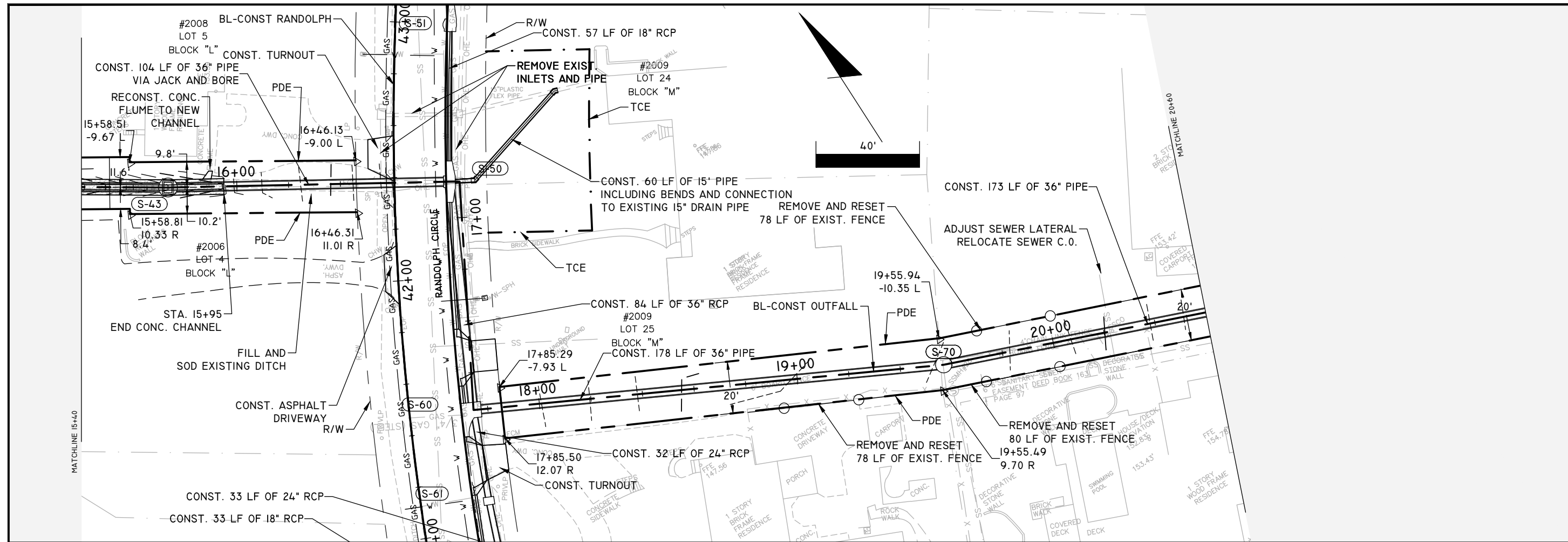
ENGINEERING-UTILITIES, TRANSPORTATION, AND WATER

2419 FLEISCHMANN ROAD, STE. 1
TALLAHASSEE, FL 32308
PHONE: (850) 383-0400
WWW.EUTAWINC.COM

FBPE REGISTRY #9961

JOB No. _____
DRAWN: LPL
DESIGNED: LPL
CHECKED: MWH
QC: LPL

SHEET 12



WARNING: GAS MAIN
IN AREAS OF CONSTRUCTION

SCALE:
1" = 20' HORIZ.
1" = 5' VERT.

ENGINEER OF RECORD
LANE P. LUCAS
F.L.P.E. No. 53836

EUTAW, INC.
2419 FLEISCHMANN ROAD
TALLAHASSEE, FLORIDA 32308
FBPE REGISTRY # 9961

PROJECT: LEE AVENUE DRAINAGE IMPROVEMENT PROJECT

ENGINEERING-UTILITIES TRANSPORTATION AND WATER
2419 FLEISCHMANN ROAD, STE. 1
TALLAHASSEE, FL 32308
PHONE: (850) 383-0400
WWW.EUTAWINC.COM

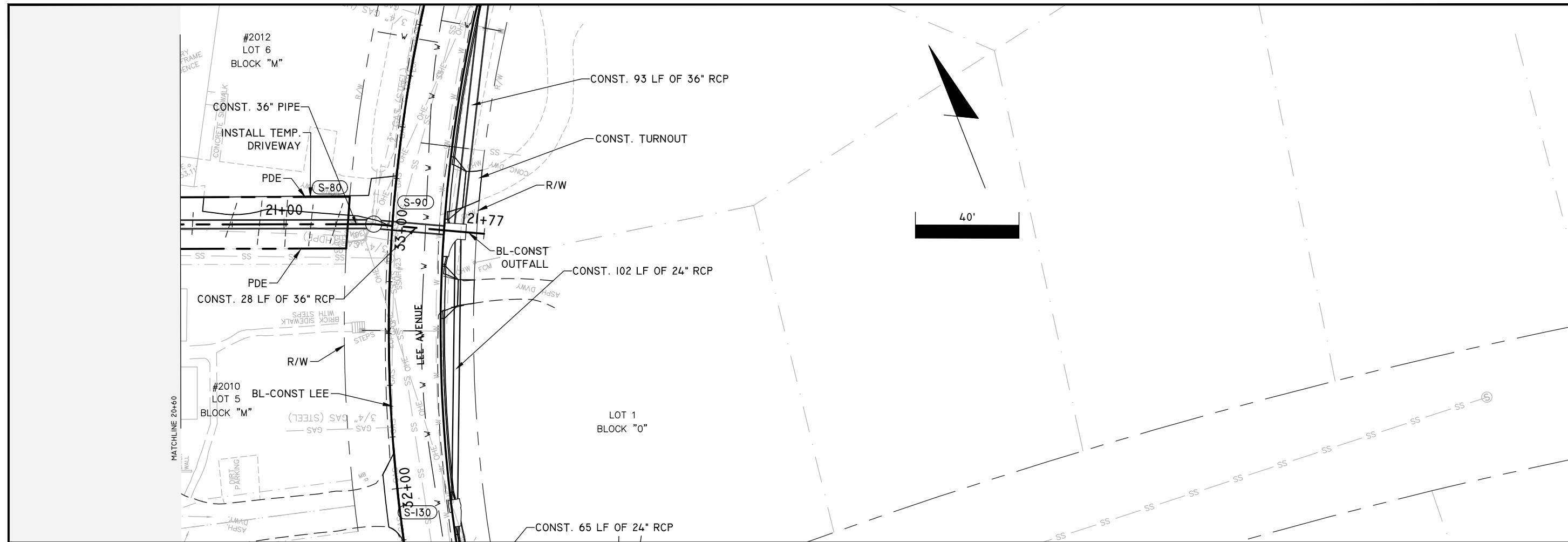
FBPE REGISTRY # 9961

JOB No. _____
DRAWN: LPL
DESIGNED: LPL
CHECKED: MWH
QC: LPL

REVISIONS:
1
2
3
4
5

ORIGINAL: Dec 02, 2023

SHEET: 13

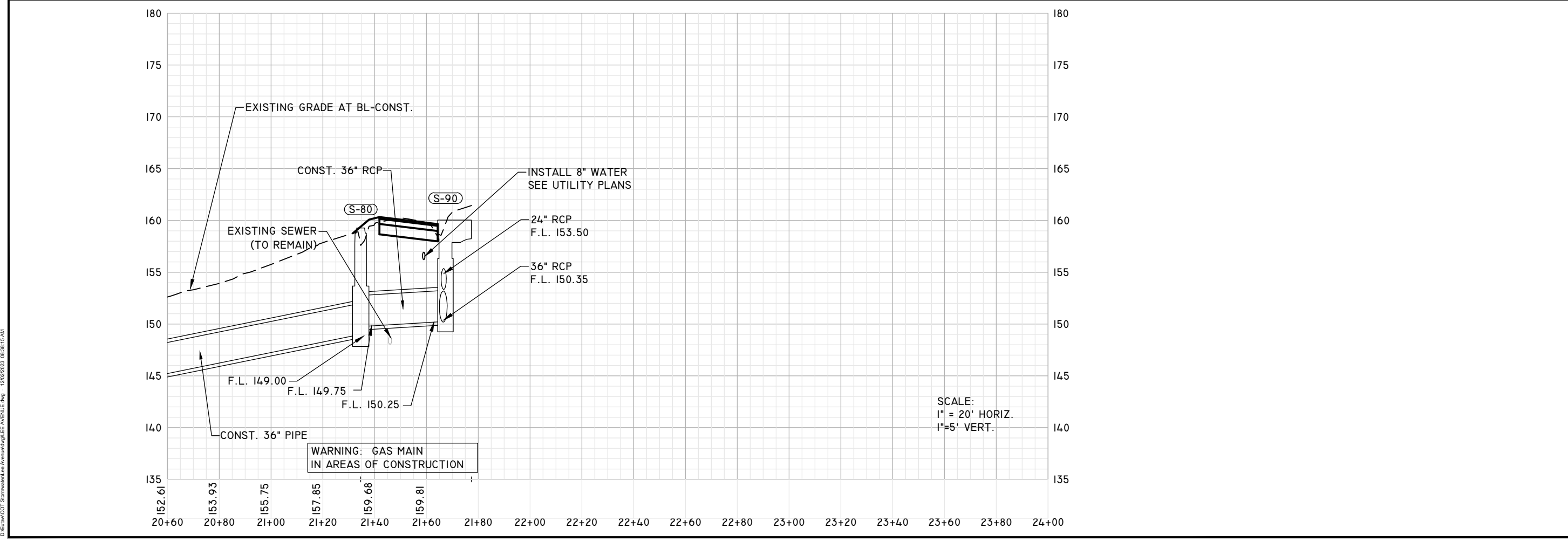


ENGINEER OF RECORD
 LANE P. LUCAS
 F.L.P.E. No. 53836
EUTAW, INC.
 2419-1 Fleischmann Road
 Tallahassee, Florida 32308
 FBPE REGISTRY # 9961

REVISIONS	DATE	BY
1		
2		
3		
4		
5		

ORIGINAL Dec 02, 2023

PLAN & PROFILE

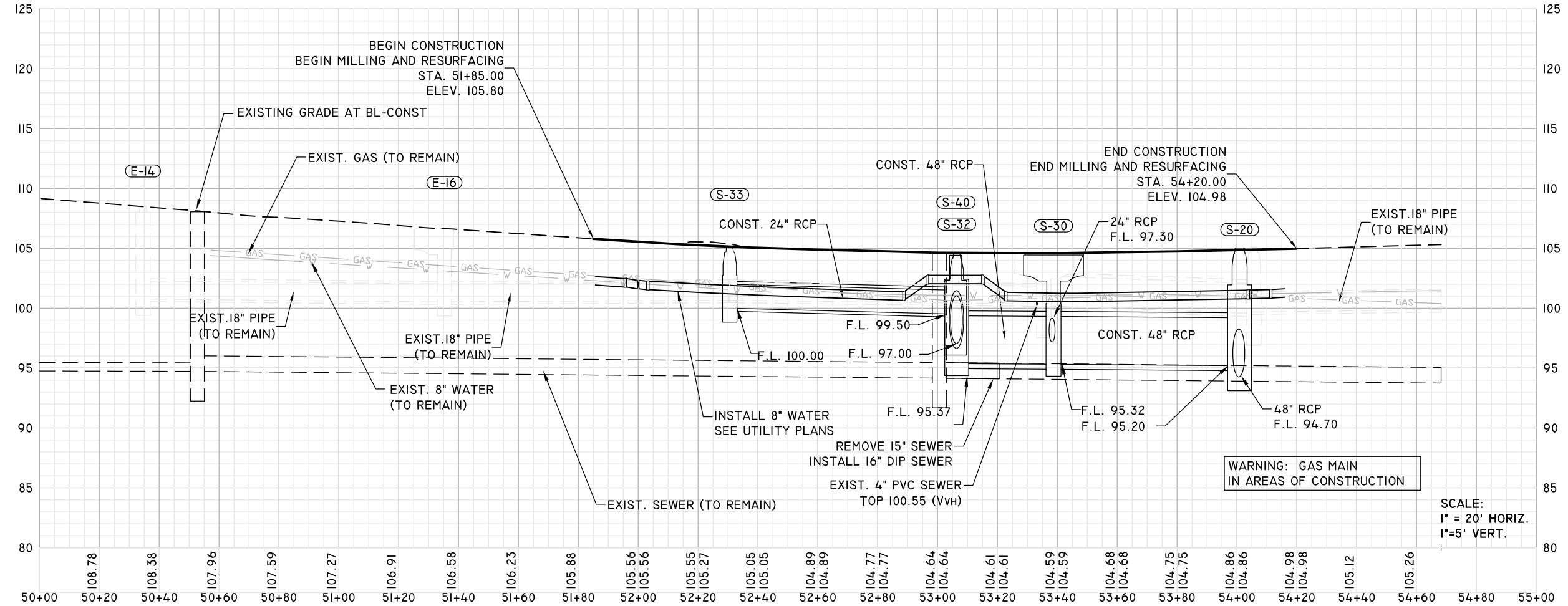
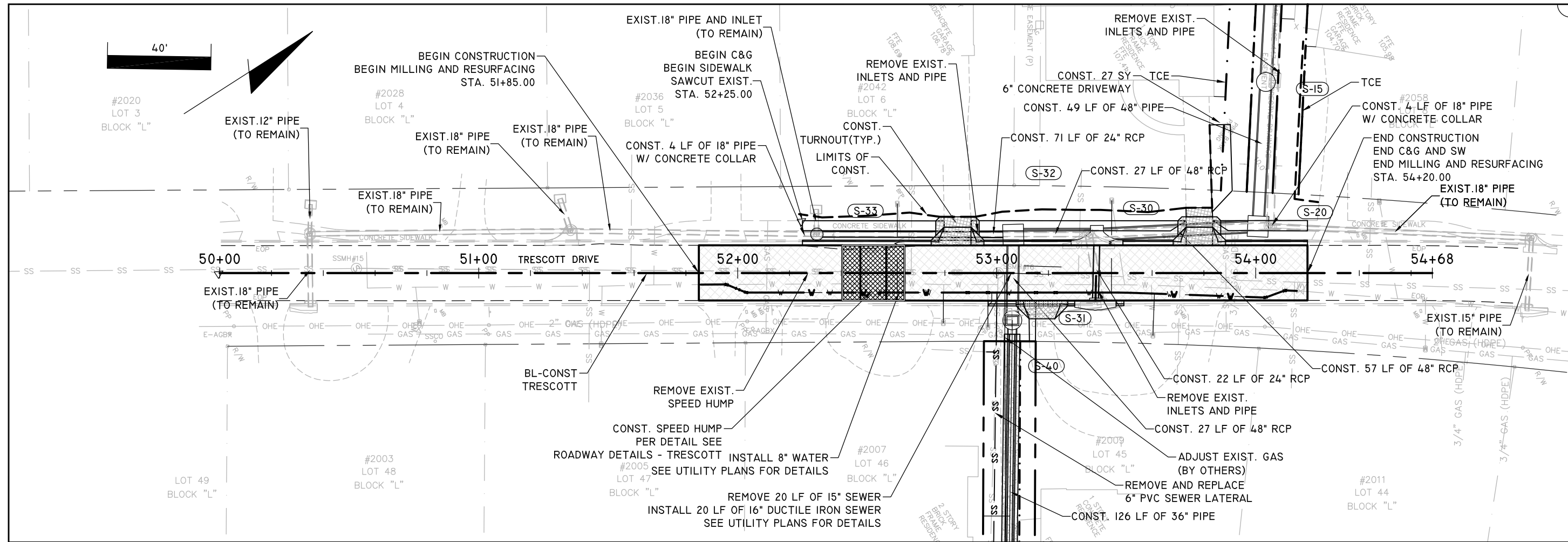


LEE AVENUE DRAINAGE IMPROVEMENT PROJECT

EUTAW, INC.
 ENGINEERING-UTILITIES TRANSPORTATION AND WATER
 2419 FLEISCHMANN ROAD, STE. 1
 TALLAHASSEE, FL 32308
 PHONE : (850) 383-9400
 WWW.EUTAWINC.COM
 FBPE REGISTRY #9961

JOB No.	
DRAWN	LPL
DESIGNED	LPL
CHECKED	MWH
QC	LPL
SHEET	14

DATE: 12/02/2023 08:38:15 AM
 D:\EUTAW\PROJECT\Stormwater\Lee Avenue\Lee Avenue.dwg - 12/02/2023 08:38:15 AM



ENGINEER OF RECORD
 LANE P. LUCAS
 F.P.E. No. 53836
EUTAW, INC.
 2419-1 Fleischmann Road
 Tallahassee, Florida 32308
 FBPE REGISTRY # 9961

Feb. 17, 2024

ORIGINAL
 REVISIONS:
 1
 2
 3
 4
 5

PLAN & PROFILE

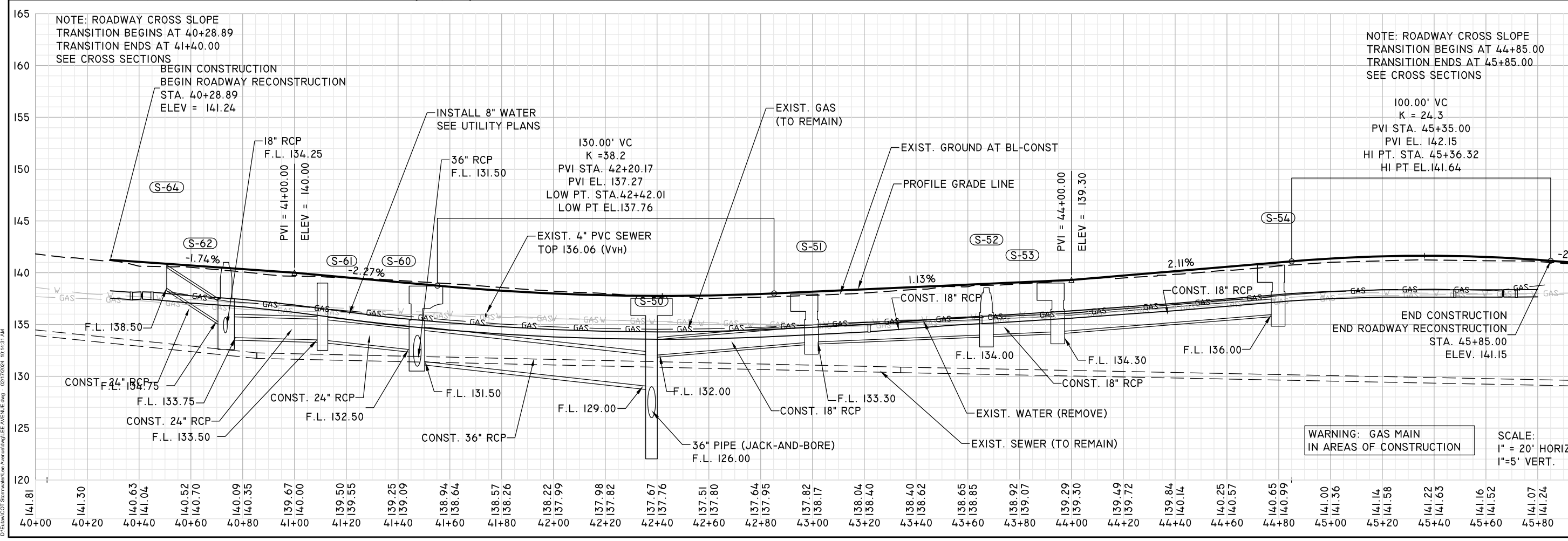
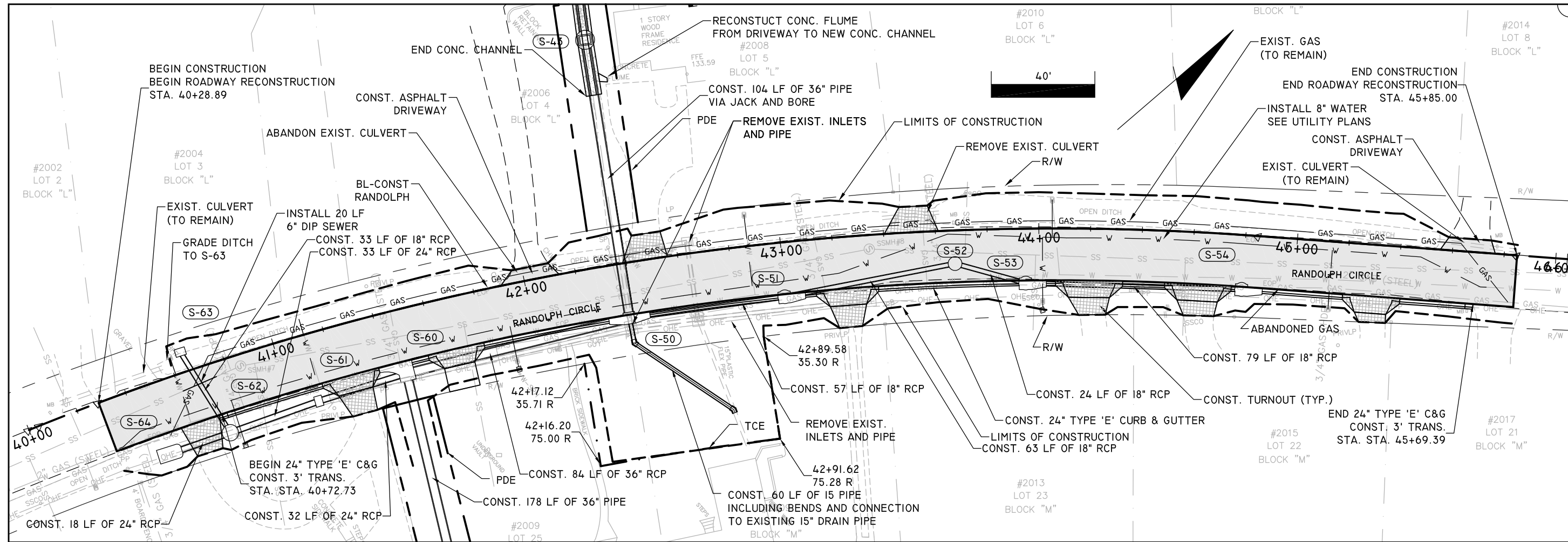
PROJECT
**LEE AVENUE
 DRAINAGE
 IMPROVEMENT
 PROJECT**

ENGINEERING-UTILITIES, TRANSPORTATION, AND WATER
EUTAW, INC.
 2419 FLEISCHMANN ROAD, STE. 1
 TALLAHASSEE, FL 32308
 PHONE : (850) 383-9400
 WWW.EUTAWINC.COM
 FBPE REGISTRY #9961

JOB No.
 DRAWN LPL
 DESIGNED LPL
 CHECKED MWH
 QC LPL

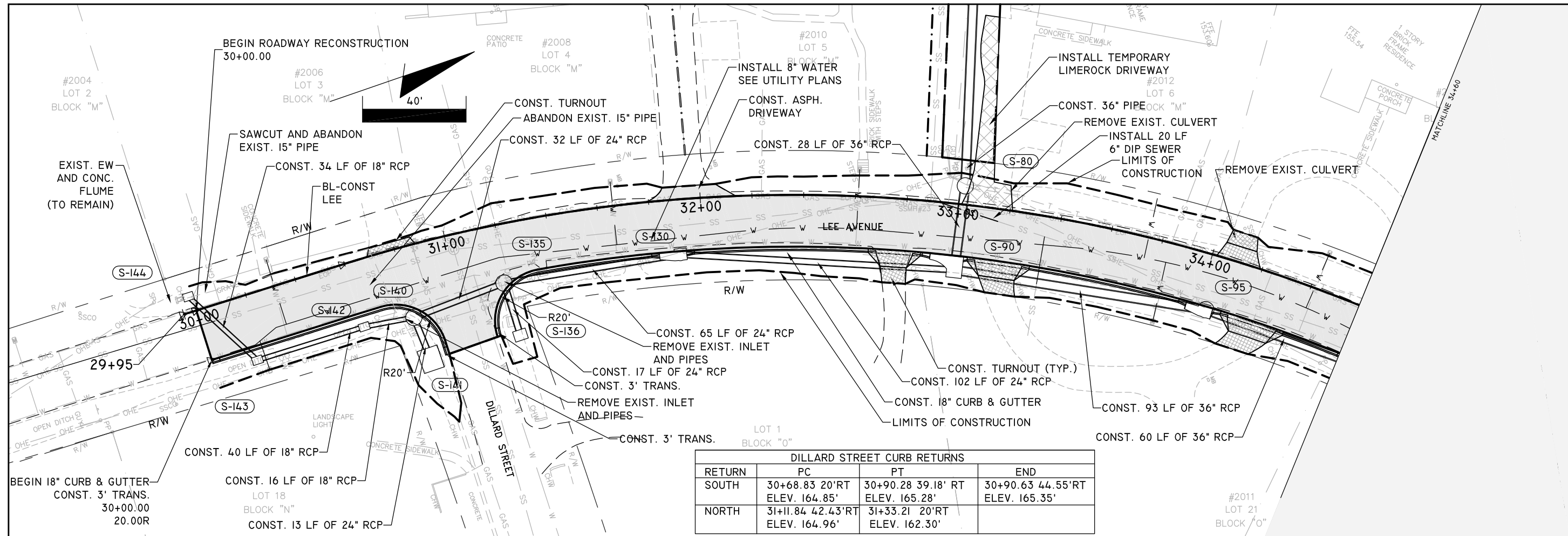
SHEET
15

U:\Projects\2024\Lee Avenue\DWG\Lee Avenue.dwg - 02/17/2024 10:09:58 AM



DATE PLOTTED: 02/17/2024 10:14:31 AM
 USER: JWC
 PROJECT: LEE AVENUE IMPROVEMENT PROJECT
 SHEET: 16

ENGINEER OF RECORD LANE P. LUCAS F.P.E. No. 53936 EUTAW, INC. 2419-1 Fleischmann Road Tallahassee, Florida 32308 FBPE REGISTRY # 9961	
ORIGINAL REVISIONS: 1 2 3 4 5	PLAN & PROFILE
LEE AVENUE DRAINAGE IMPROVEMENT PROJECT	
EUTAW, INC. ENGINEERING-UTILITIES, TRANSPORTATION, AND WATER 2419 FLEISCHMANN ROAD, STE. 1 TALLAHASSEE, FL 32308 PHONE : (850) 383-0400 WWW.EUTAWINC.COM FBPE REGISTRY #9961	
JOB No. DRAWN DESIGNED CHECKED QC SHEET	LPL LPL MWH LPL 16



DILLARD STREET CURB RETURNS			
RETURN	PC	PT	END
SOUTH	30+68.83 20'RT ELEV. 164.85'	30+90.28 39.18' RT ELEV. 165.28'	30+90.63 44.55'RT ELEV. 165.35'
NORTH	31+11.84 42.43'RT ELEV. 164.96'	31+33.21 20'RT ELEV. 162.30'	

ENGINEER OF RECORD
LANE P. LUCAS
FL.P.E. No. 53836

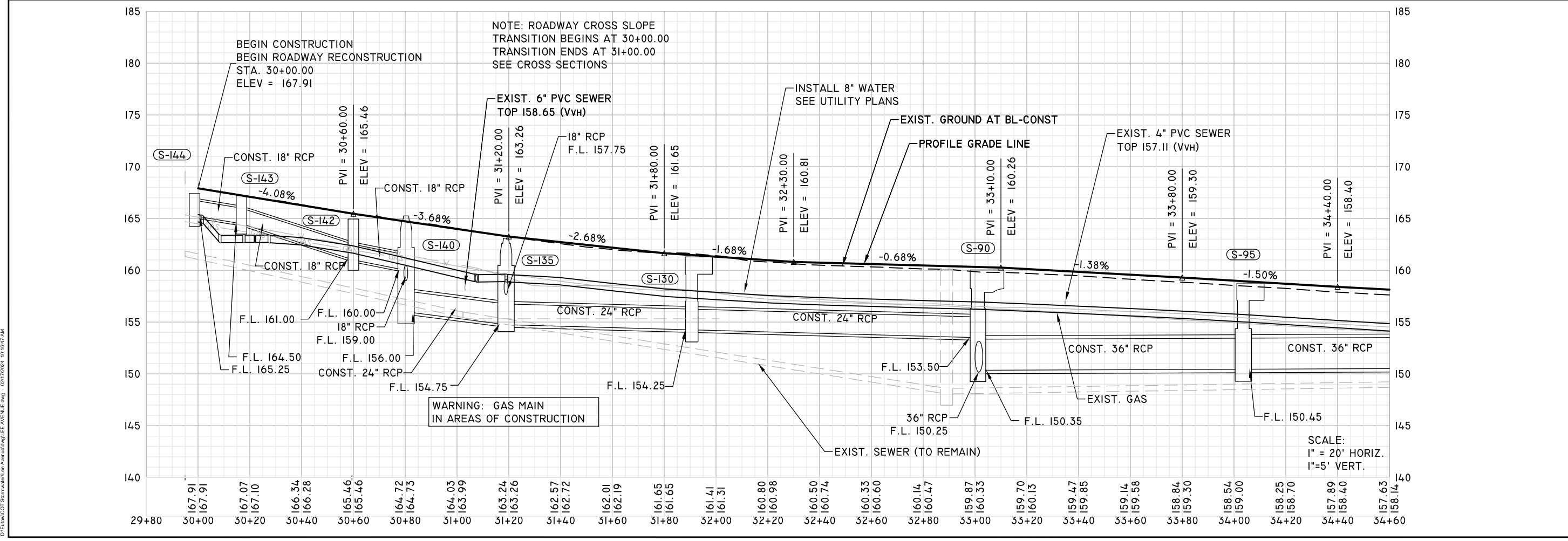
EUTAW, INC.
2419-1 Fleischmann Road
Tallahassee, Florida 32308
FBPE REGISTRY # 9961

ORIGINAL: Feb. 17, 2024

REVISIONS:

1	
2	
3	
4	
5	

SHEET PLAN&PROFILE



DATE: 02/17/2024 10:16:47 AM
D:\EUTAW\DOT\Stamwork\Lee Avenue\Lee Avenue.dwg - 02/17/2024 10:16:47 AM

PROJECT: LEE AVENUE DRAINAGE IMPROVEMENT PROJECT

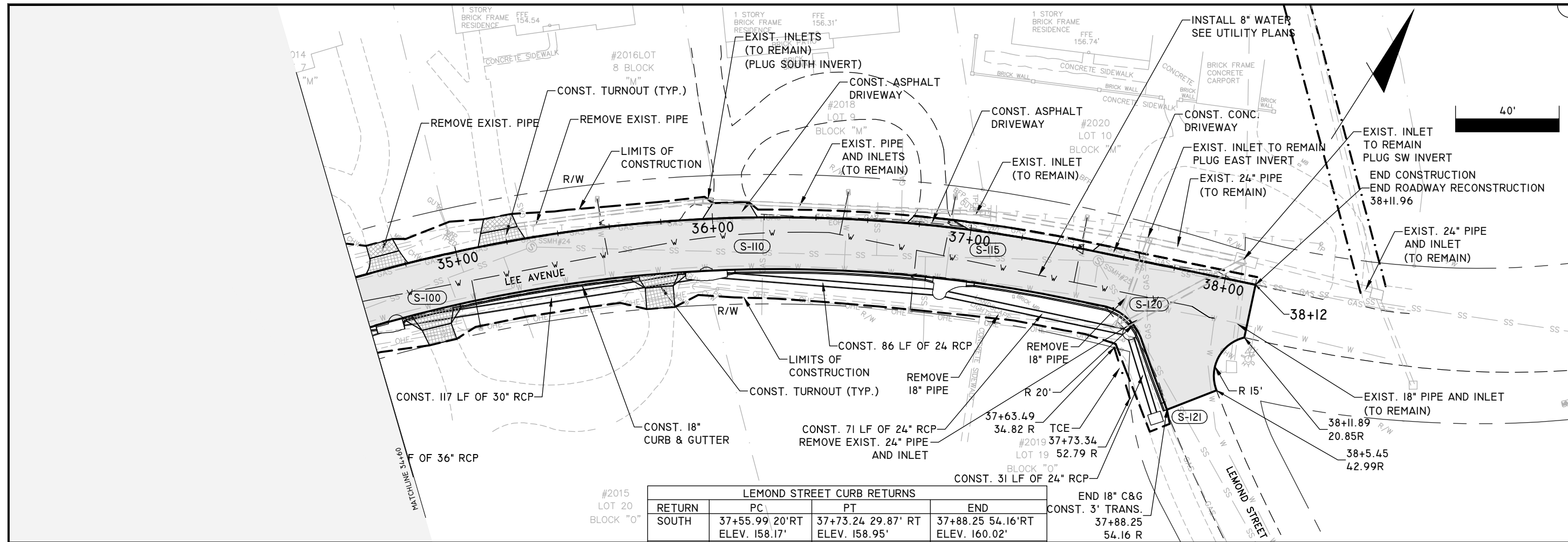
EUTAW, INC.
ENGINEERING-UTILITIES, TRANSPORTATION, AND WATER
2419 FLEISCHMANN ROAD, STE. 1
TALLAHASSEE, FL 32308
PHONE: (850) 383-0400
WWW.EUTAWINC.COM

FBPE REGISTRY #9961

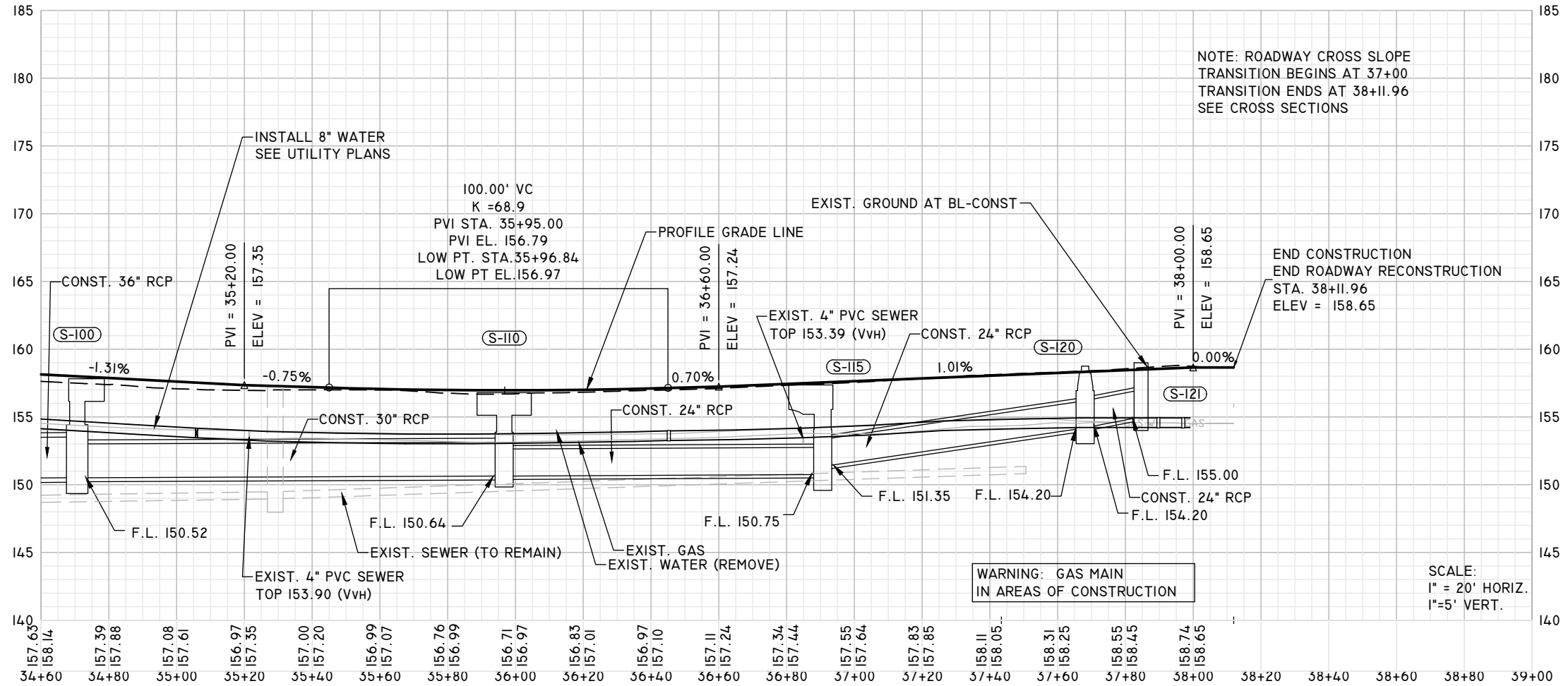
JOB No. _____
DRAWN: LPL
DESIGNED: LPL
CHECKED: MWH
QC: LPL

SCALE:
1" = 20' HORIZ.
1" = 5' VERT.

SHEET 17



LEMOND STREET CURB RETURNS			
RETURN	PC	PT	END
SOUTH	37+55.99 20'RT ELEV. 158.17'	37+73.24 29.87' RT ELEV. 158.95'	37+88.25 54.16'RT ELEV. 160.02'



ENGINEER OF RECORD
 LANE P. LUCAS
 F.P.E. No. 53836
EUTAW, INC.
 2419 FLEISCHMANN ROAD
 TALLAHASSEE, FLORIDA 32308
 FBPE REGISTRY # 9961

Dec 02, 2023

REVISIONS:

1	
2	
3	
4	
5	

PLAN & PROFILE

PROJECT: LEE AVENUE DRAINAGE IMPROVEMENT PROJECT

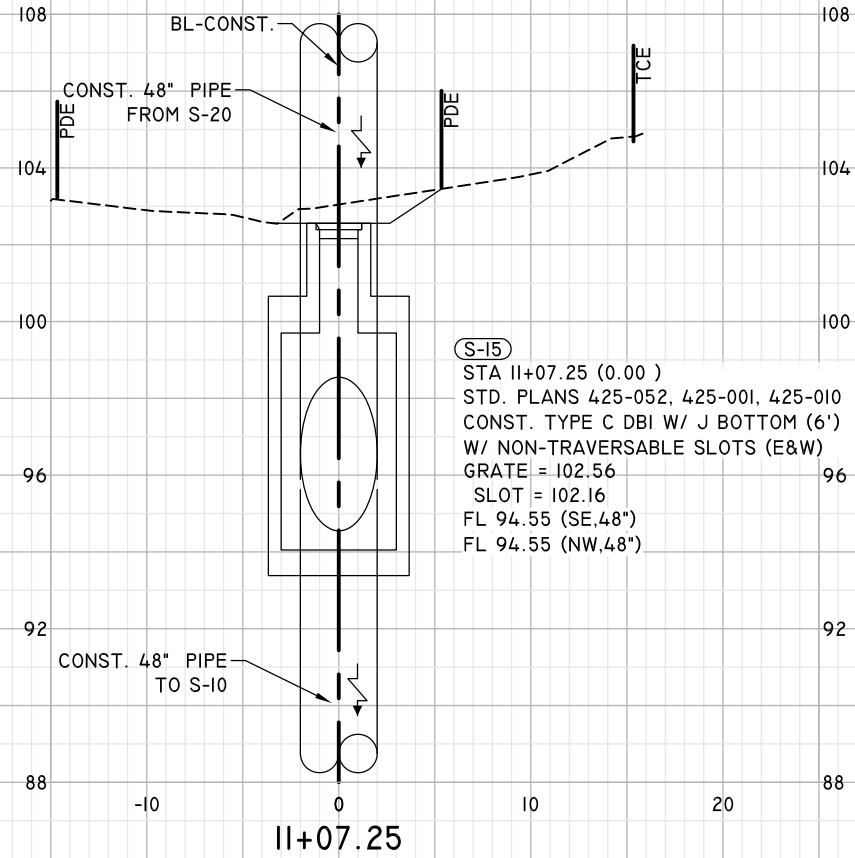
ENGINEERING UTILITIES TRANSPORTATION AND WATER
EUTAW, INC.
 2419 FLEISCHMANN ROAD, STE. 1
 TALLAHASSEE, FL 32308
 PHONE: (850) 383-0400
 WWW.EUTAWINC.COM
 FBPE REGISTRY #9961

JOB No. _____
 DRAWN: LPL
 DESIGNED: LPL
 CHECKED: MWH
 QC: LPL

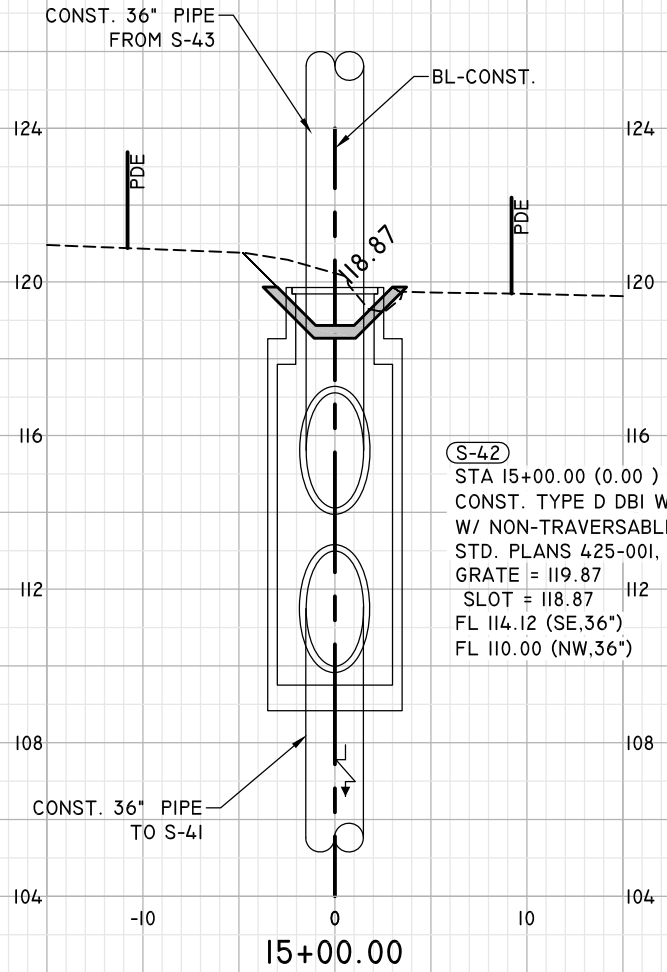
SHEET 18

U:\Projects\2023\Stormwater\Lee Avenue\Lee Avenue.dwg - 12/02/2023 08:39:10 AM

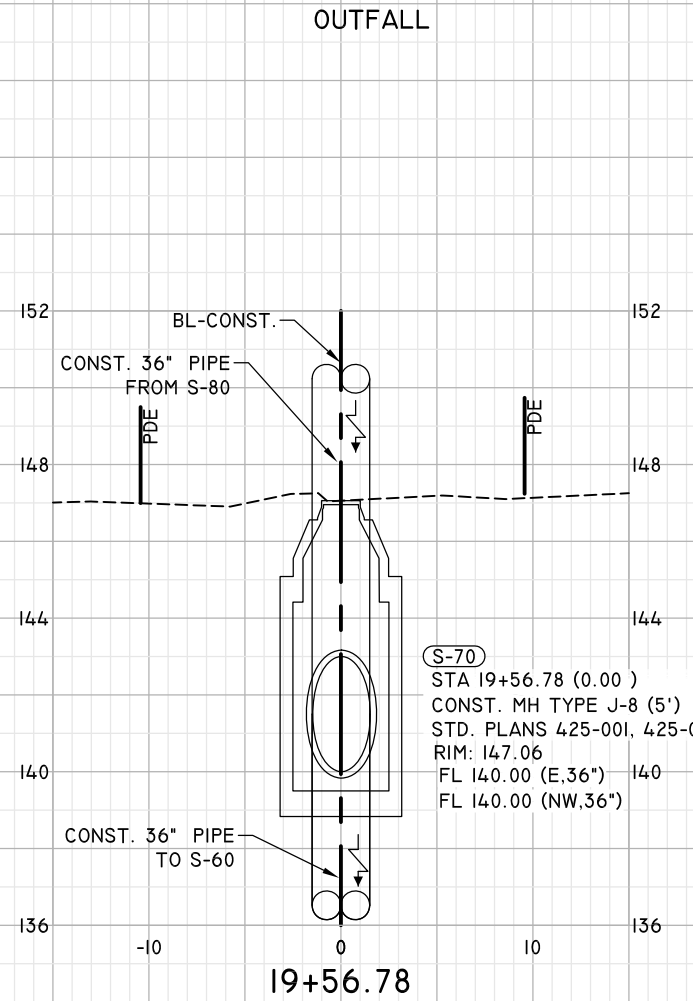
DATE PLOTTED: 02/17/2024 10:20:14 AM
C:\WORK\2024\Lee Avenue\DWG\19.dwg



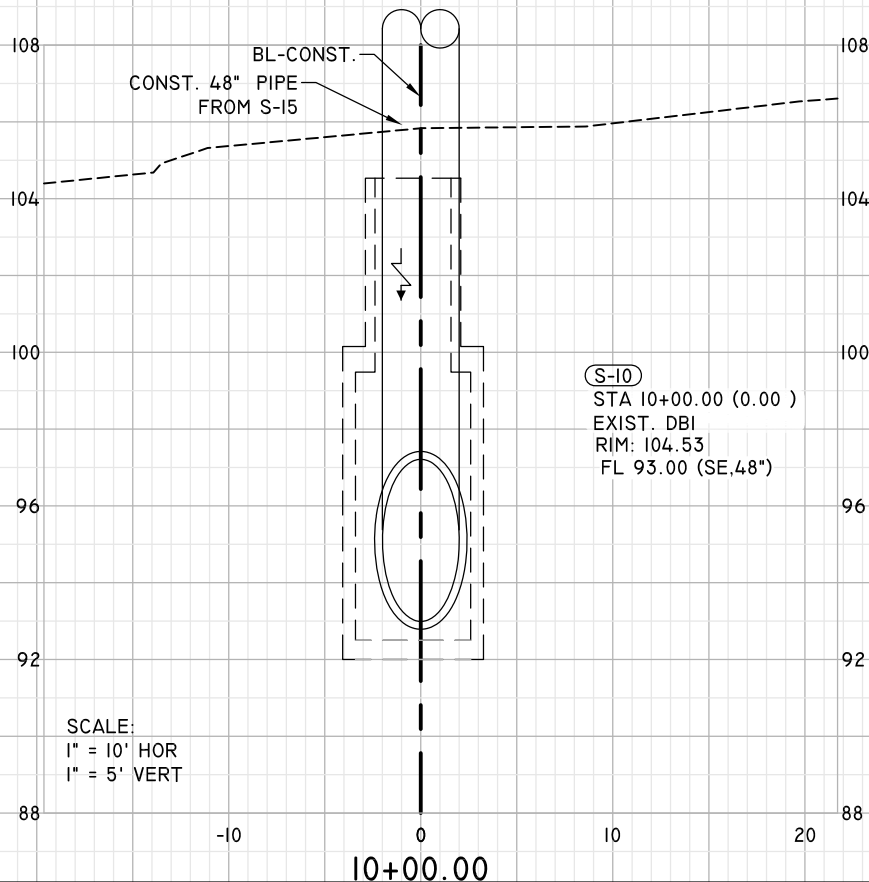
(S-15)
 STA 11+07.25 (0.00)
 STD. PLANS 425-052, 425-001, 425-010
 CONST. TYPE C DBI W/ J BOTTOM (6')
 W/ NON-TRAVERSABLE SLOTS (E&W)
 GRATE = 102.56
 SLOT = 102.16
 FL 94.55 (SE,48")
 FL 94.55 (NW,48")



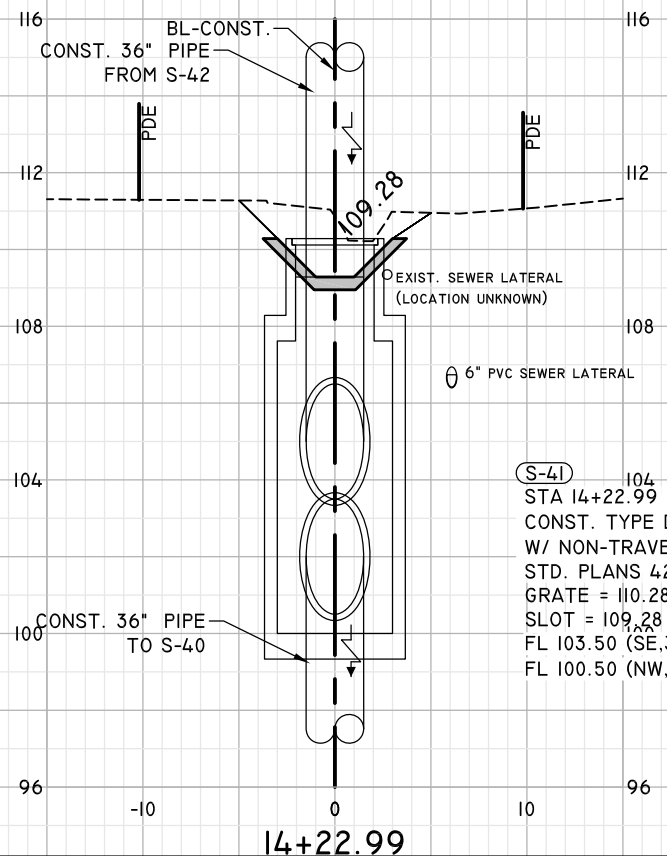
(S-42)
 STA 15+00.00 (0.00)
 CONST. TYPE D DBI W/ J BOTTOM (6')
 W/ NON-TRAVERSABLE SLOTS (E)
 STD. PLANS 425-001, 425-010, 425-052
 GRATE = 119.87
 SLOT = 118.87
 FL 114.12 (SE,36")
 FL 110.00 (NW,36")



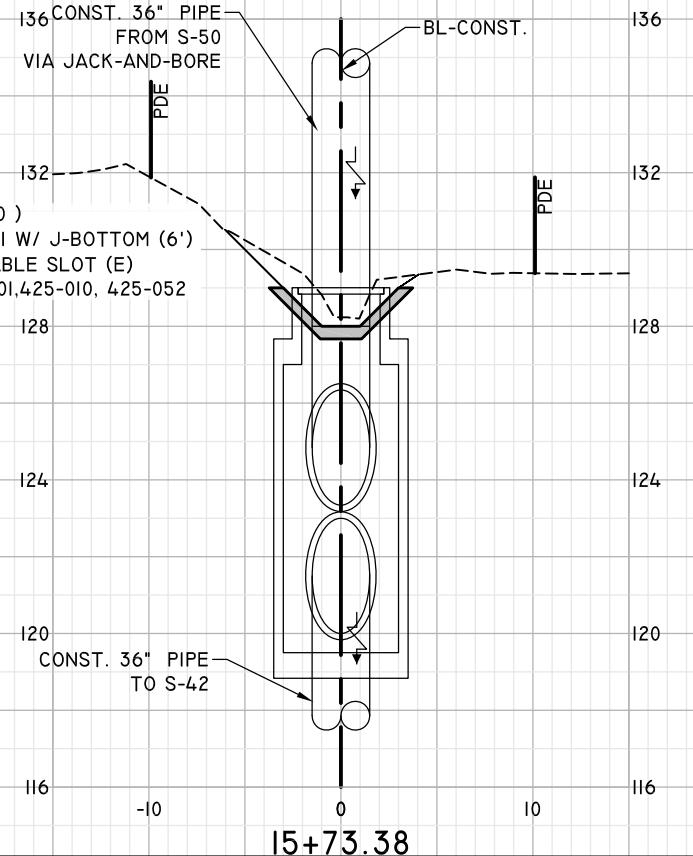
(S-70)
 STA 19+56.78 (0.00)
 CONST. MH TYPE J-8 (5')
 STD. PLANS 425-001, 425-010
 RIM: 147.06
 FL 140.00 (E,36")
 FL 140.00 (NW,36")



(S-10)
 STA 10+00.00 (0.00)
 EXIST. DBI
 RIM: 104.53
 FL 93.00 (SE,48")



(S-41)
 STA 14+22.99 (0.00)
 CONST. TYPE D DBI W/ J-BOTTOM (6')
 W/ NON-TRAVERSABLE SLOT (E)
 STD. PLANS 425-001, 425-010, 425-052
 GRATE = 110.28
 SLOT = 109.28
 FL 103.50 (SE,36")
 FL 100.50 (NW,36")



(S-43)
 STA 15+73.39 (0.00)
 CONST. TYPE D DBI W/ J-BOTTOM (6')
 W/ NON-TRAVERSABLE SLOT (E)
 STD. PLANS 425-001, 425-010, 425-052
 GRATE = 129.00
 SLOT = 128.00
 FL 123.34 (SE,36")
 FL 120.00 (NW,36")

SCALE:
 1" = 10' HOR
 1" = 5' VERT

OUTFALL

ENGINEER OF RECORD
 LANE P. LUCAS
 F.L.P.E. No. 53936
EUTAW, INC.
 2419-1 Fleischmann Road
 Tallahassee, Florida 32308
 FPBE REGISTRY # 9961

ORIGINAL: Feb 17, 2024

NO.	REVISIONS:
1	
2	
3	
4	
5	

SHEET
DRAINAGE STRUCTURES

PROJECT
**LEE AVENUE
 DRAINAGE
 IMPROVEMENT
 PROJECT**

EUTAW, INC.
 ENGINEERING-UTILITIES, TRANSPORTATION, AND WATER
 2419 FLEISCHMANN ROAD, STE. 1
 TALLAHASSEE, FL 32308
 PHONE : (850) 383-0400
 WWW.EUTAWINC.COM
 FPBE REGISTRY #9961

JOB No.	
DRAWN	LPL
DESIGNED	LPL
CHECKED	MWH
QC	LPL

SHEET
19

ENGINEER OF RECORD
 LANE P. LUCAS
 F.L.P.E. No. 53936
EUTAW, INC.
 2419 S. Fleischmann Road
 Tallahassee, Florida 32308
 FPBE REGISTRY # 9961

ORIGINAL Dec 02, 2023

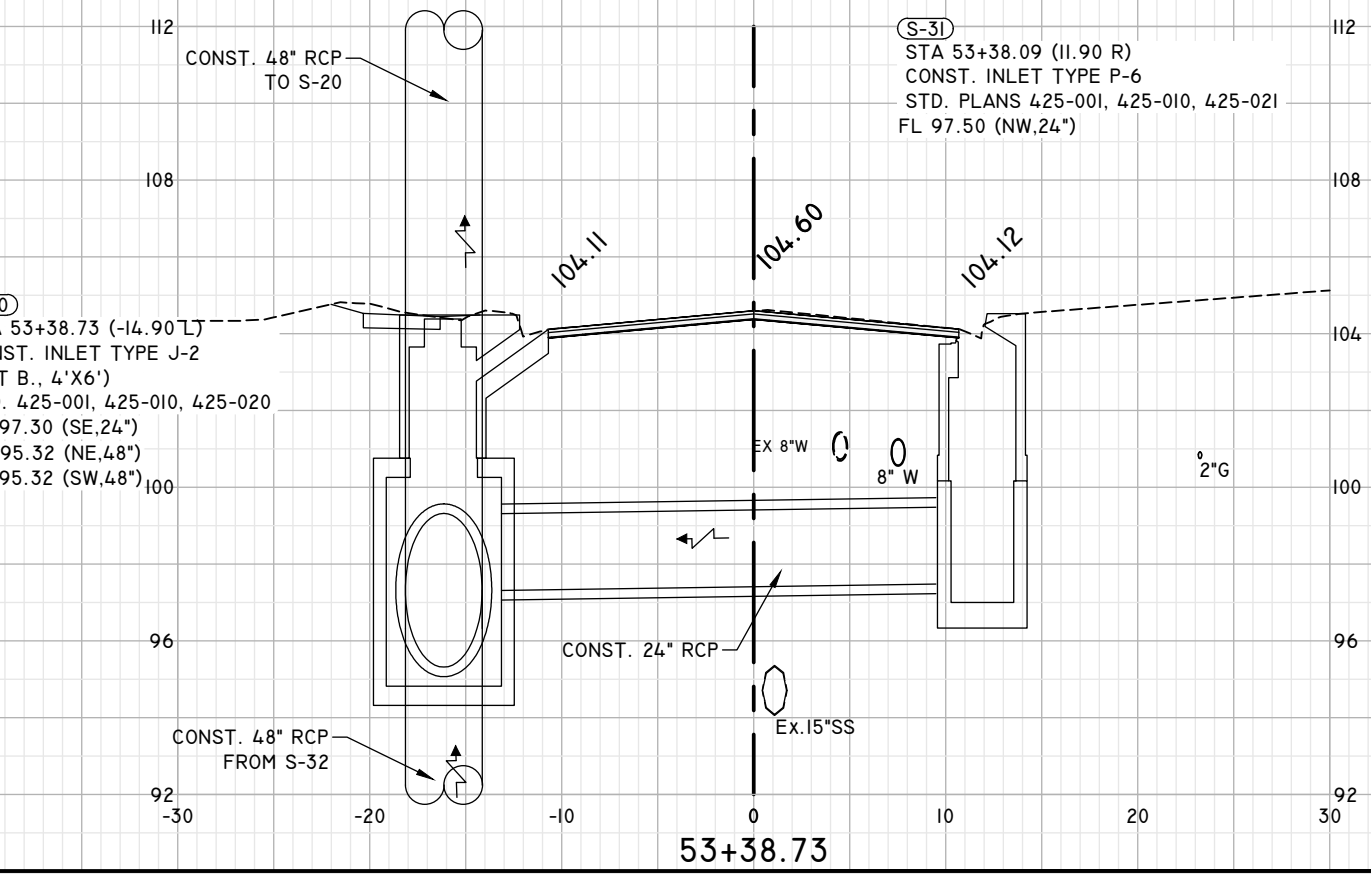
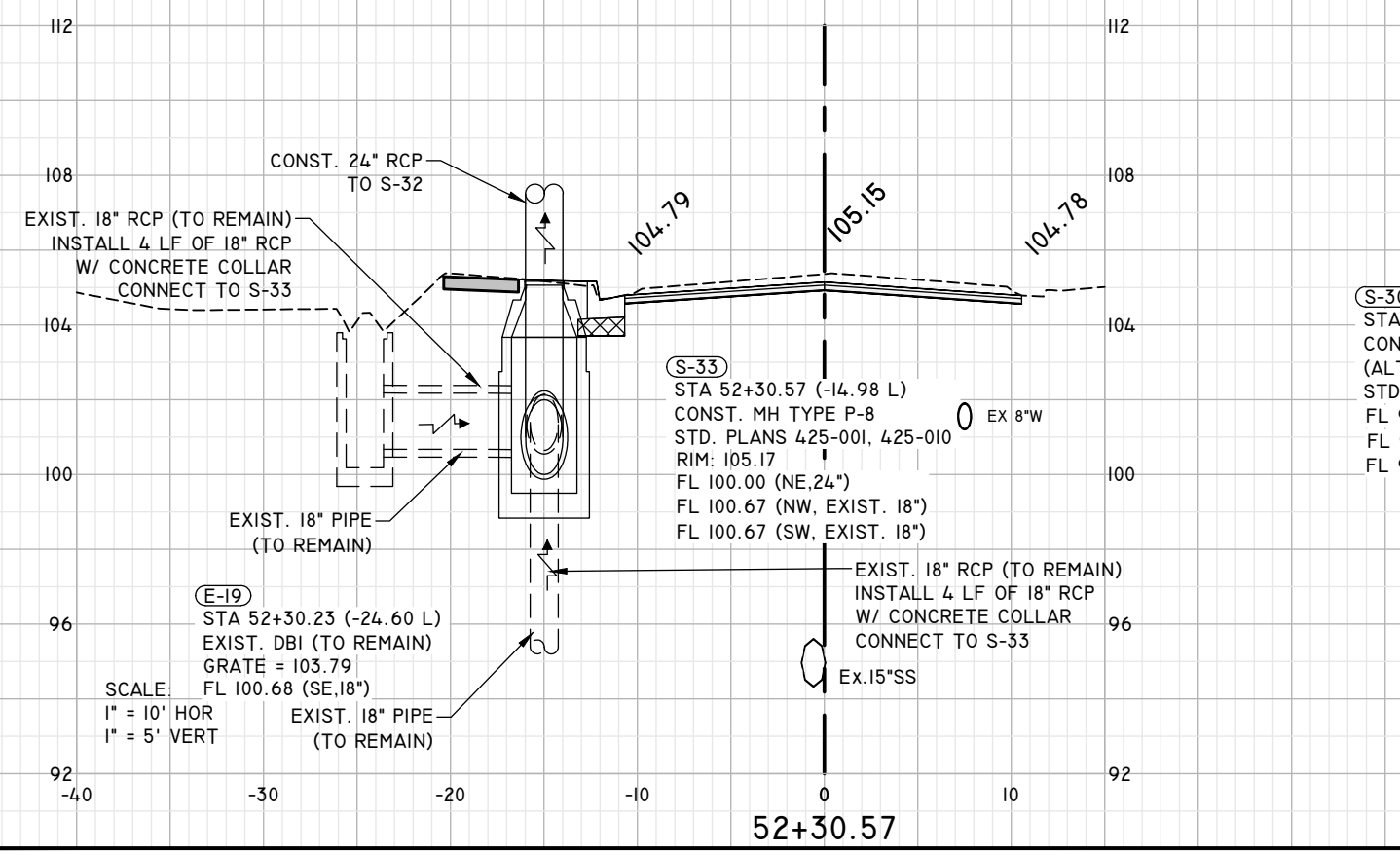
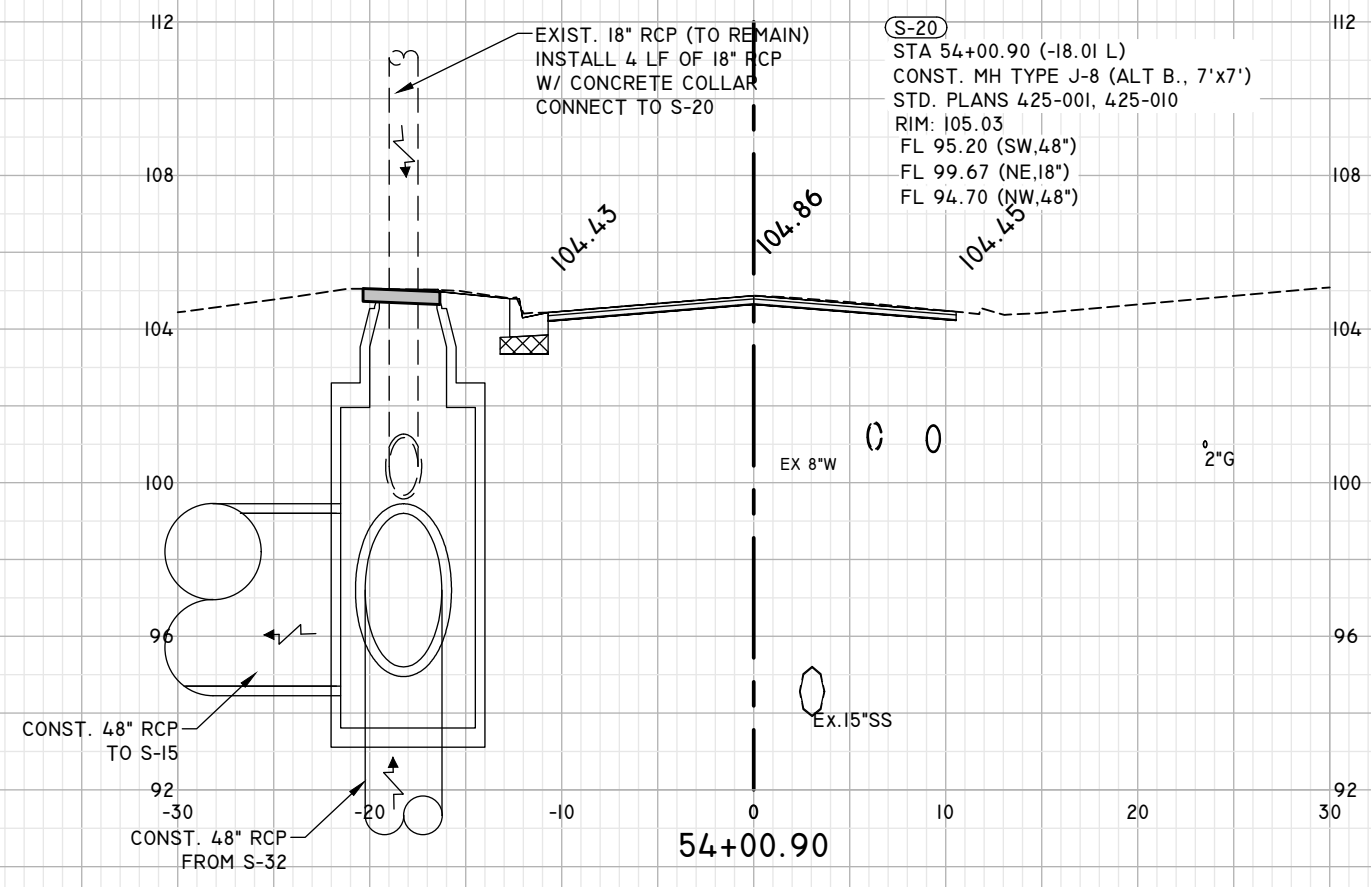
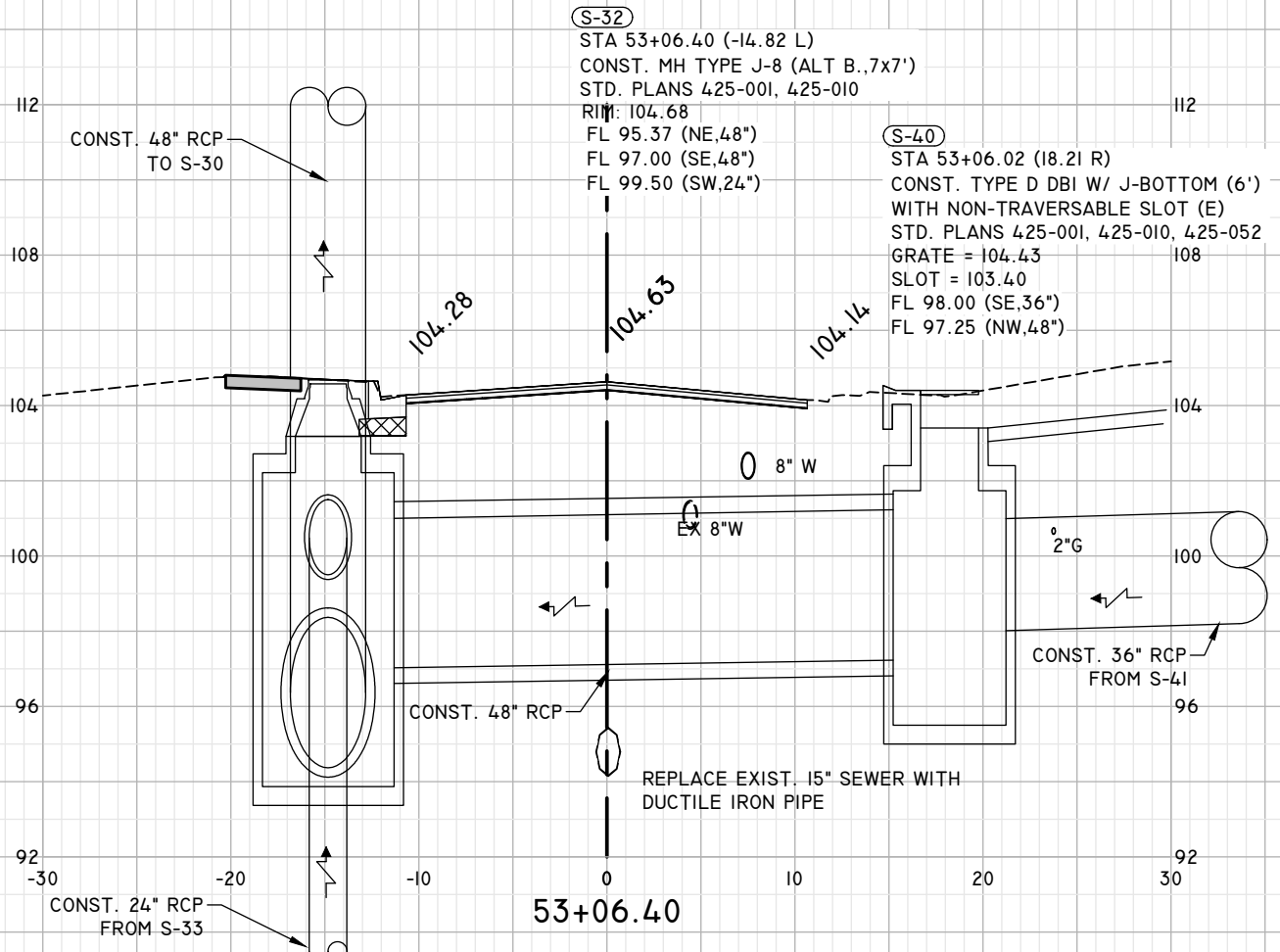
REVISIONS	NO.	DATE	DESCRIPTION
	1		
	2		
	3		
	4		
	5		

DRAINAGE STRUCTURES

LEE AVENUE DRAINAGE IMPROVEMENT PROJECT

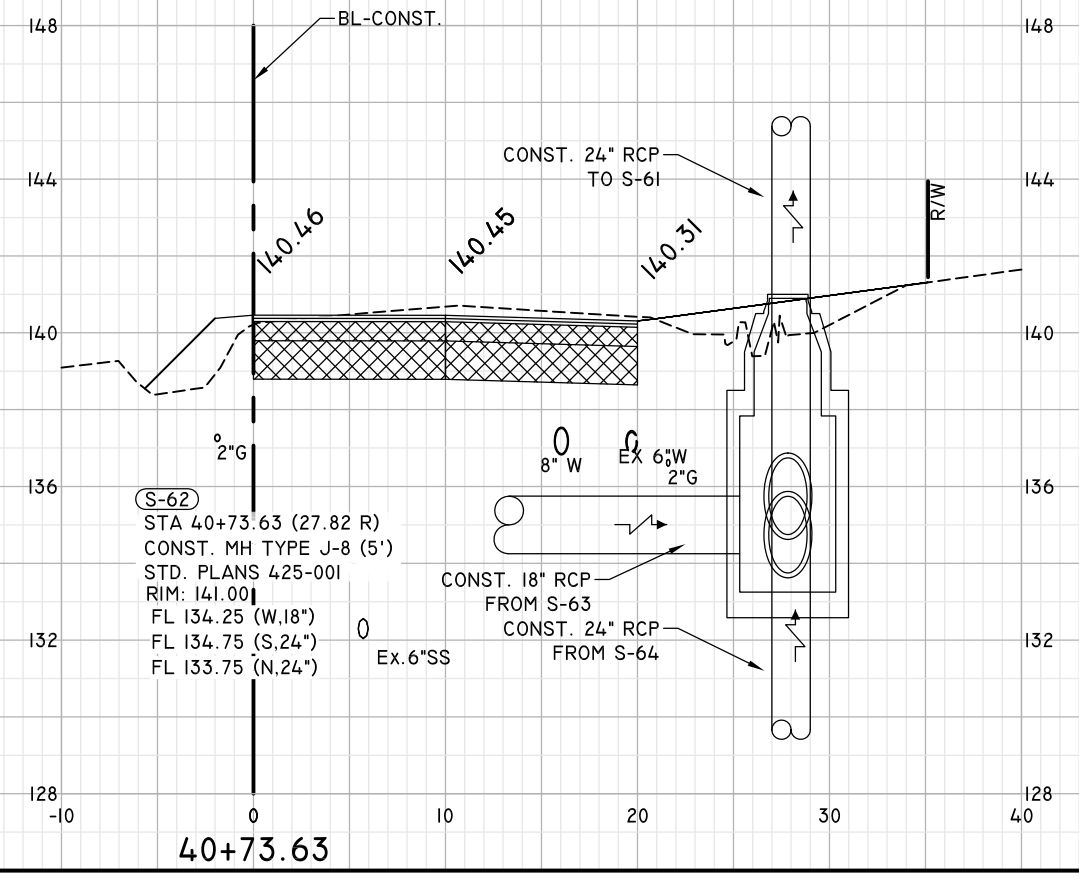
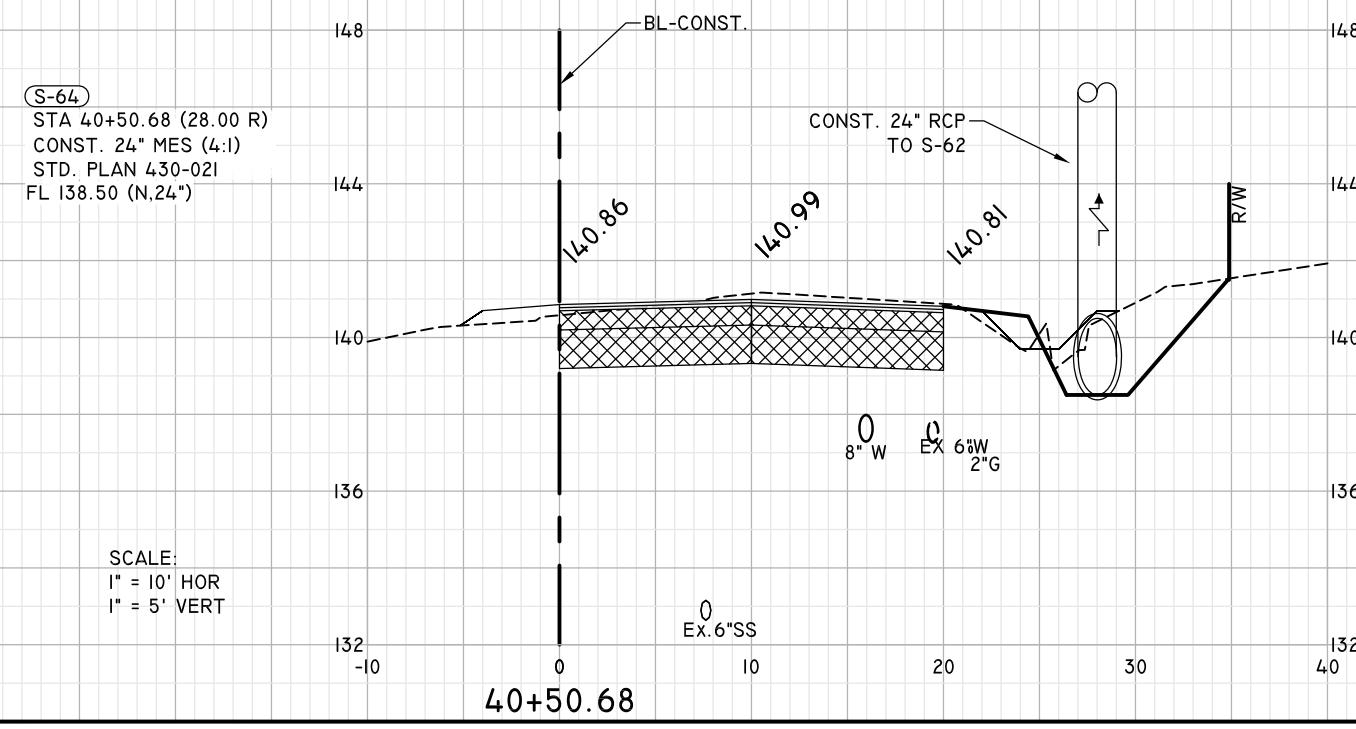
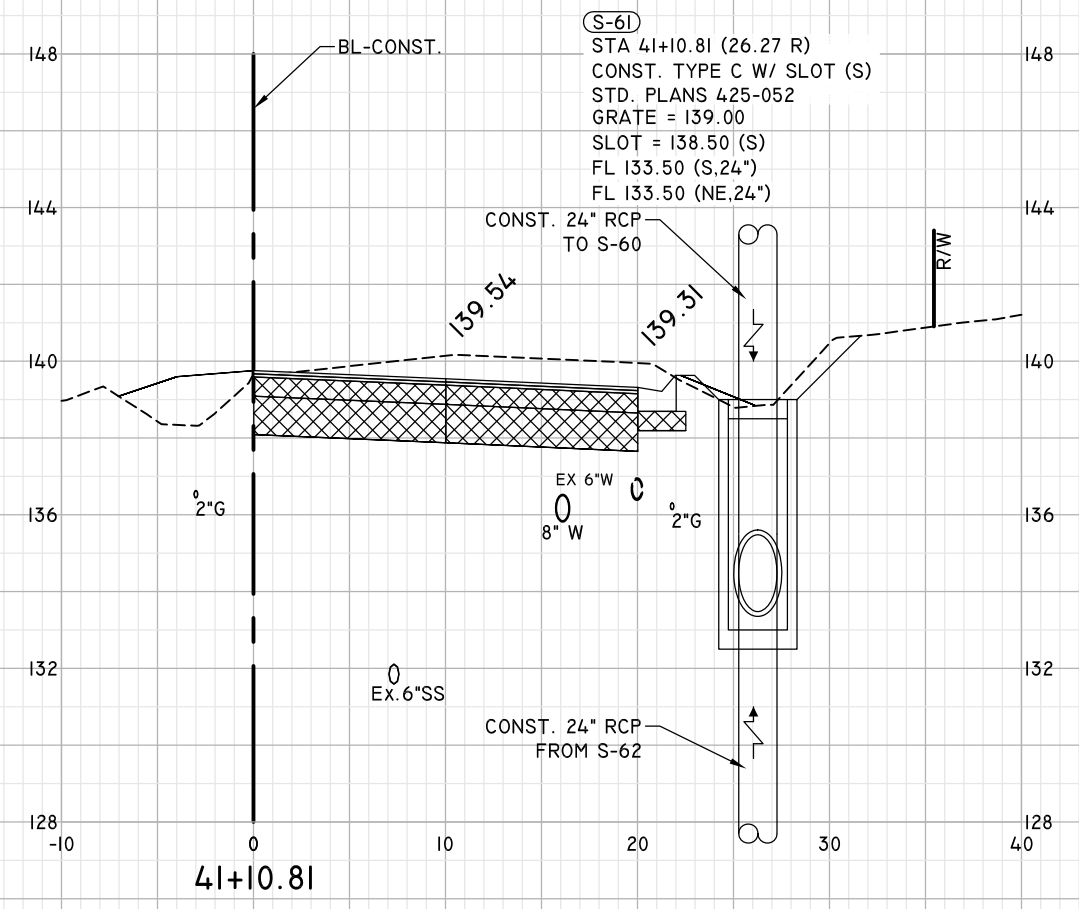
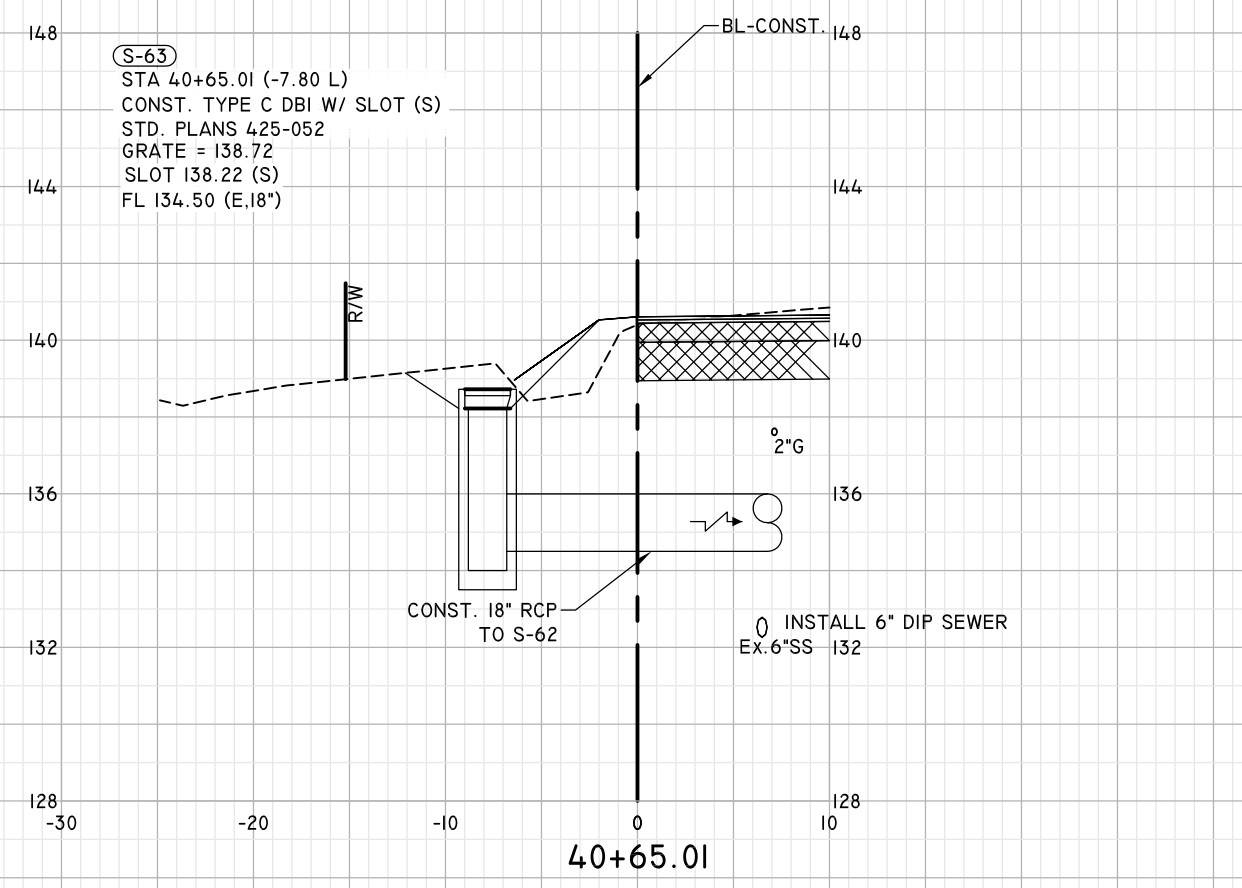
EUTAW, INC.
 ENGINEERING-UTILITIES TRANSPORTATION AND WATER
 2419 S. FLEISCHMANN ROAD, STE. 1
 TALLAHASSEE, FL 32308
 PHONE: (850) 383-9400
 WWW.EUTAWINC.COM
 FPBE REGISTRY #9961

JOB No.	LPL
DRAWN	LPL
DESIGNED	LPL
CHECKED	MWH
QC	LPL



DATE PLOTTED: 12/02/2023 08:39:32 AM
 D:\EUTAW\TSCOTT\Stormwater\Lee Avenue\LEE AVENUE.dwg - 12/02/2023 08:39:32 AM

WEST RANDOLPH CIRCLE



SCALE:
 1" = 10' HOR
 1" = 5' VERT

ENGINEER OF RECORD
 LANE P. LUCAS
 F.P.E. No. 53936
EUTAW, INC.
 2419-1 Fleischmann Road
 Tallahassee, Florida 32308
 FPBE REGISTRY # 9961

ORIGINAL Feb 17, 2024

REVISIONS:	1	2	3	4	5

SHEET

DRAINAGE STRUCTURES

**LEEVE AVENUE
 DRAINAGE
 IMPROVEMENT
 PROJECT**

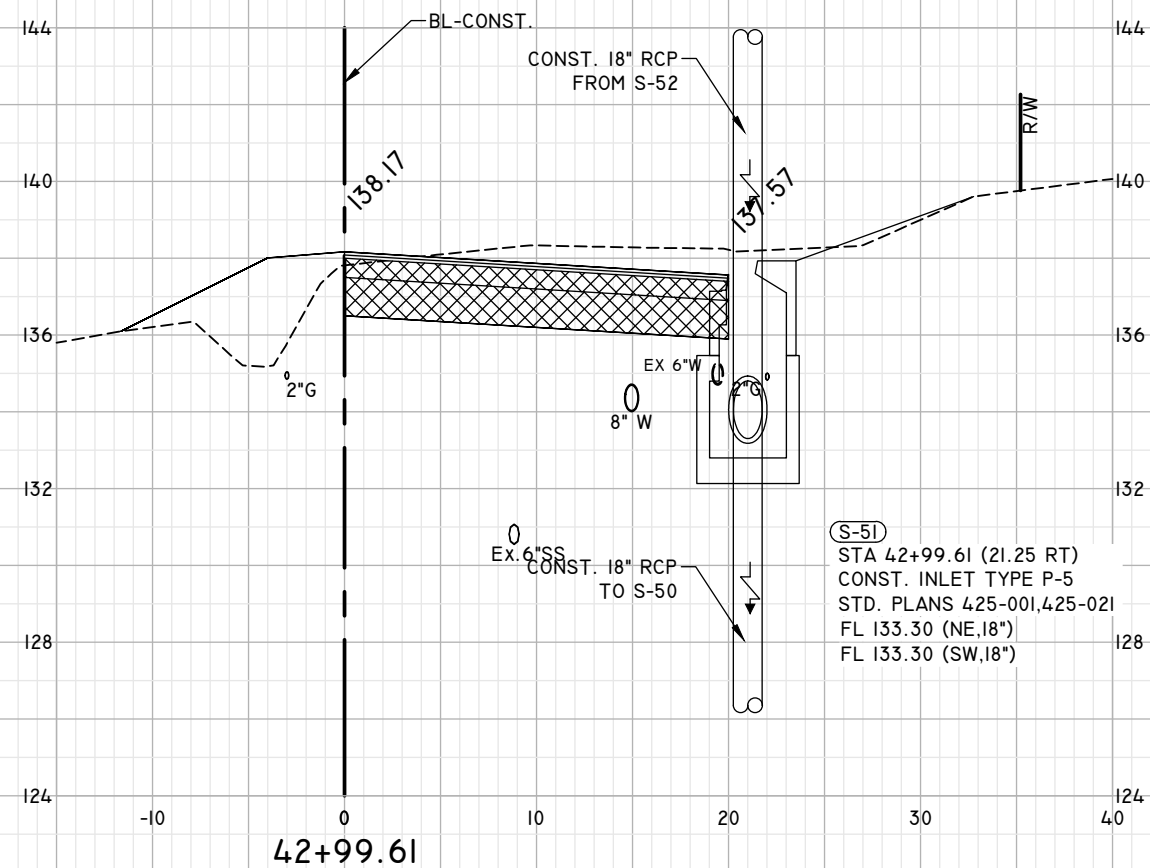
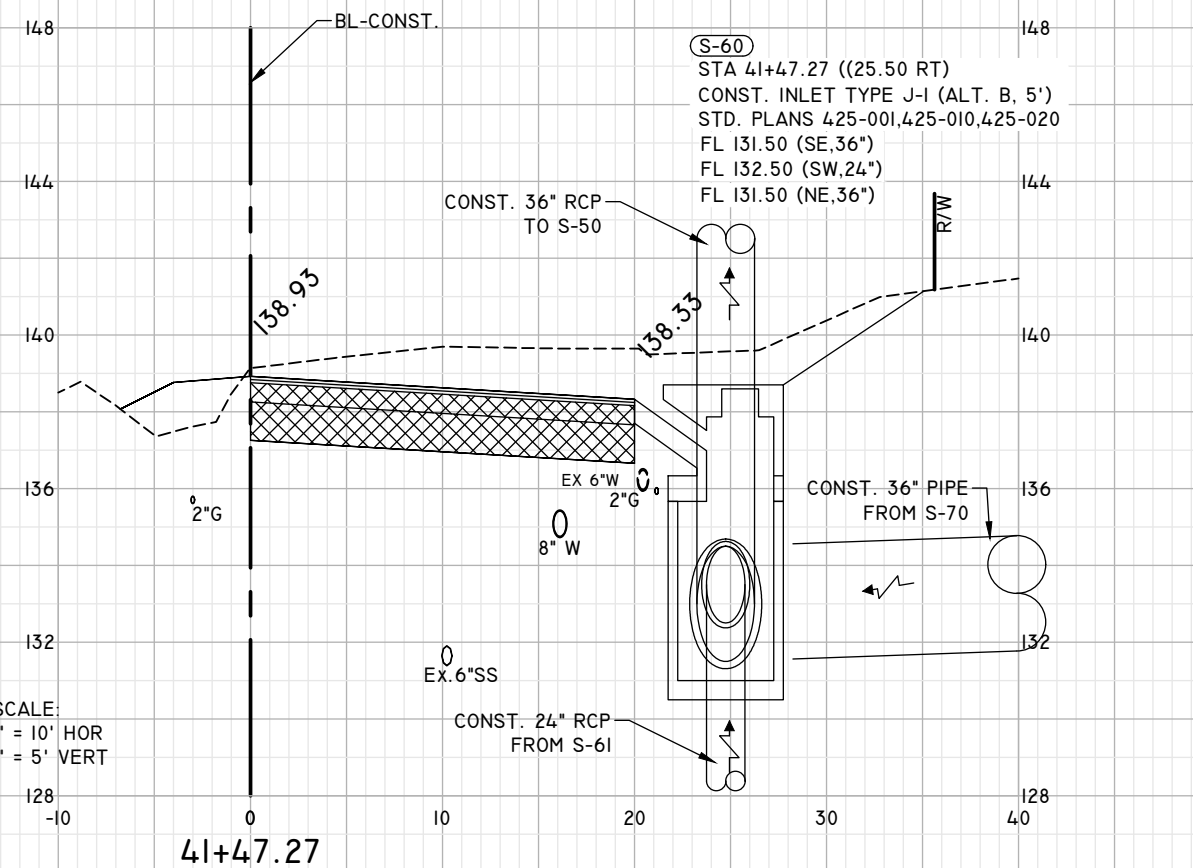
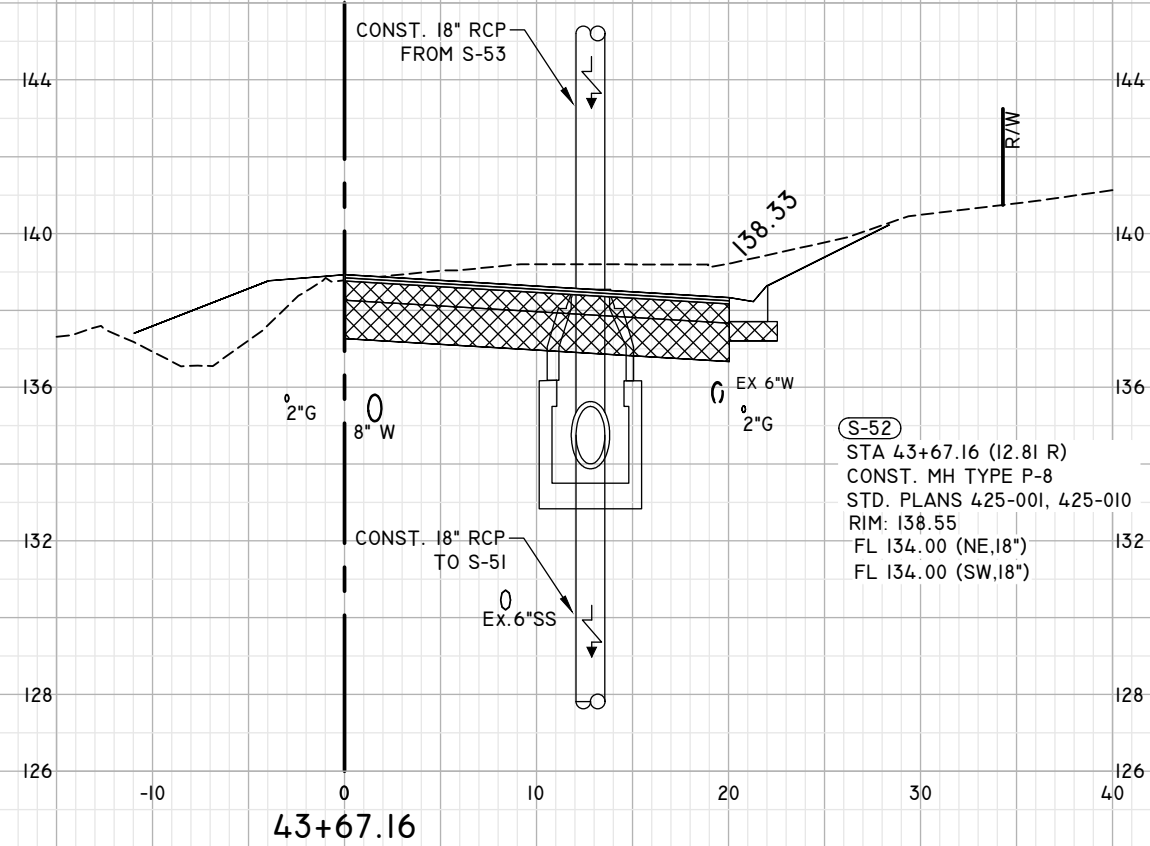
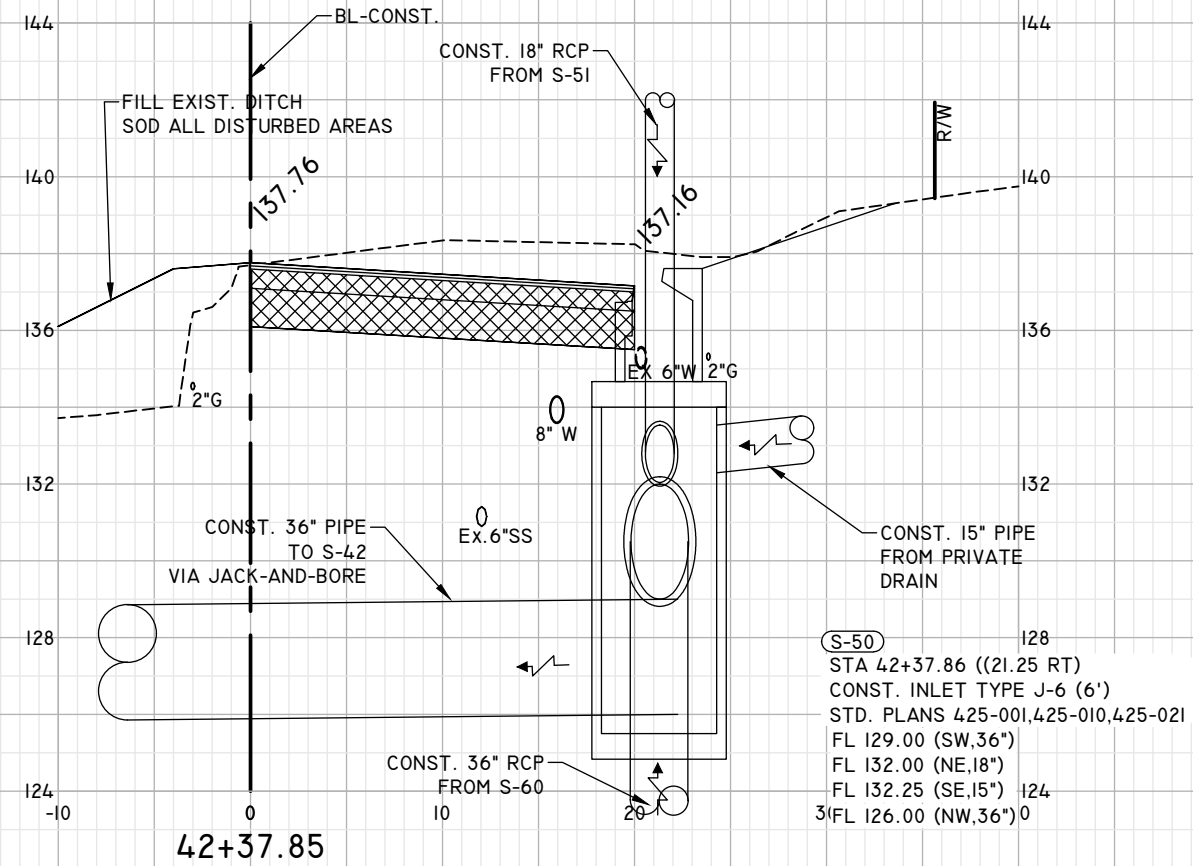
EUTAW, INC.
 ENGINEERING-UTILITIES, TRANSPORTATION, AND WATER
 2419 FLEISCHMANN ROAD, STE. 1
 TALLAHASSEE, FL 32308
 PHONE : (850) 383-0400
 WWW.EUTAWINC.COM
 FPBE REGISTRY #9961

JOB No.	
DRAWN	LPL
DESIGNED	LPL
CHECKED	MWH
QC	LPL

SHEET

21

U:\Projects\2024\Leeve Ave\DWG\Leeve Ave.dwg - 02/17/2024 10:24:12 AM



SCALE:
 1" = 10' HOR
 1" = 5' VERT

ENGINEER OF RECORD
 LANE P. LUCAS
 F.L.P.E. No. 53936
EUTAW, INC.
 2419-1 Fleischmann Road
 Tallahassee, Florida 32308
 FPBE REGISTRY # 9961

NO.	REVISIONS
1	
2	
3	
4	
5	

PROJECT
LEE AVENUE DRAINAGE IMPROVEMENT PROJECT

DATE
 Dec 02, 2023

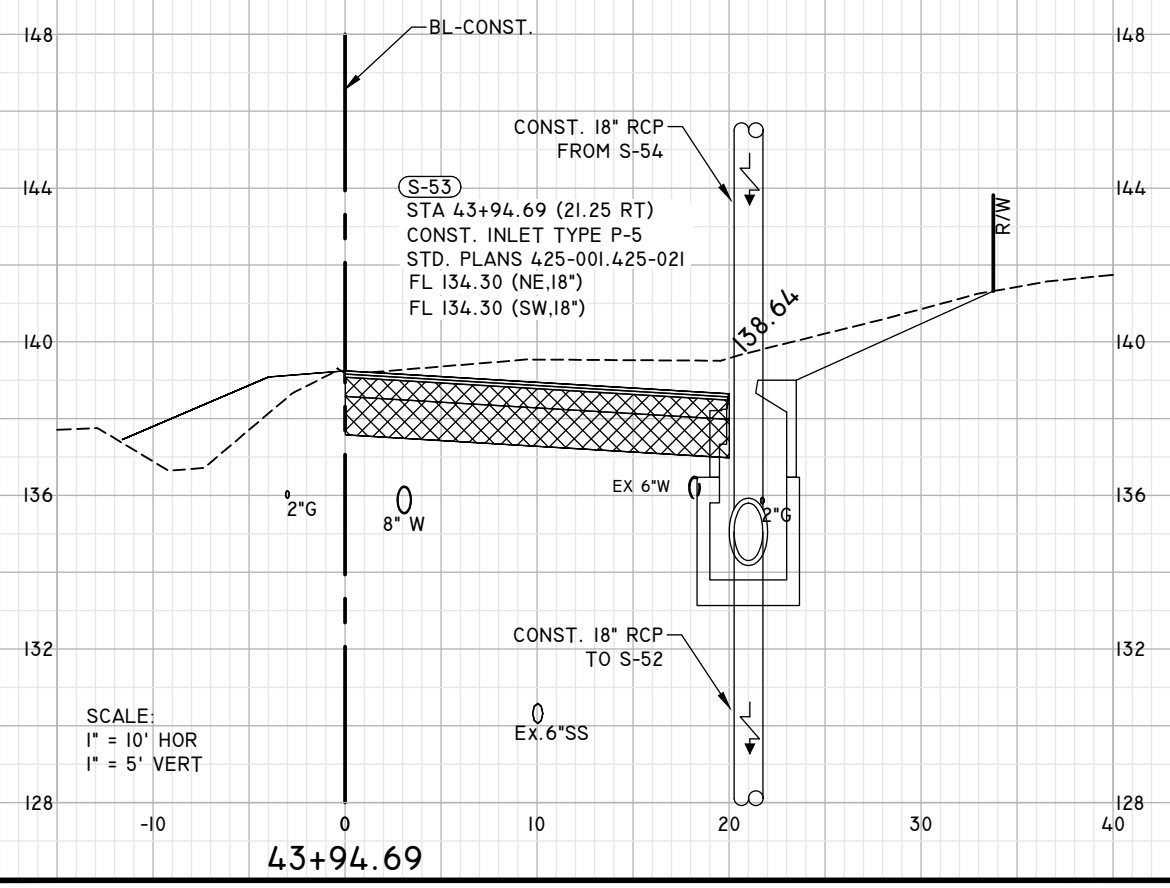
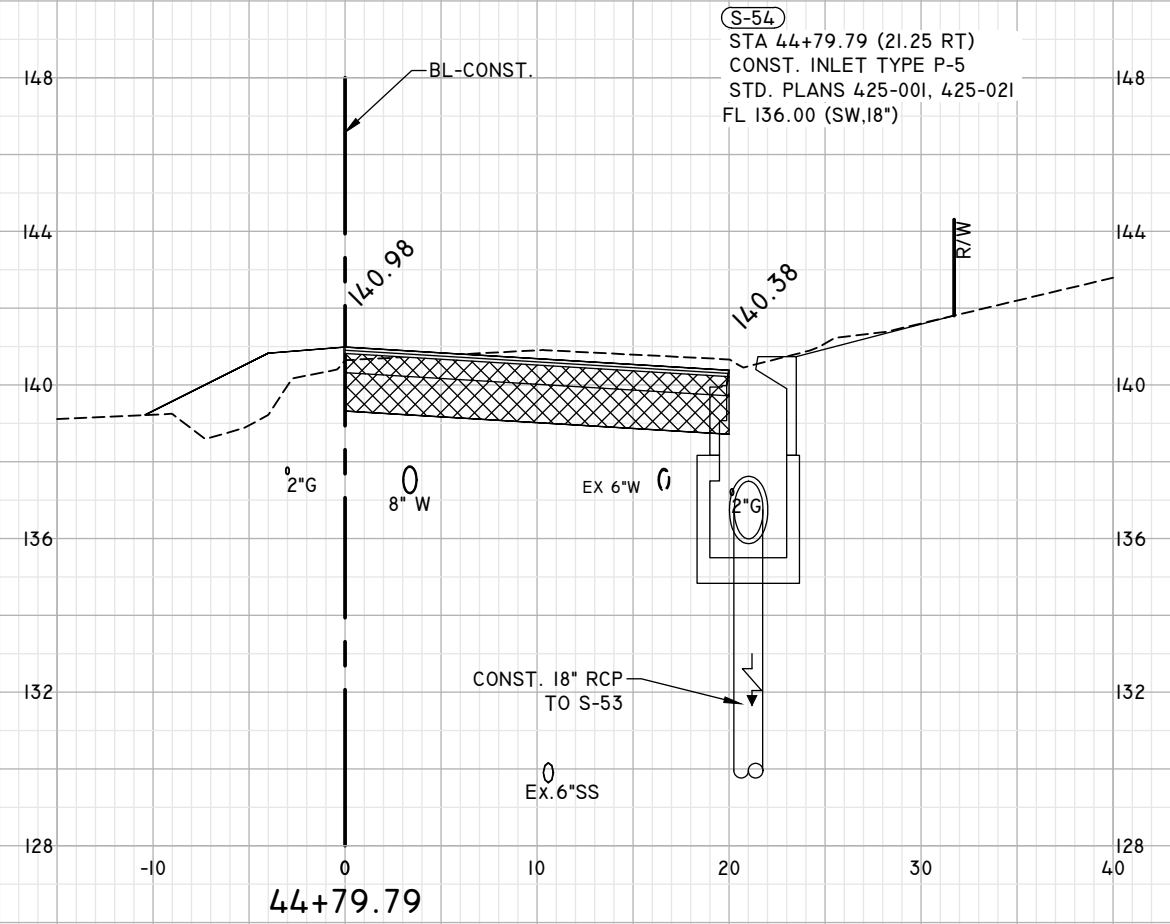
PROJECT
EUTAW, INC.
 ENGINEERING-UTILITIES TRANSPORTATION AND WATER
 2419 FLEISCHMANN ROAD, STE. 1
 TALLAHASSEE, FL 32308
 PHONE : (850) 383-0400
 WWW.EUTAWINC.COM
 FPBE REGISTRY #9961

JOB No.	LPL
DRAWN	LPL
DESIGNED	LPL
CHECKED	MWH
QC	LPL

SHEET
22

U:\1\1001\Stormwater\Lee Avenue\Lee Avenue.dwg - 12/02/2023 08:39:56 AM

WEST RANDOLPH CIRCLE



SCALE:
1" = 10' HOR
1" = 5' VERT

S-54
STA 44+79.79 (21.25 RT)
CONST. INLET TYPE P-5
STD. PLANS 425-001, 425-021
FL 136.00 (SW,18")

BL-CONST.

140.98

140.38

2°G

8" W

EX 6" W

2" G

CONST. 18" RCP
TO S-53

EX. 6" SS

R/W

44+79.79

BL-CONST.

CONST. 18" RCP
FROM S-54

S-53
STA 43+94.69 (21.25 RT)
CONST. INLET TYPE P-5
STD. PLANS 425-001, 425-021
FL 134.30 (NE,18")
FL 134.30 (SW,18")

2°G

8" W

EX 6" W

138.64

CONST. 18" RCP
TO S-52

EX. 6" SS

R/W

43+94.69

ENGINEER OF RECORD
LANE P. LUCAS
F.L.P.E. No. 53836
EUTAW, INC.
2419-Fleischmann Road
Tallahassee, Florida 32308
FBPE REGISTRY # 9961

ORIGINAL Dec 02, 2023

REVISIONS

1	
2	
3	
4	
5	

SHEET
DRAINAGE STRUCTURES

PROJECT
**LEE AVENUE
DRAINAGE
IMPROVEMENT
PROJECT**

EUTAW, INC.
ENGINEERING-UTILITIES TRANSPORTATION AND WATER
2419 FLEISCHMANN ROAD, STE. 1
TALLAHASSEE, FL 32308
PHONE : (850) 383-9400
WWW.EUTAWINC.COM
FBPE REGISTRY #9961

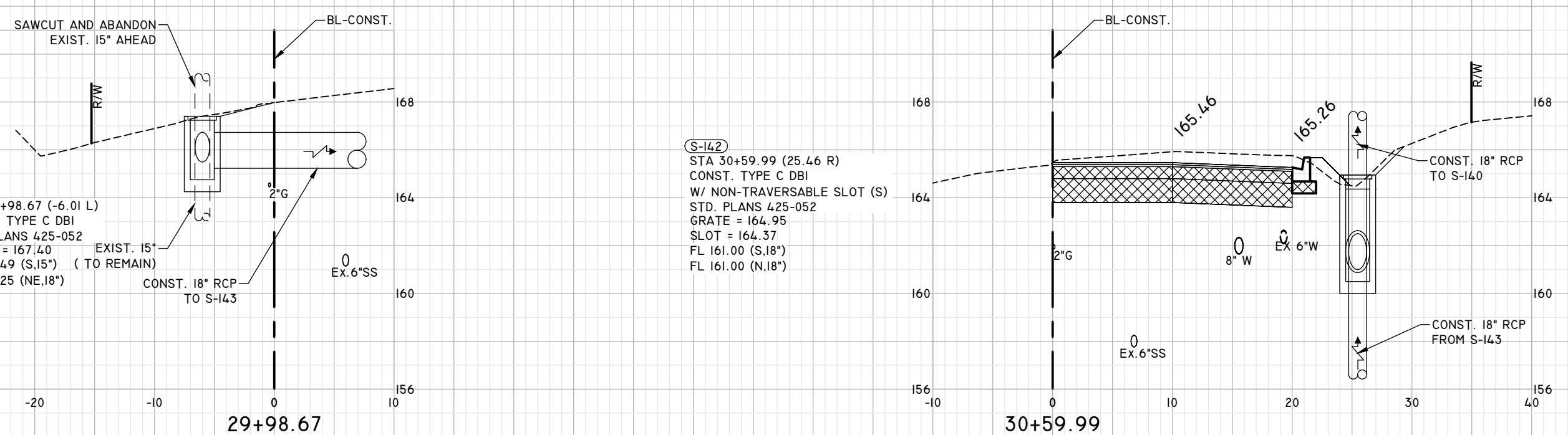
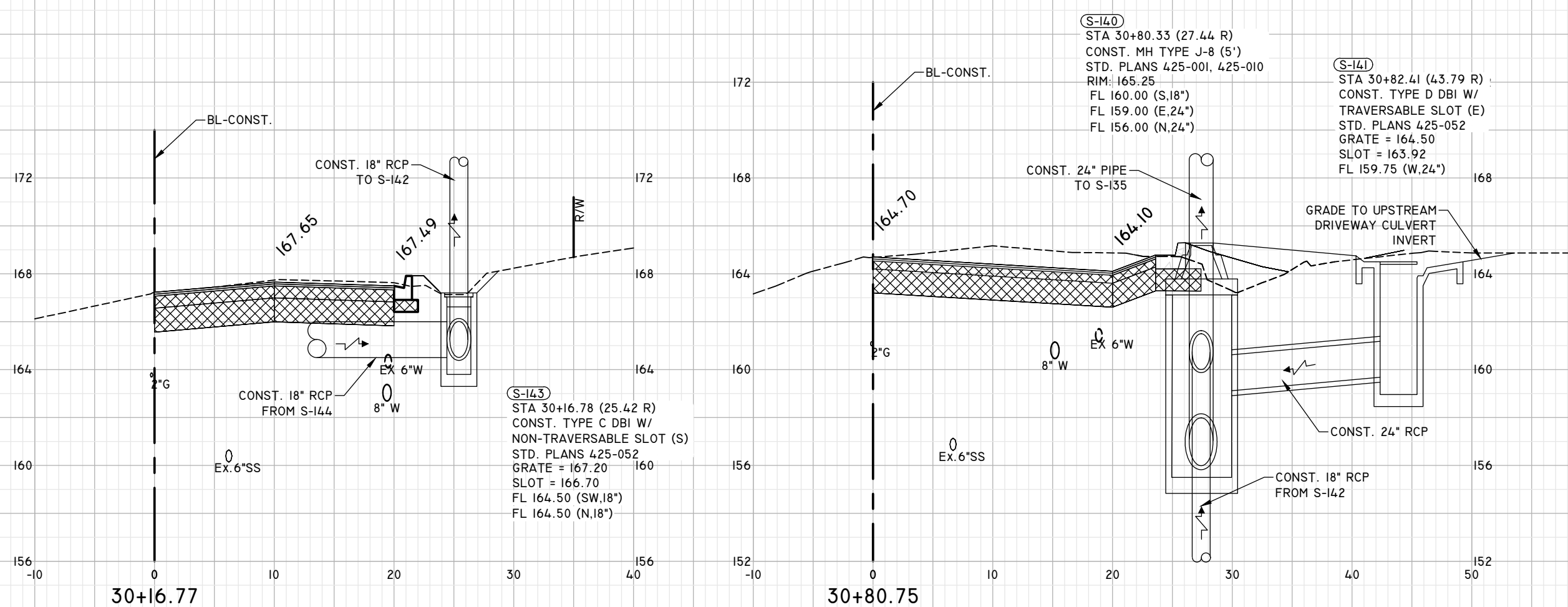
JOB No.

DRAWN	LPL
DESIGNED	LPL
CHECKED	MWH
QC	LPL

SHEET
23

D:\Projects\2023\Lee Avenue\DWG\Lee Avenue.dwg - 12/02/2023 08:40:05 AM

LEE AVENUE



SCALE:
 1" = 10' HOR
 1" = 5' VERT

ENGINEER OF RECORD
 LANE P. LUCAS
 F.P.E. No. 53836
EUTAW, INC.
 2419-1 Fleischmann Road
 Tallahassee, Florida 32308
 FPBE REGISTRY # 9961

Dec 02, 2023

NO.	REVISIONS
1	
2	
3	
4	
5	

SHEET
 PROJECT
**LEE AVENUE
 DRAINAGE
 IMPROVEMENT
 PROJECT**

PROJECT
EUTAW, INC.
 ENGINEERING-UTILITIES, TRANSPORTATION, AND WATER
 2419 FLEISCHMANN ROAD, STE. 1
 TALLAHASSEE, FL 32308
 PHONE : (850) 383-9400
 WWW.EUTAWINC.COM
 FPBE REGISTRY #9961

JOB No.	LPL
DRAWN	LPL
DESIGNED	LPL
CHECKED	MWH
QC	LPL
SHEET	24

U:\1\1007 Stormwater\Lee Avenue\Lee Avenue.dwg - 12/02/2023 08:40:18 AM

ORIGINAL: Feb 17, 2024

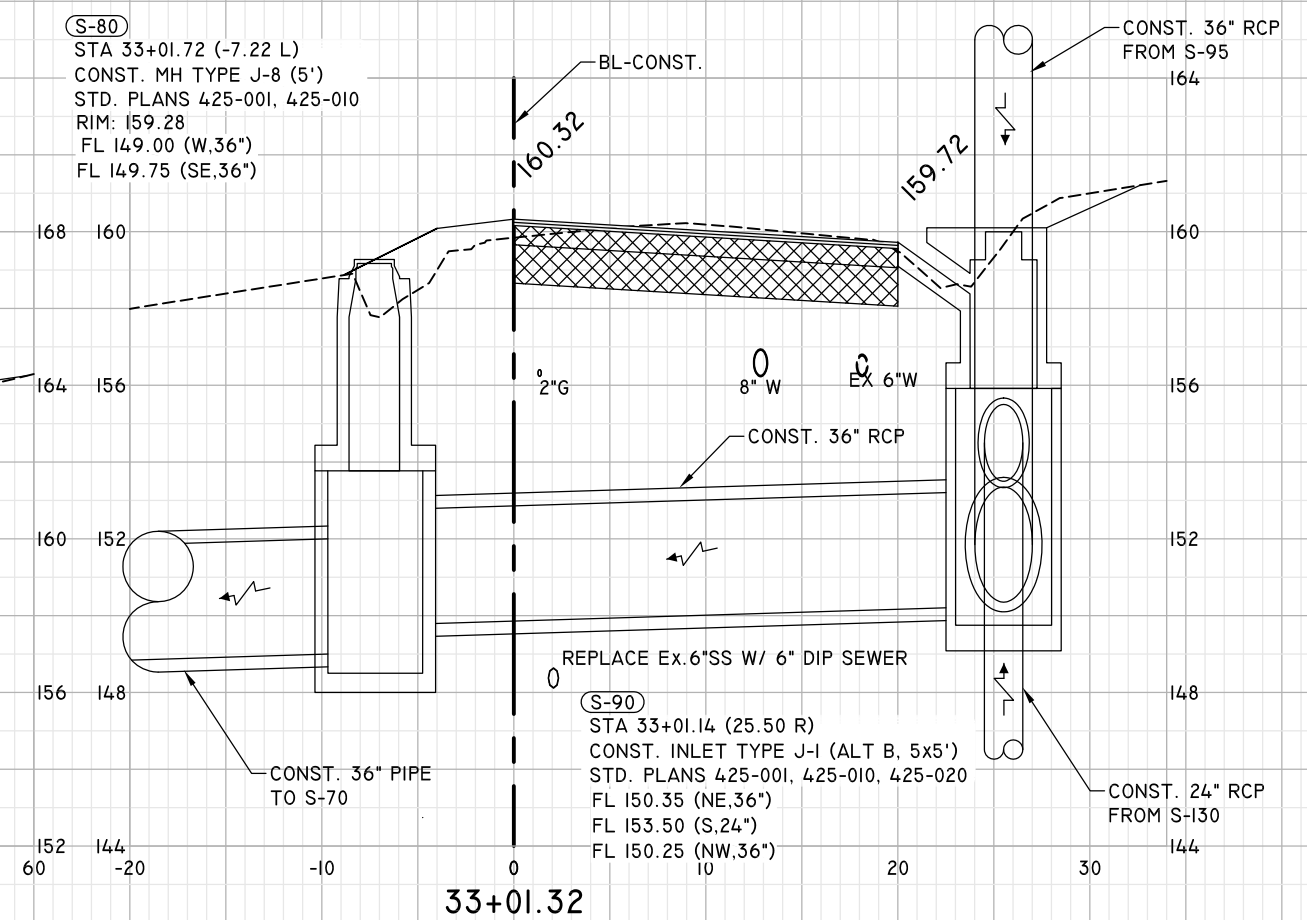
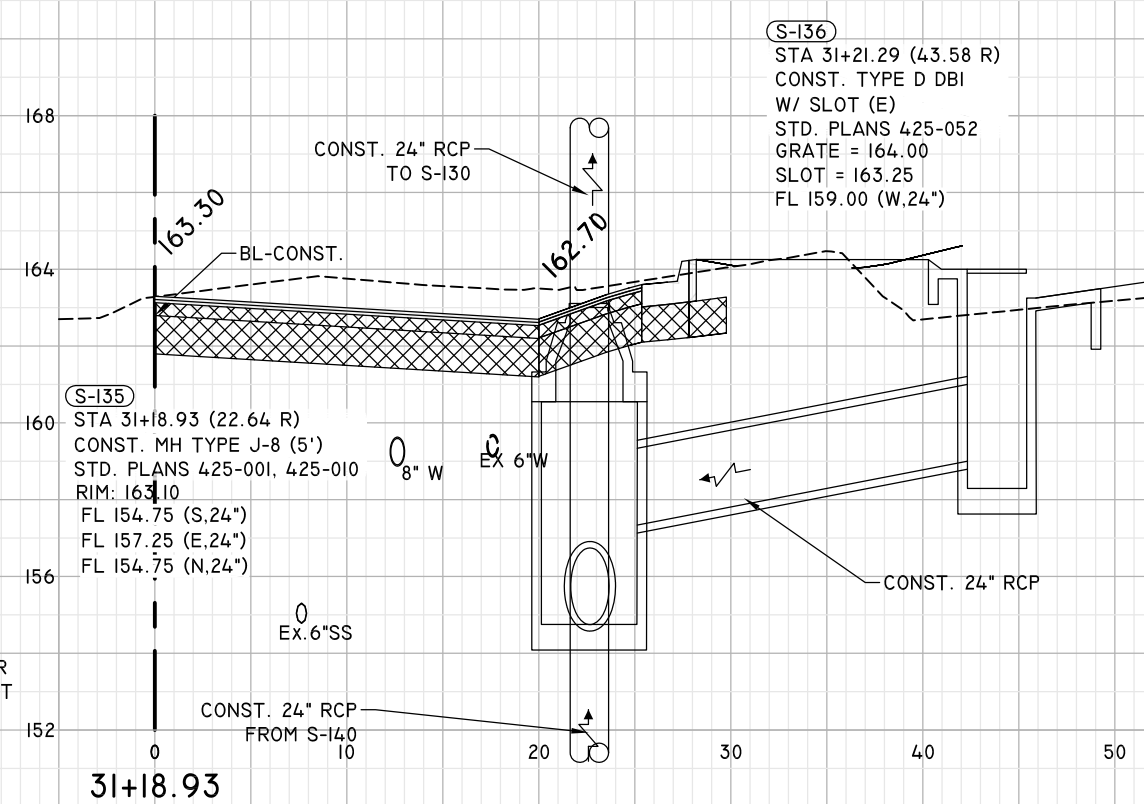
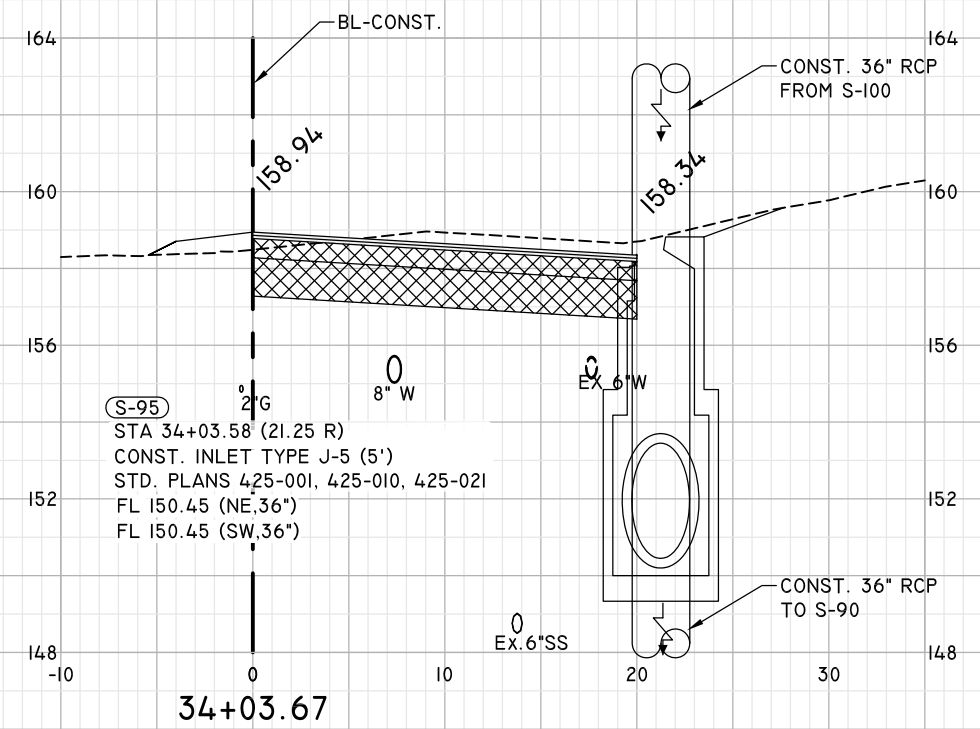
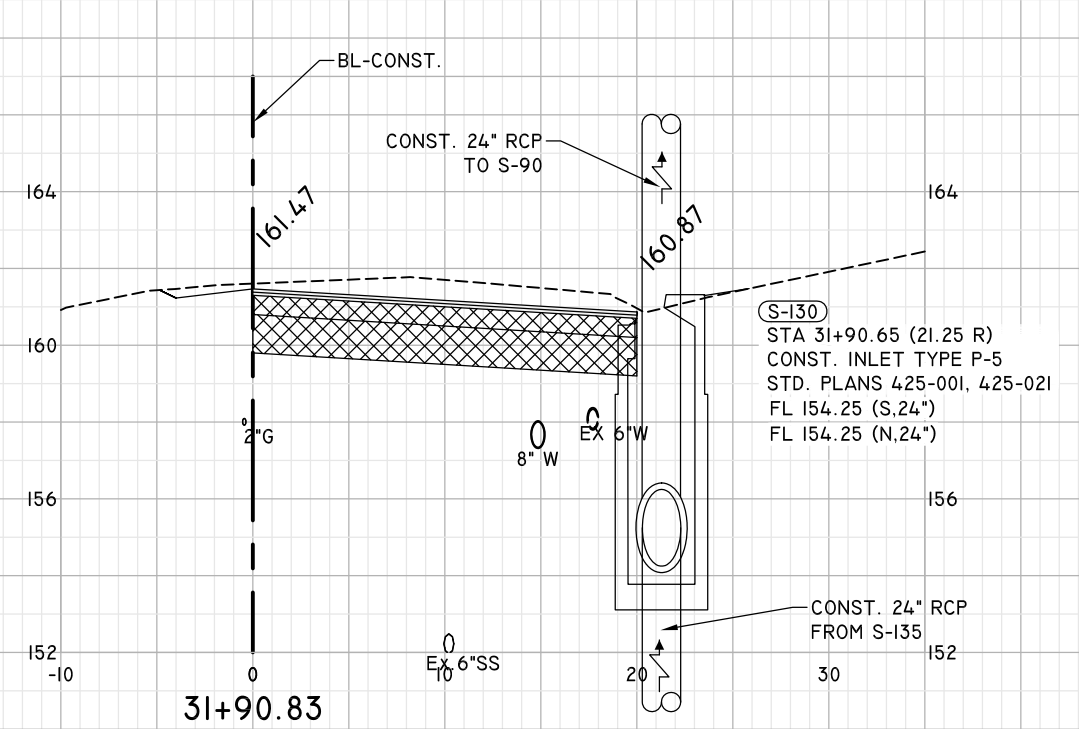
REVISIONS:	1	2	3	4	5

DRAINAGE STRUCTURES

LEE AVENUE DRAINAGE IMPROVEMENT PROJECT

EUTAW, INC.
 ENGINEERING-UTILITIES, TRANSPORTATION, AND WATER
 2419 FLEISCHMANN ROAD, STE. 1 TALLAHASSEE, FL 32308
 PHONE : (850) 383-0400
 WWW.EUTAWINC.COM
 FPBE REGISTRY #9961

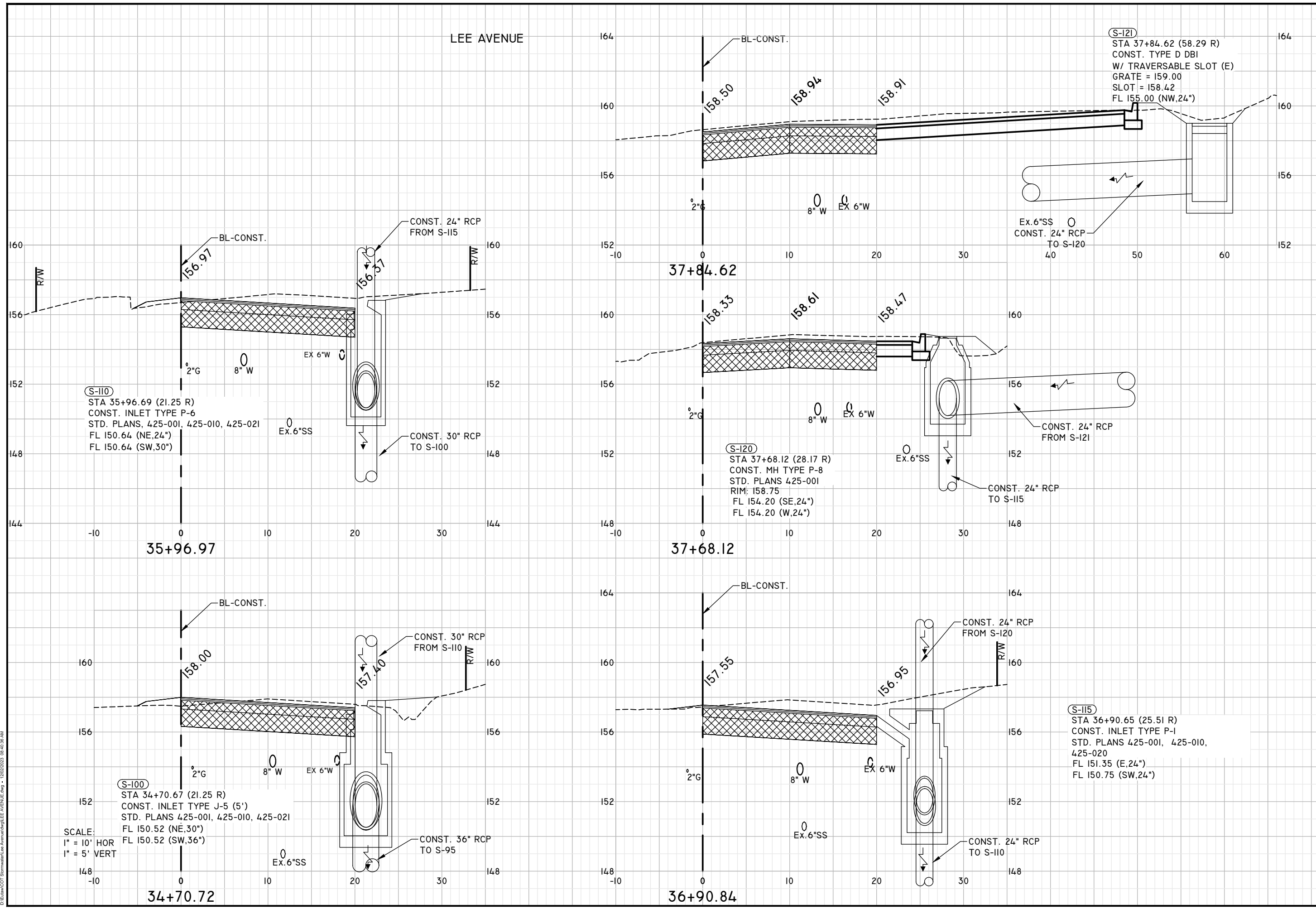
JOB No.	LPL
DRAWN	LPL
DESIGNED	LPL
CHECKED	MWH
QC	LPL



SCALE:
 1" = 10' HOR
 1" = 5' VERT

U:\Projects\2024\Lee Avenue\Drawings\Lee Avenue.dwg - 02/17/2024 10:25:57 AM

DATE PLOTTED: 12/02/2023 08:40:38 AM
 D:\BIBACOT\Stormwater\Lee Avenue\Lee Avenue.dwg - 12/02/2023 08:40:38 AM



LEE AVENUE

(S-121)
 STA 37+84.62 (58.29 R)
 CONST. TYPE D DBI
 W/ TRAVERSABLE SLOT (E)
 GRATE = 159.00
 SLOT = 158.42
 FL 155.00 (NW,24")

(S-110)
 STA 35+96.69 (21.25 R)
 CONST. INLET TYPE P-6
 STD. PLANS, 425-001, 425-010, 425-021
 FL 150.64 (NE,24")
 FL 150.64 (SW,30")

(S-120)
 STA 37+68.12 (28.17 R)
 CONST. MH TYPE P-8
 STD. PLANS 425-001
 RIM: 158.75
 FL 154.20 (SE,24")
 FL 154.20 (W,24")

(S-100)
 STA 34+70.72 (21.25 R)
 CONST. INLET TYPE J-5 (5')
 STD. PLANS 425-001, 425-010, 425-021
 FL 150.52 (NE,30")
 FL 150.52 (SW,36")

(S-115)
 STA 36+90.84 (25.51 R)
 CONST. INLET TYPE P-1
 STD. PLANS 425-001, 425-010,
 425-020
 FL 151.35 (E,24")
 FL 150.75 (SW,24")

SCALE:
 1" = 10' HOR
 1" = 5' VERT

ENGINEER OF RECORD
 LANE P. LUCAS
 F.L.P.E. No. 53936
 EUTAW, INC.
 2419-1 Fleischmann Road
 Tallahassee, Florida 32308
 FPBE REGISTRY # 9961

Dec 02, 2023

ORIGINAL	REVISIONS
1	
2	
3	
4	
5	

SHEET
 DRAINAGE STRUCTURES

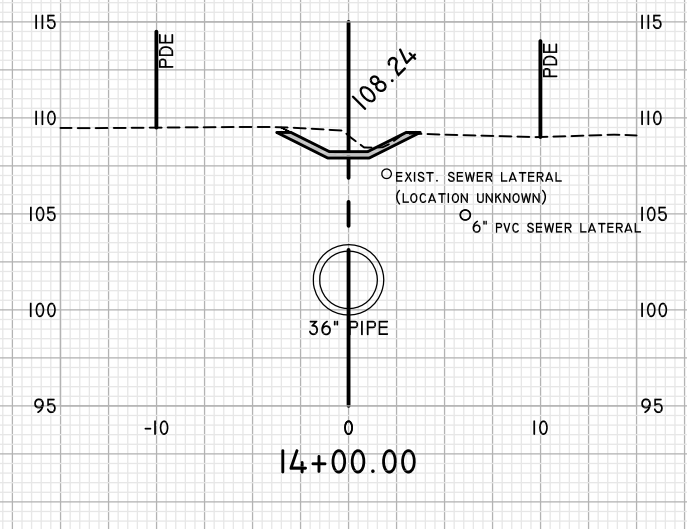
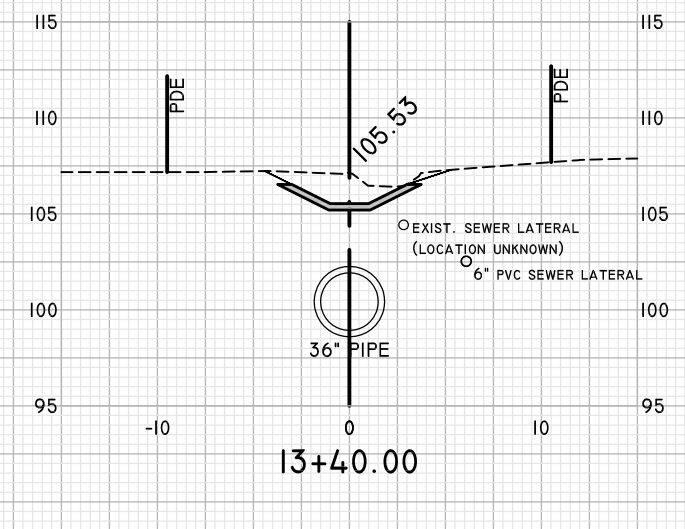
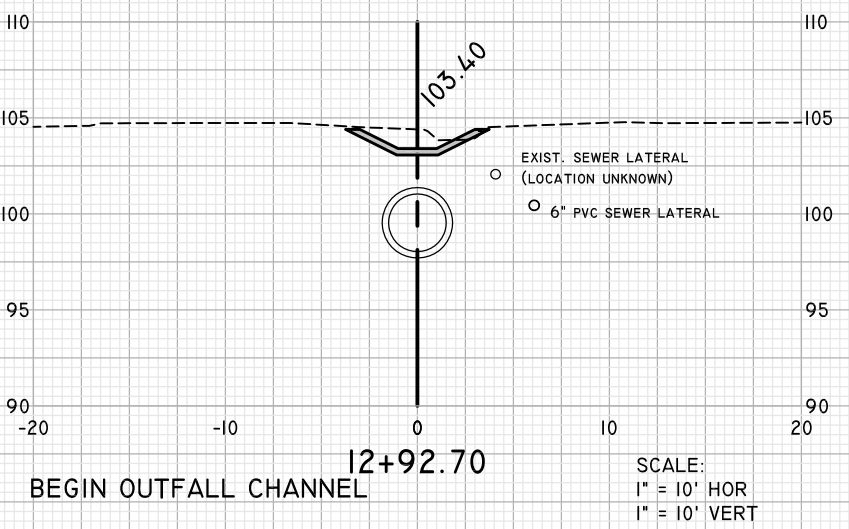
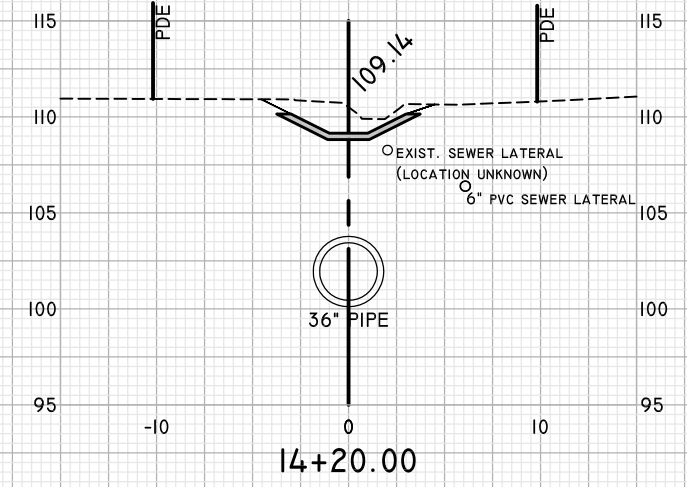
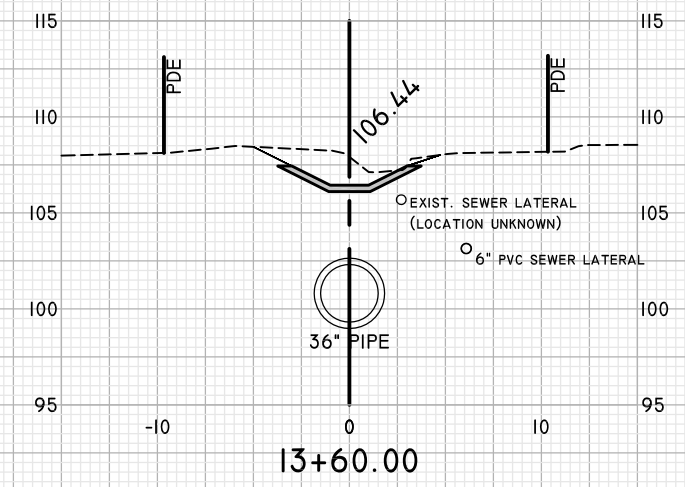
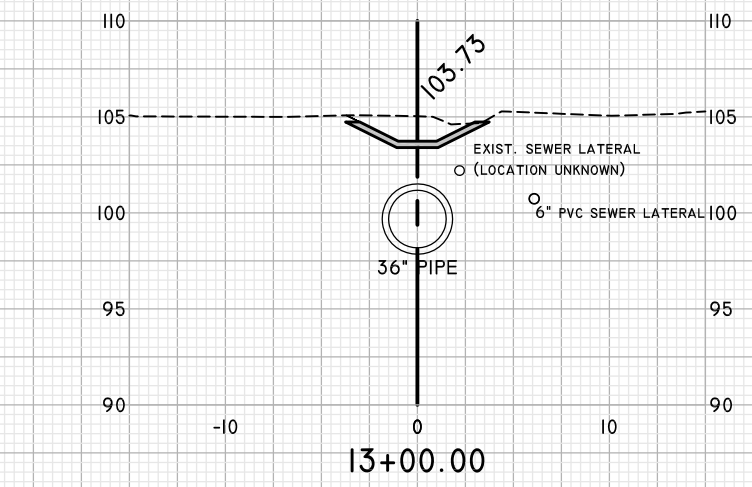
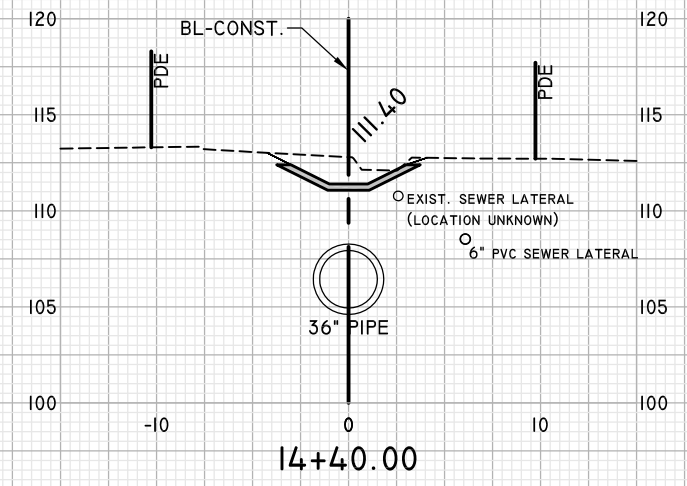
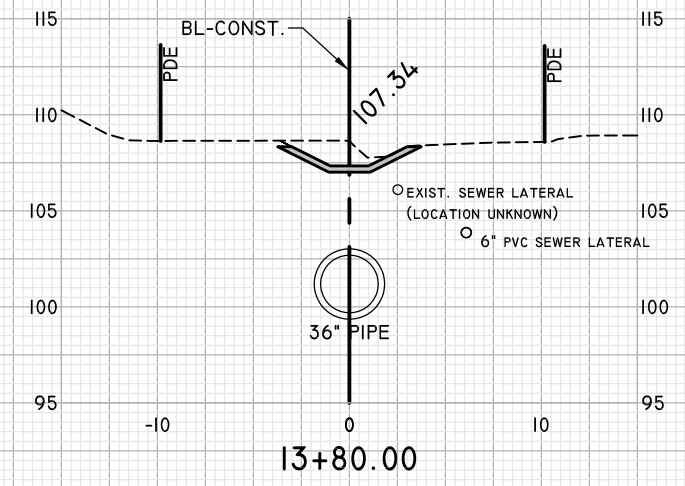
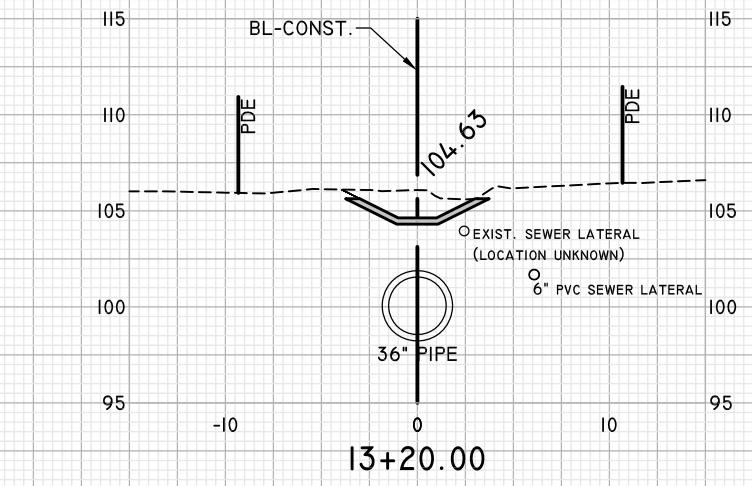
PROJECT
 LEE AVENUE
 DRAINAGE
 IMPROVEMENT
 PROJECT

EUTAW, INC.
 ENGINEERING-UTILITIES, TRANSPORTATION, AND WATER
 2419 FLEISCHMANN ROAD, STE. 1
 TALLAHASSEE, FL 32308
 PHONE: (850) 383-9400
 WWW.EUTAWINC.COM
 FPBE REGISTRY #9961

JOB No.	LPL
DRAWN	LPL
DESIGNED	LPL
CHECKED	MWH
QC	LPL

SHEET
 26

DATE: 02/17/2024 10:03:32 AM
DRAWN BY: EUTAW, INC. ENGINEERING-UTILITIES, TRANSPORTATION, AND WATER



SCALE:
1" = 10' HOR
1" = 10' VERT

OUTFALL

ENGINEER OF RECORD
LANE P. LUCAS
F.L.P.E. No. 53836
Eutaw, Inc.
2419-Fleischmann Road
Tallahassee, Florida 32308
(850) 383-9400
FBPE REGISTRY #9961
Date

ORIGINAL: Feb 17, 2024

REVISIONS:

1	
2	
3	
4	
5	

CROSS SECTIONS

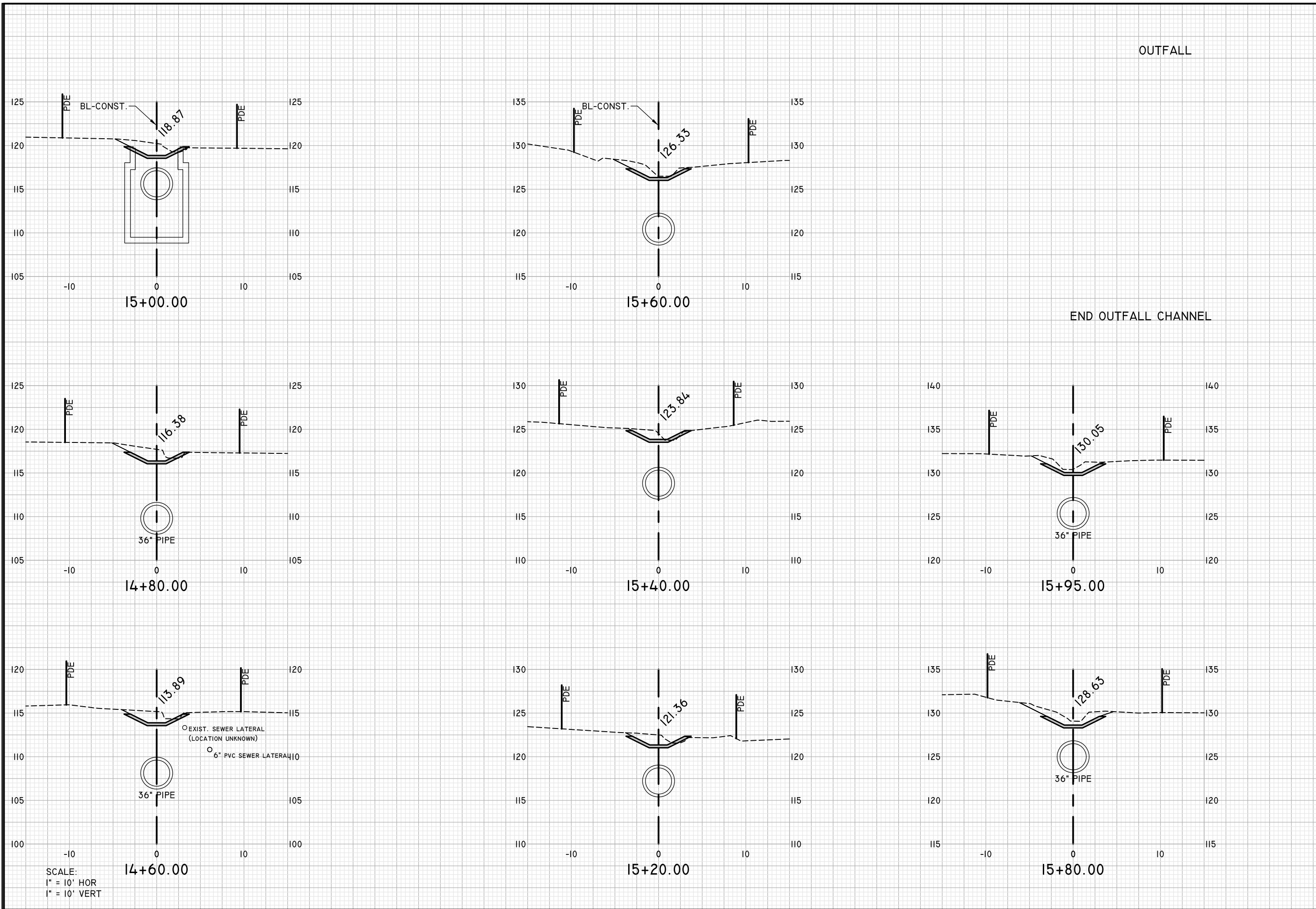
LEE AVENUE
DRAINAGE
IMPROVEMENT
PROJECT

Eutaw, Inc.
ENGINEERING-UTILITIES, TRANSPORTATION, AND WATER
2419 FLEISCHMANN ROAD, STE. 1
TALLAHASSEE, FL 32308
PHONE : (850) 383-9400
WWW.EUTAWINC.COM
FBPE REGISTRY #9961

JOB No. _____
DRAWN LPL _____
DESIGNED LPL _____
CHECKED MWH _____
QC LPL _____

SHEET 27

U:\Projects\2024\Lee Avenue\DWG\172024_0004-13.dwg 02/17/2024 10:04:13 AM



SCALE:
1" = 10' HOR
1" = 10' VERT

OUTFALL

END OUTFALL CHANNEL

ENGINEER OF RECORD
LANE P. LUCAS
F.L.P.E. No. 53936
EUTAW, INC.
2419-Fleischmann Road
Tallahassee, Florida 32308
(850) 383-0400
FBPE REGISTRY #9961
Date

ORIGINAL	REVISIONS:
	1
	2
	3
	4
	5

CROSS SECTIONS

PROJECT
**LEE AVENUE
DRAINAGE
IMPROVEMENT
PROJECT**

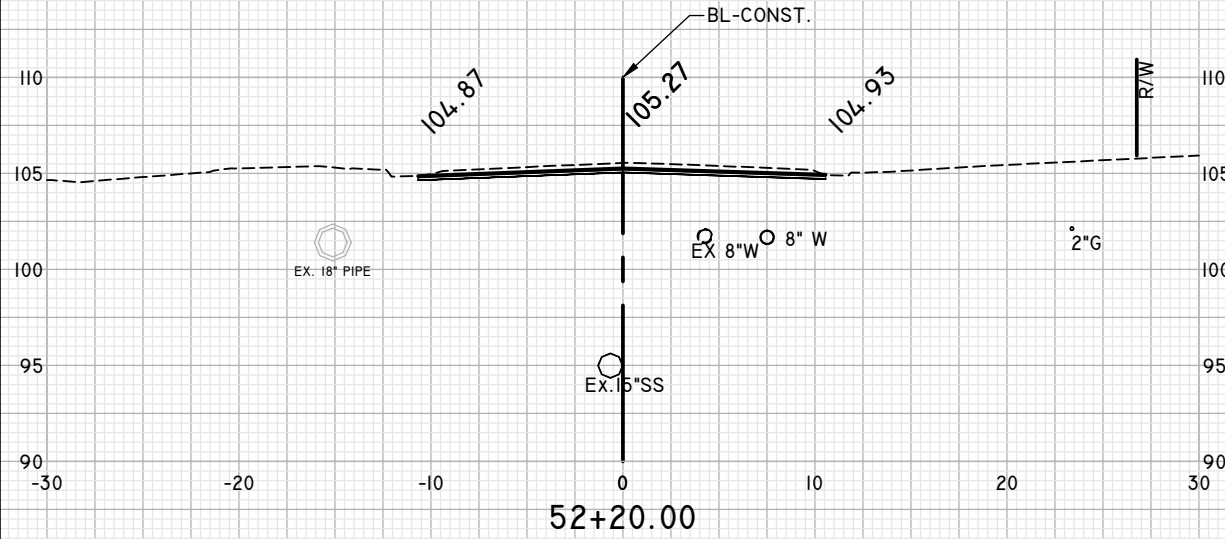
EUTAW, INC.
ENGINEERING-UTILITIES, TRANSPORTATION, AND WATER
2419 FLEISCHMANN ROAD, STE. 1
TALLAHASSEE, FL 32308
PHONE : (850) 383-0400
WWW.EUTAWINC.COM
FBPE REGISTRY #9961

JOB No.	LPL
DRAWN	LPL
DESIGNED	LPL
CHECKED	MWH
QC	LPL

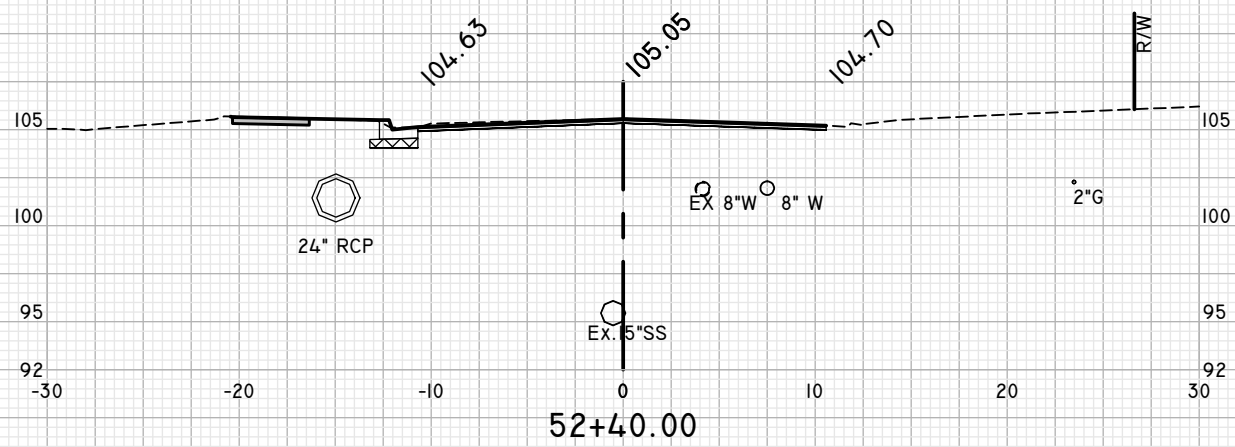
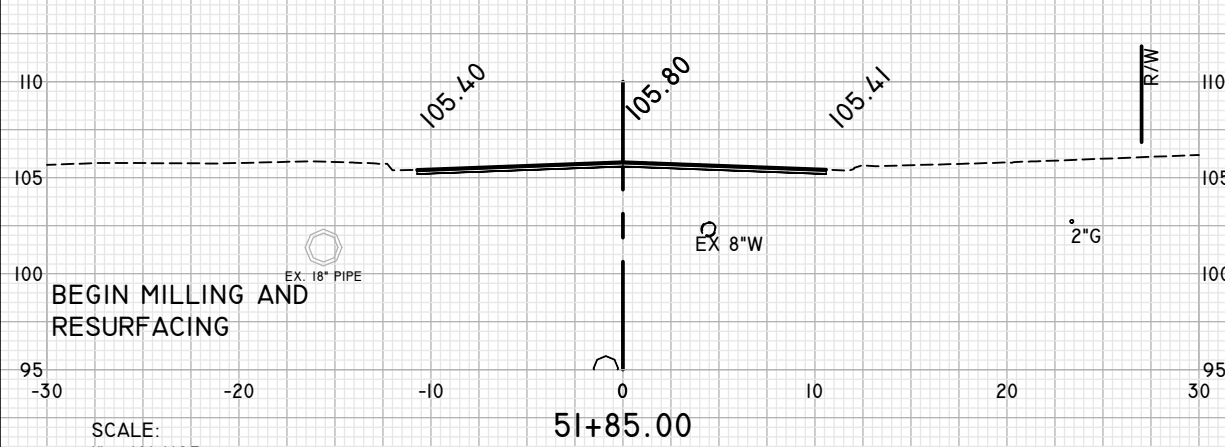
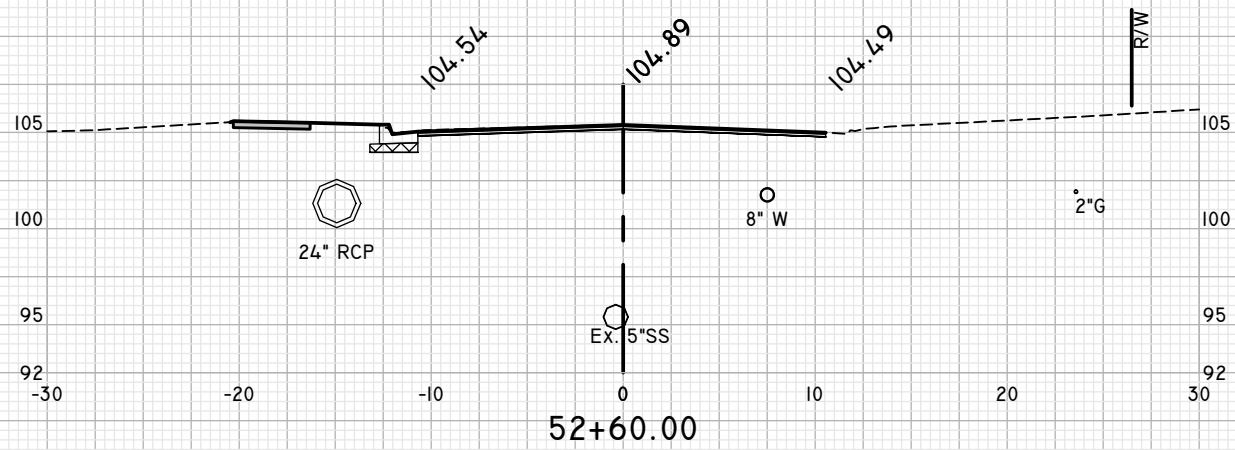
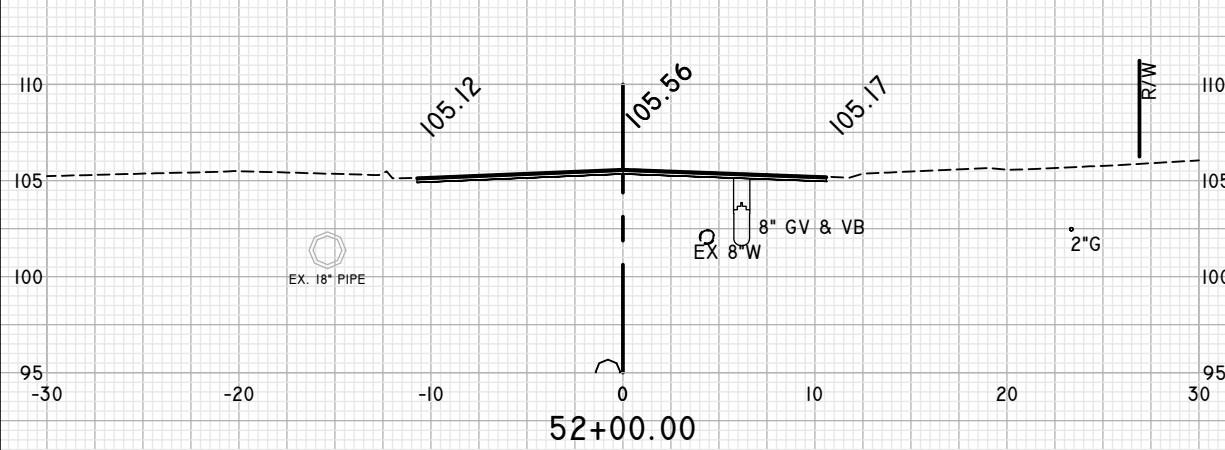
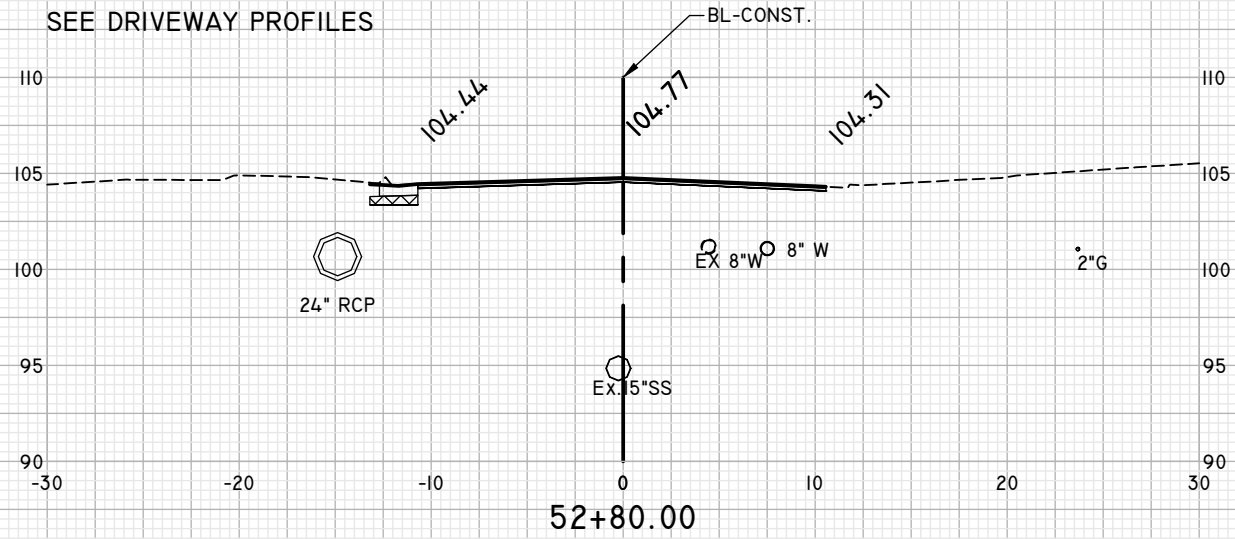
SHEET
28

U:\Projects\2023\Lee Avenue\DWG\Lee Avenue.dwg - 12/02/2023 08:41:11 AM

BEGIN CURB AND SIDEWALK
RECONSTRUCTION
STATION 52+25.00



SEE DRIVEWAY PROFILES



SCALE:
1" = 10' HOR
1" = 10' VERT

BEGIN MILLING AND
RESURFACING

TRESCOTT DRIVE

ENGINEER OF RECORD
LANE P. LUCAS
F.L.P.E. No. 53836
EUTAW, INC.
2419-Fleischmann Road
Tallahassee, Florida 32308
(850) 383-0400
FBPE REGISTRY #9961
Date

ORIGINAL	REVISIONS
	1
	2
	3
	4
	5

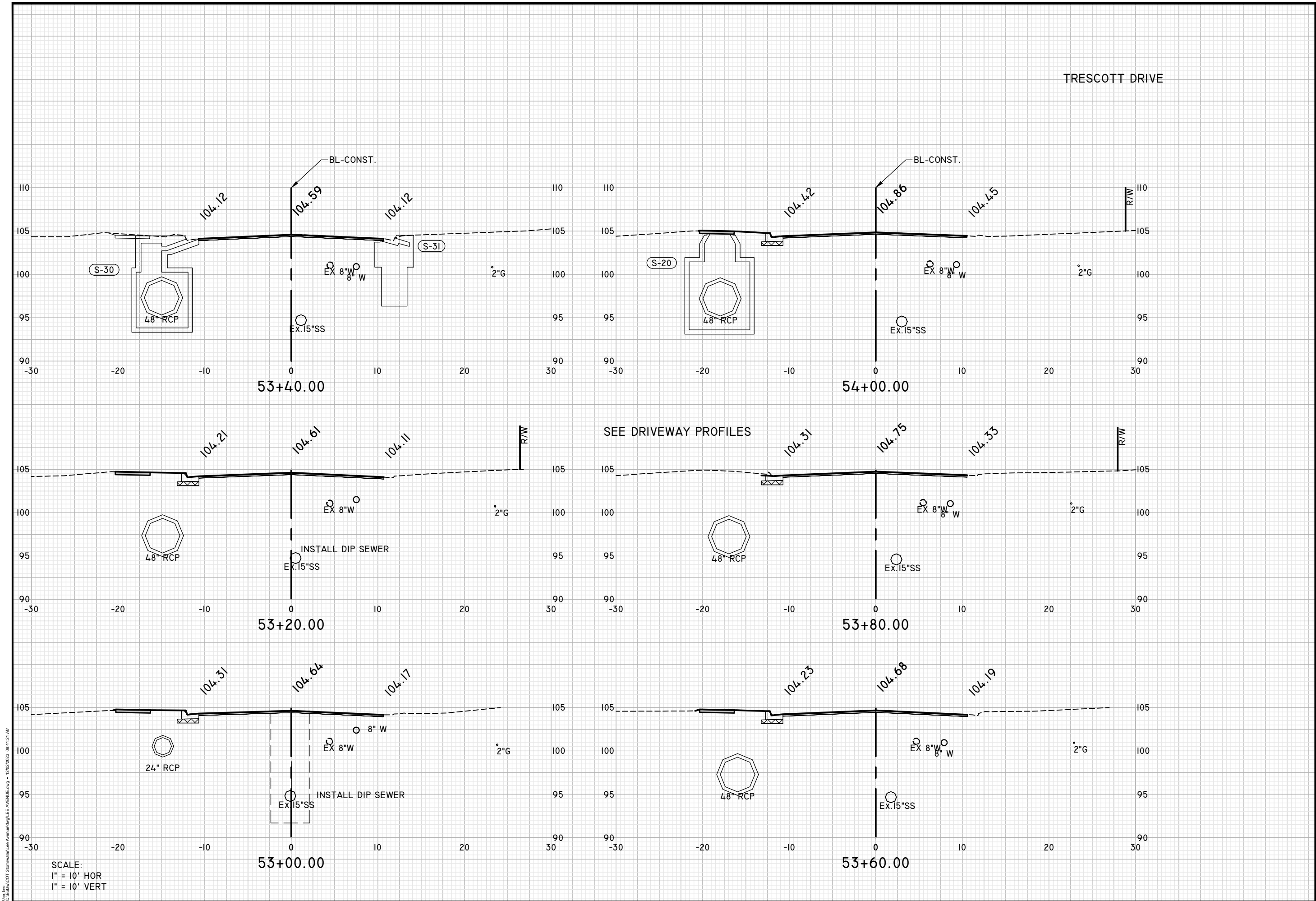
CROSS SECTIONS

LEE AVENUE
DRAINAGE
IMPROVEMENT
PROJECT

EUTAW, INC.
ENGINEERING-UTILITIES, TRANSPORTATION, AND WATER
2419 FLEISCHMANN ROAD, STE. 1
TALLAHASSEE, FL 32308
PHONE : (850) 383-0400
WWW.EUTAWINC.COM
FBPE REGISTRY #9961

JOB No.	LPL
DRAWN	LPL
DESIGNED	LPL
CHECKED	MWH
QC	LPL

SHEET
29



SCALE:
 1" = 10' HOR
 1" = 10' VERT

TRESCOTT DRIVE

ENGINEER OF RECORD
 LANE P. LUCAS
 F.P.E. No. 53836
Eutaw, Inc.
 2419-Fleischmann Road
 Tallahassee, Florida 32308
 (850) 383-0400
 FBPE REGISTRY #9961
 Signature _____ Date _____

ORIGINAL	REVISIONS
	1
	2
	3
	4
	5

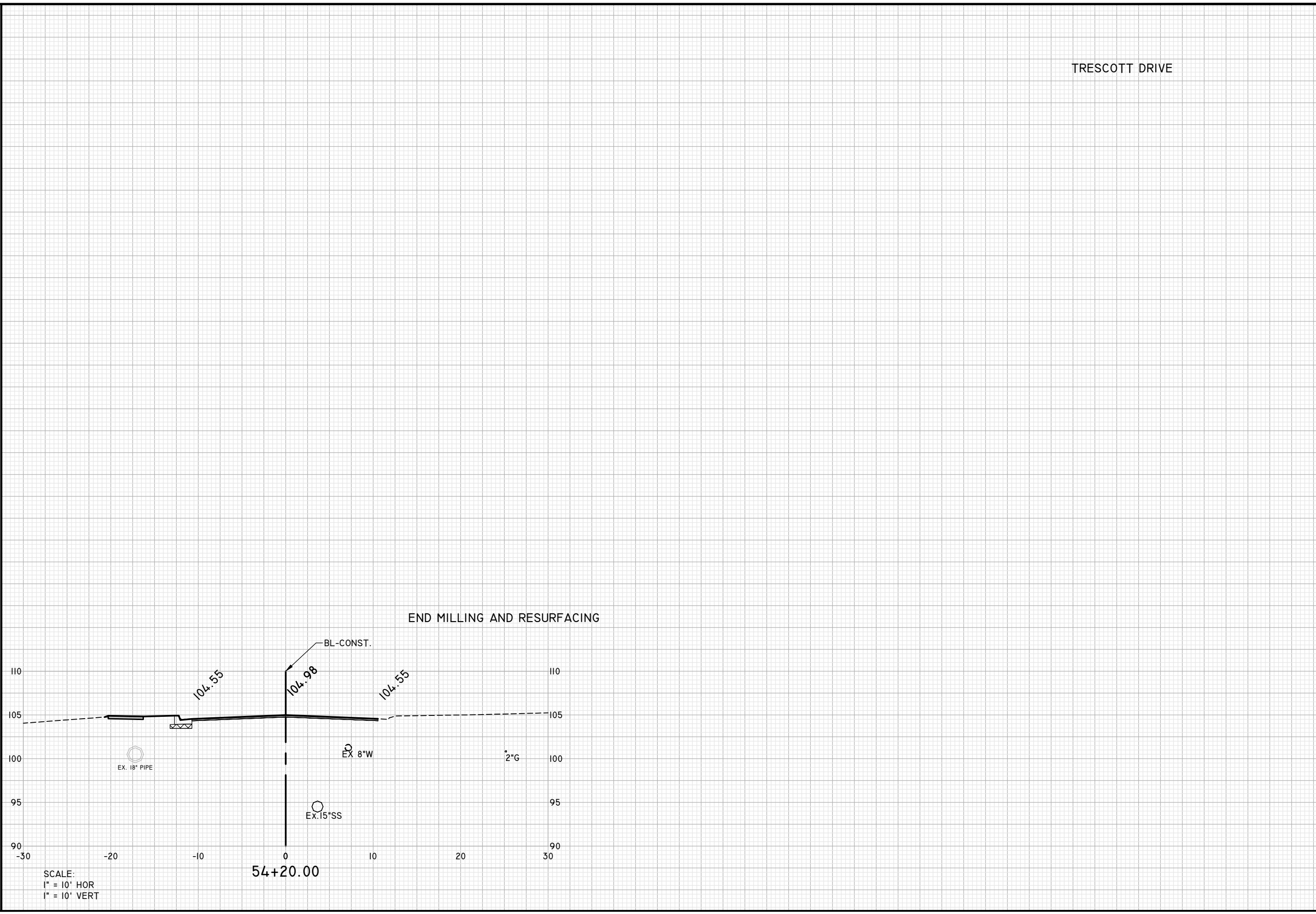
CROSS SECTIONS

LEE AVENUE
 DRAINAGE
 IMPROVEMENT
 PROJECT

Eutaw, Inc.
 ENGINEERING-UTILITIES TRANSPORTATION AND WATER
 2419 FLEISCHMANN ROAD, STE. 1
 TALLAHASSEE, FL 32308
 PHONE : (850) 383-0400
 WWW.EUTAWINC.COM
 FBPE REGISTRY #9961

JOB No.	LPL
DRAWN	LPL
DESIGNED	LPL
CHECKED	MWH
QC	LPL
SHEET	30

U:\1\Lee Ave\1\Lee Ave\1\Lee Ave.dwg - 12/02/2023 08:41:33 AM



SCALE:
 1" = 10' HOR
 1" = 10' VERT

TRESCOTT DRIVE

ENGINEER OF RECORD
 LANE P. LUCAS
 F.I.P.E. No. 53836
EUTAW, INC.
 2419 FLEISCHMANN ROAD
 TALLAHASSEE, FLORIDA 32308
 (850) 383-9400
 FBPE REGISTRY #9961
 Signature _____ Date _____

ORIGINAL	REVISIONS
	1
	2
	3
	4
	5

SHEET
CROSS SECTIONS

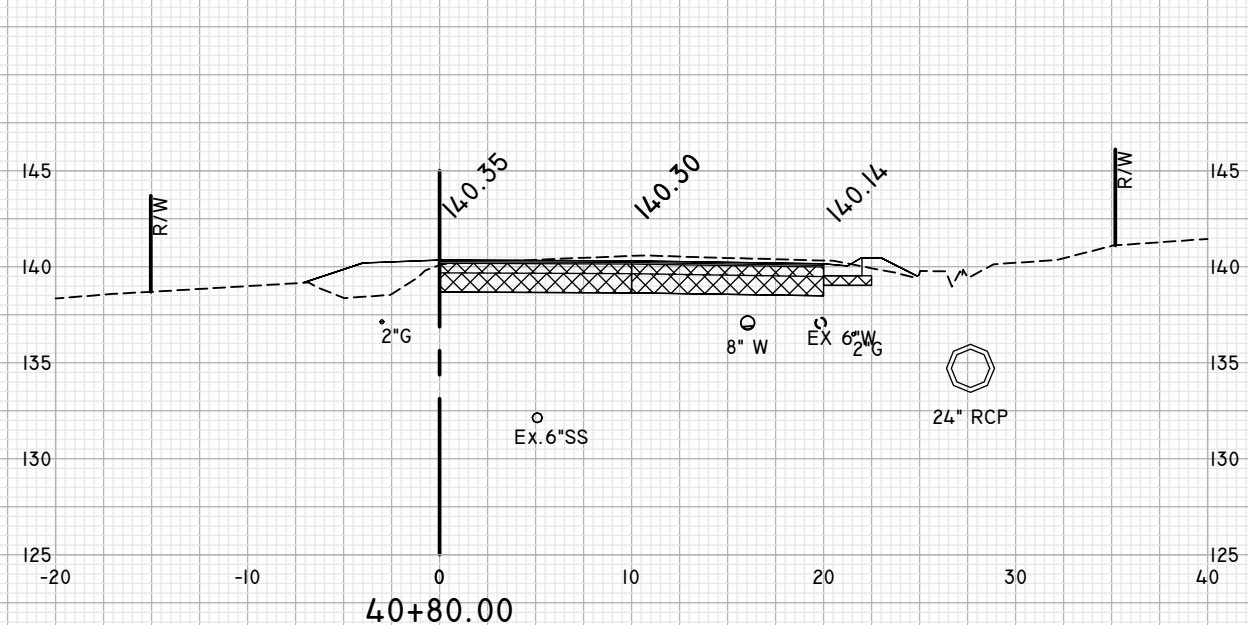
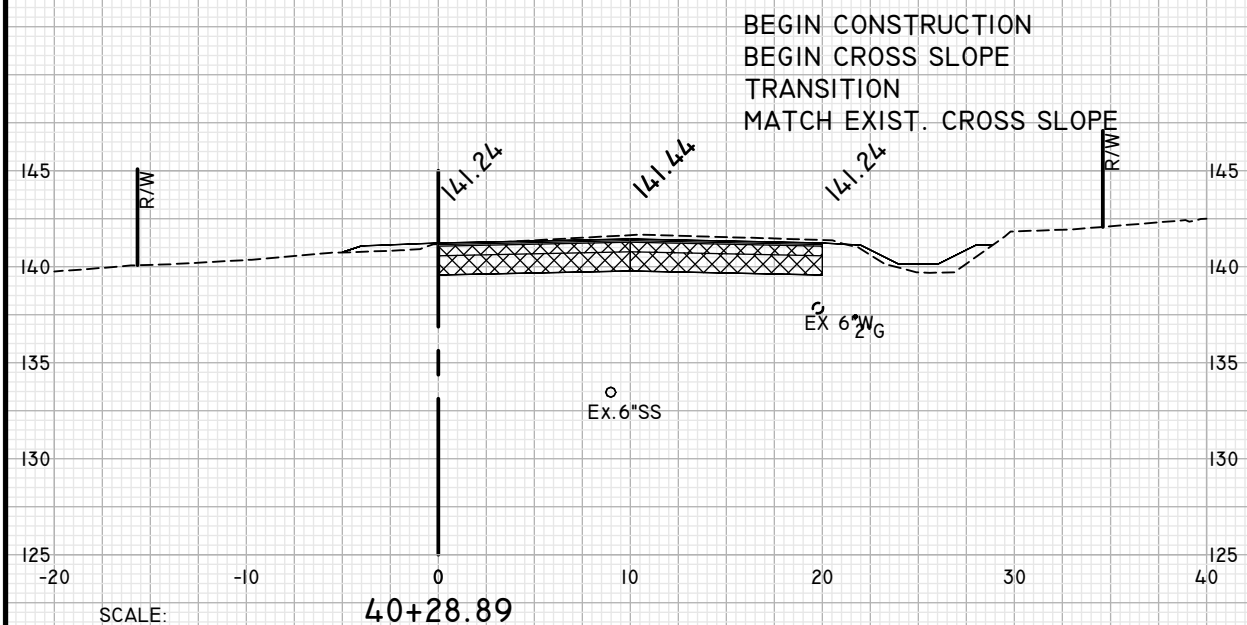
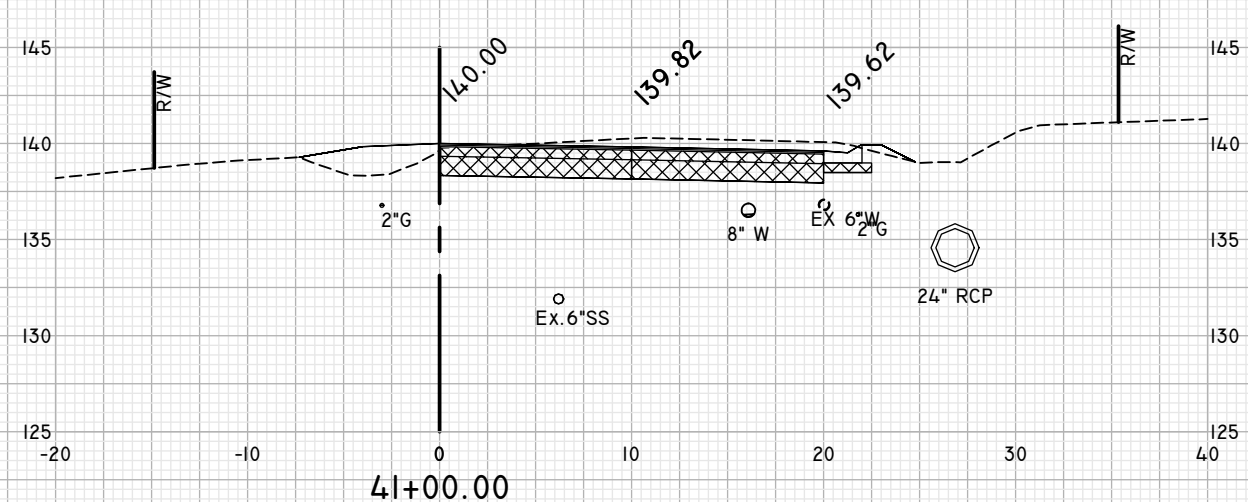
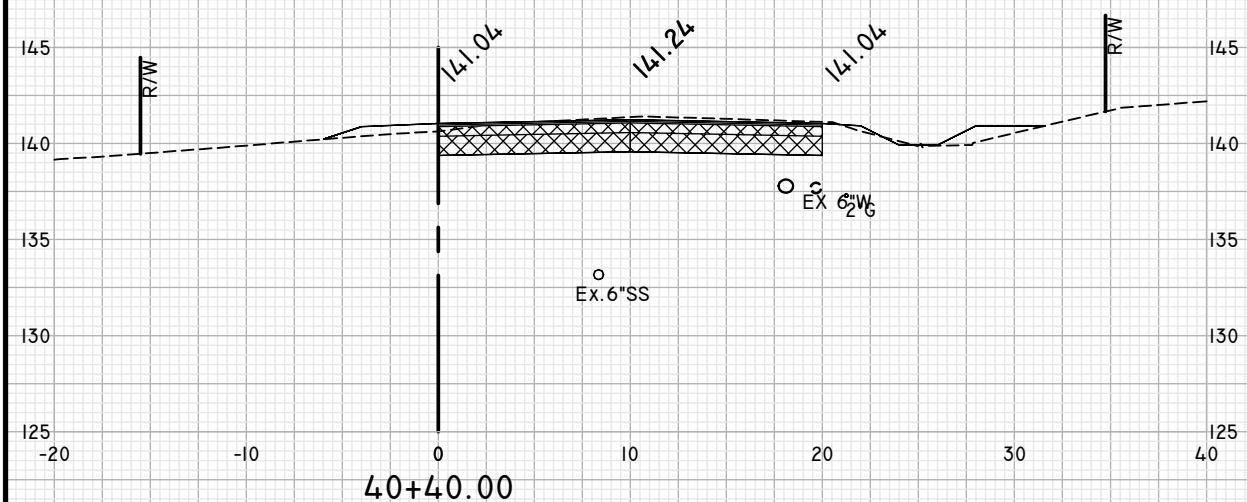
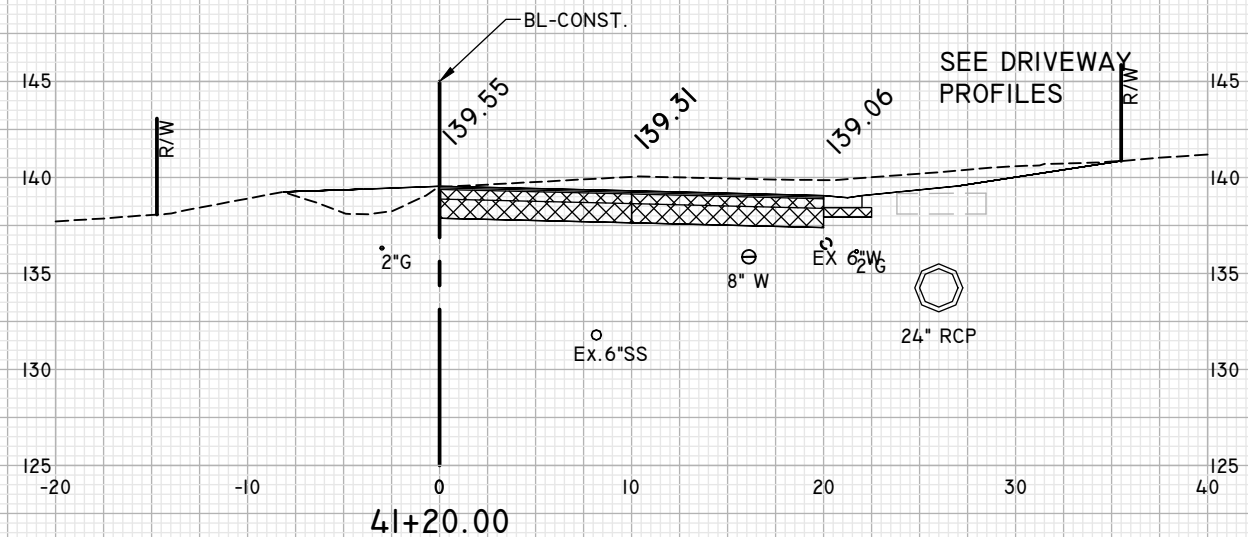
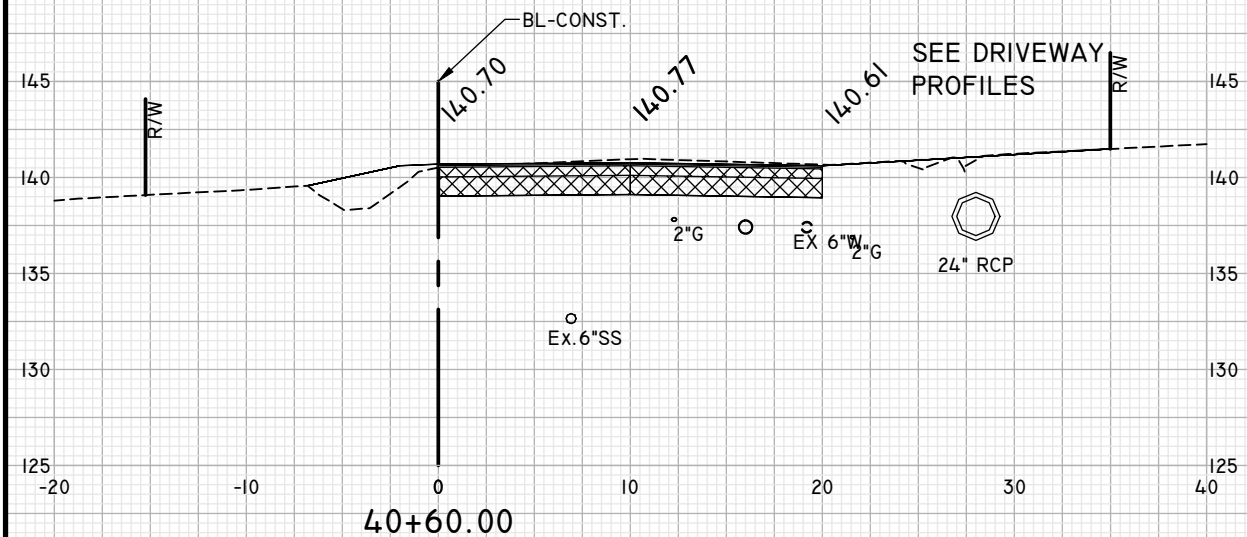
PROJECT
**LEE AVENUE
 DRAINAGE
 IMPROVEMENT
 PROJECT**

EUTAW, INC.
 ENGINEERING-UTILITIES TRANSPORTATION AND WATER
 2419 FLEISCHMANN ROAD, STE. 1
 TALLAHASSEE, FL 32308
 PHONE : (850) 383-9400
 WWW.EUTAWINC.COM
 FBPE REGISTRY #9961

JOB No. _____
 DRAWN LPL
 DESIGNED LPL
 CHECKED MWH
 QC LPL

SHEET
31

WEST RANDOLPH CIRCLE



SCALE:
1" = 10' HOR
1" = 10' VERT

ENGINEER OF RECORD
LANE P. LUCAS
F.L.P.E. No. 53936
Eutaw, Inc.
2419 FLEISCHMANN ROAD
TALLAHASSEE, FLORIDA 32308
(850) 383-9400
FBPE REGISTRY #9961
Date

ORIGINAL	REVISIONS
	1
	2
	3
	4
	5

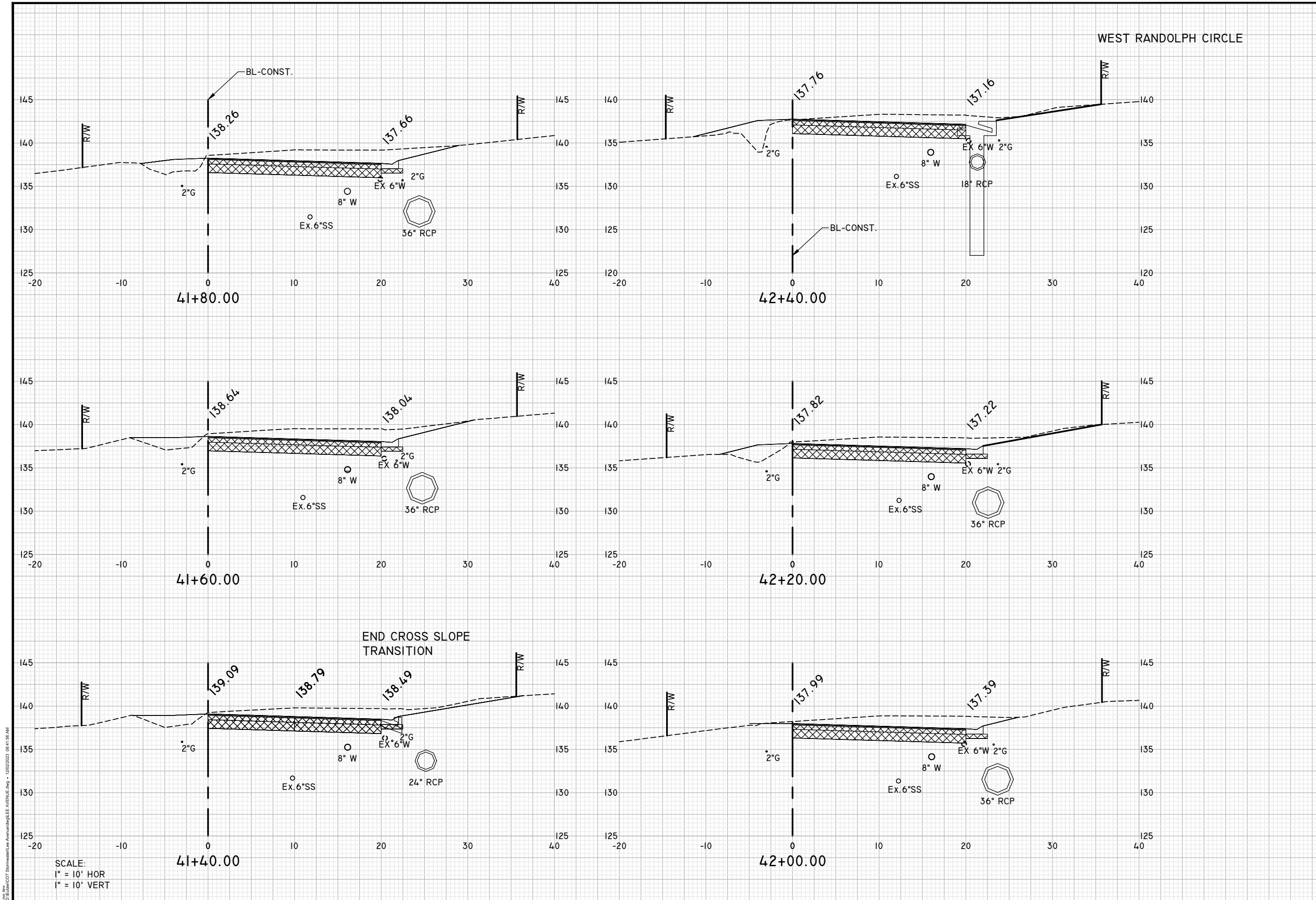
SHEET
CROSS SECTIONS
PROJECT
LEE AVENUE DRAINAGE IMPROVEMENT PROJECT

Eutaw, Inc.
ENGINEERING-UTILITIES TRANSPORTATION AND WATER
2419 FLEISCHMANN ROAD, STE. 1
TALLAHASSEE, FL 32308
PHONE : (850) 383-9400
WWW.EUTAWINC.COM
FBPE REGISTRY #9961

JOB No.	LPL
DRAWN	LPL
DESIGNED	LPL
CHECKED	MWH
QC	LPL

SHEET
32

D:\Eutaw\2023\Stormwater\Lee Avenue\Lee Avenue.dwg - 12/02/2023 08:41:48 AM



SCALE:
 1" = 10' HOR
 1" = 10' VERT

U:\Projects\2023\Lee Avenue\Drawings\Lee Avenue.dwg - 12/02/2023 08:41:56 AM

ENGINEER OF RECORD
 LANE P. LUCAS
 F.P.E. No. 53836
EUTAW, INC.
 2419 FLEISCHMANN ROAD
 TALLAHASSEE, FLORIDA 32308
 (850) 383-9400
 FBPE REGISTRY #9961
 Signature _____ Date _____

ORIGINAL	REVISIONS
	1
	2
	3
	4
	5

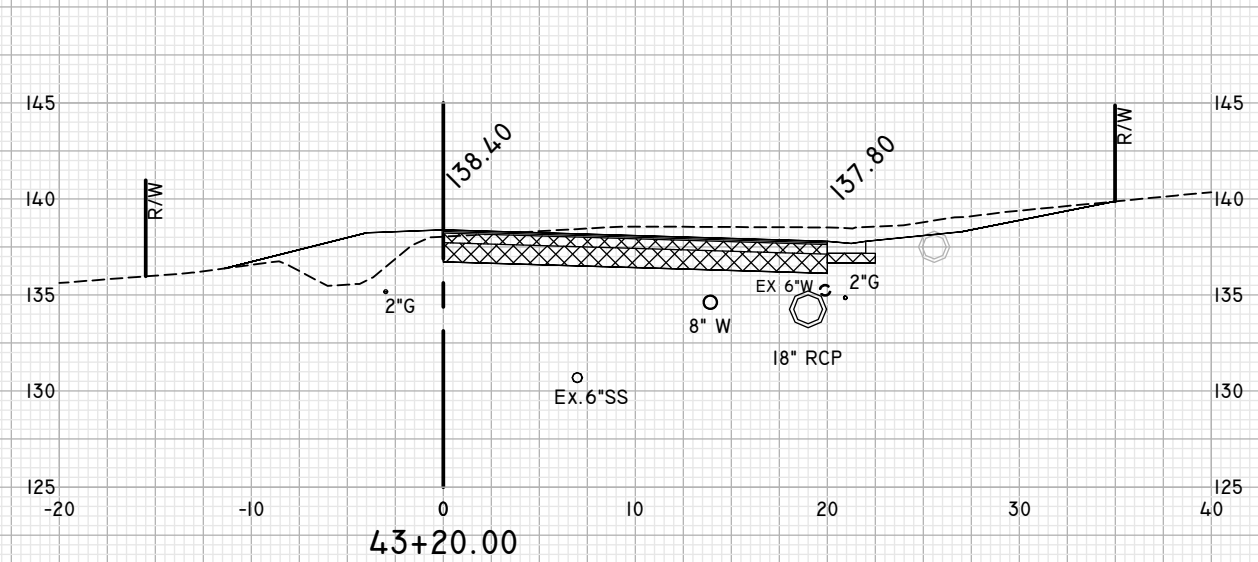
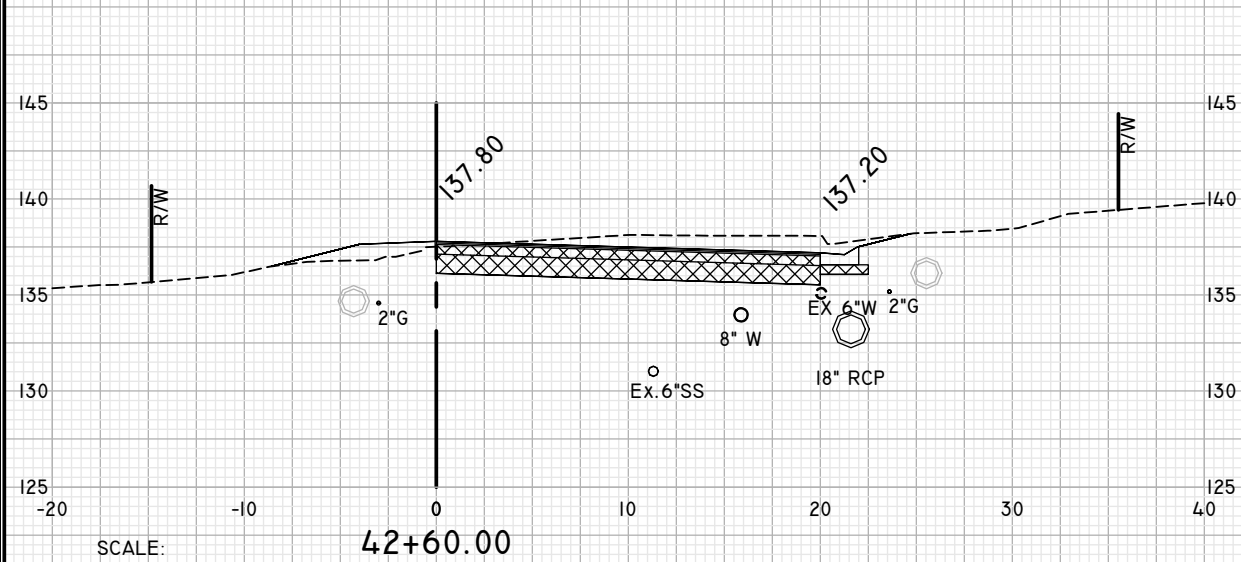
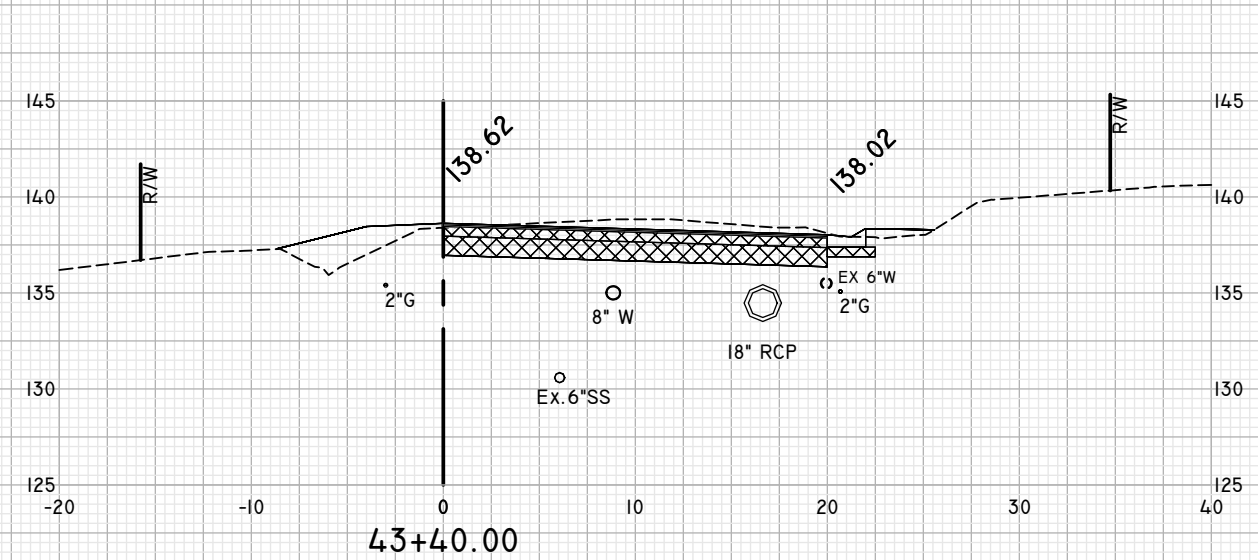
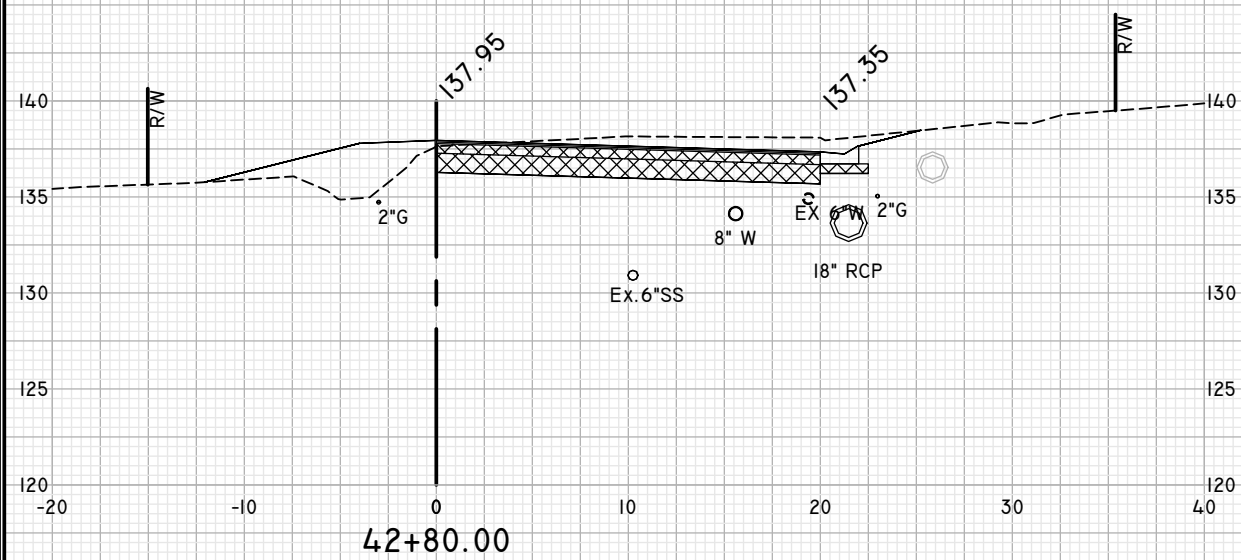
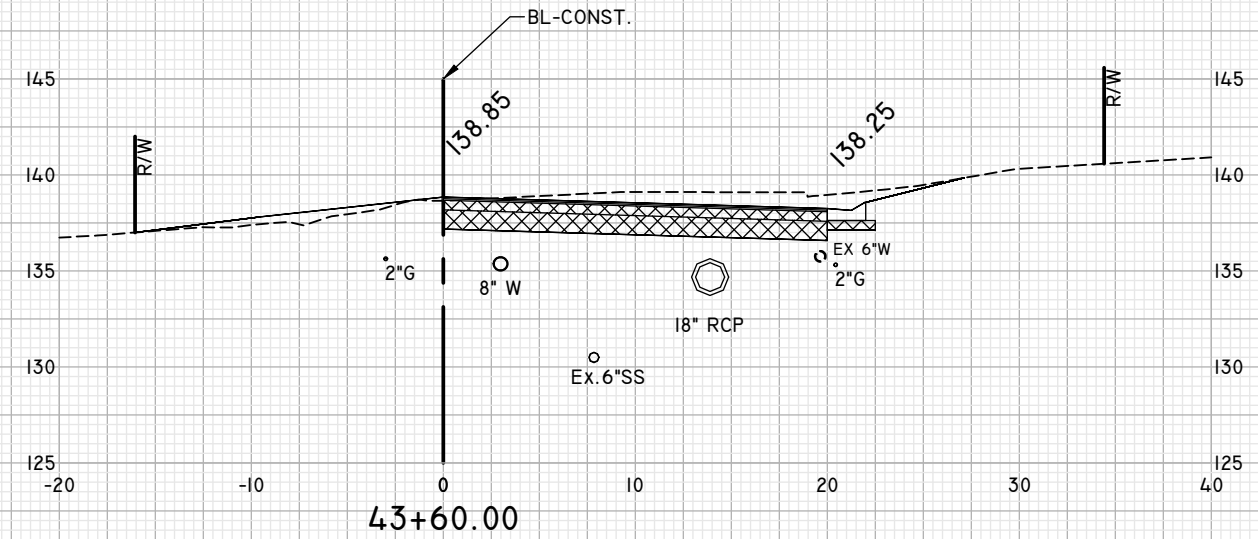
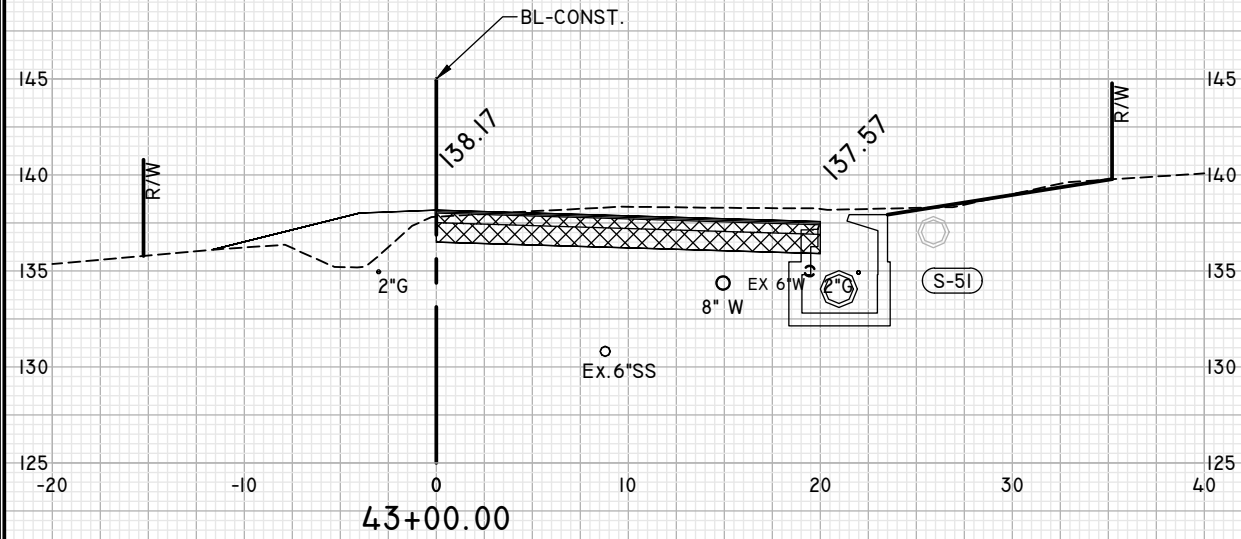
CROSS SECTIONS
 SHEET
LEE AVENUE DRAINAGE IMPROVEMENT PROJECT
 PROJECT

EUTAW, INC.
 ENGINEERING-UTILITIES TRANSPORTATION AND WATER
 2419 FLEISCHMANN ROAD, STE. 1
 TALLAHASSEE, FL 32308
 PHONE : (850) 383-9400
 WWW.EUTAWINC.COM
 FBPE REGISTRY #9961

JOB No.	LPL
DRAWN	LPL
DESIGNED	LPL
CHECKED	MWH
QC	LPL

SHEET **33**

WEST RANDOLPH CIRCLE



SCALE:
1" = 10' HOR
1" = 10' VERT

ENGINEER OF RECORD
LANE P. LUCAS
FL P.E. No. 53836
Eutaw, Inc.
2419 FLEISCHMANN ROAD
TALLAHASSEE, FLORIDA 32308
(850) 383-9400
FBPE REGISTRY #9961
Date

ORIGINAL Dec 02, 2023

REVISIONS	1	2	3	4	5

CROSS SECTIONS

PROJECT
LEE AVENUE
DRAINAGE
IMPROVEMENT
PROJECT

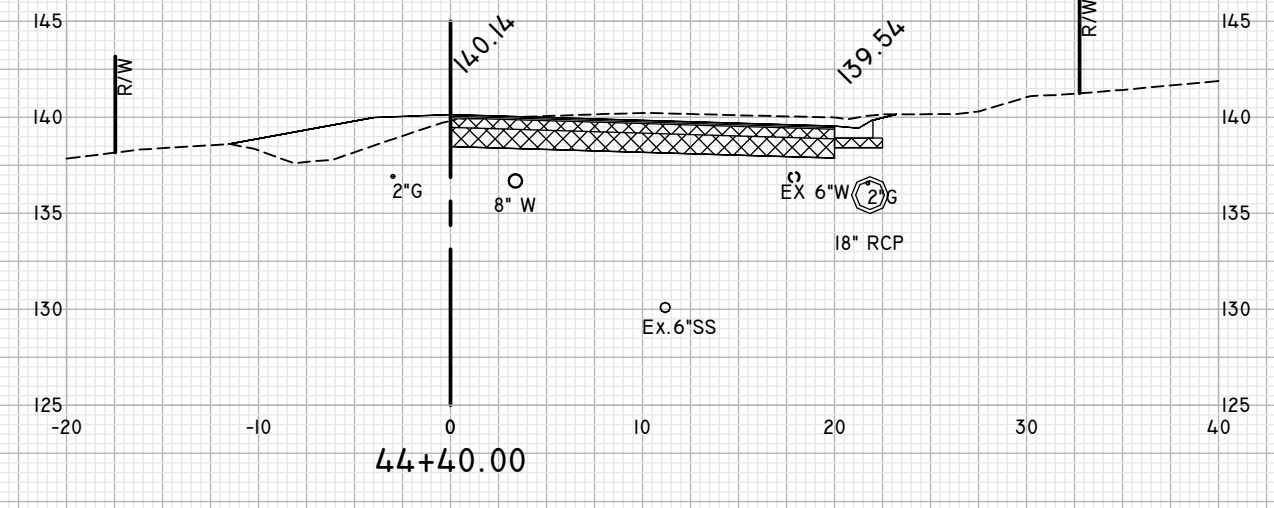
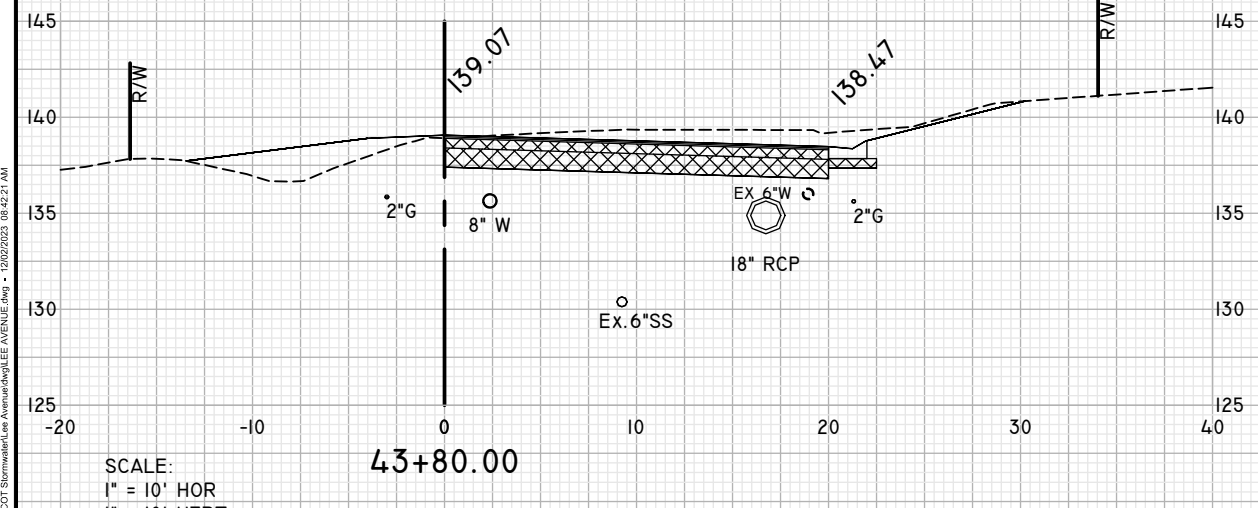
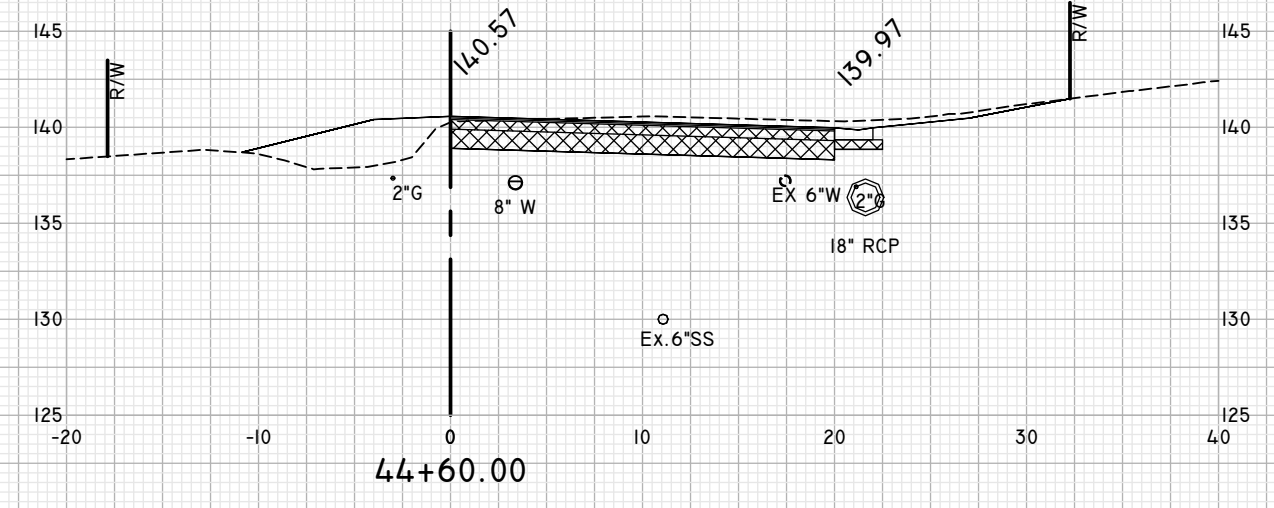
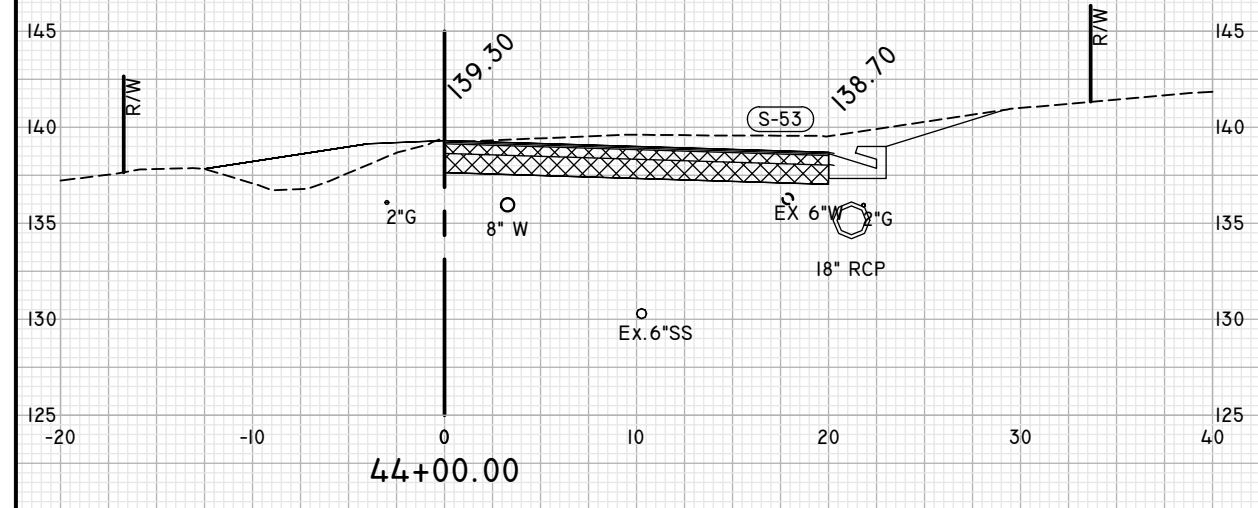
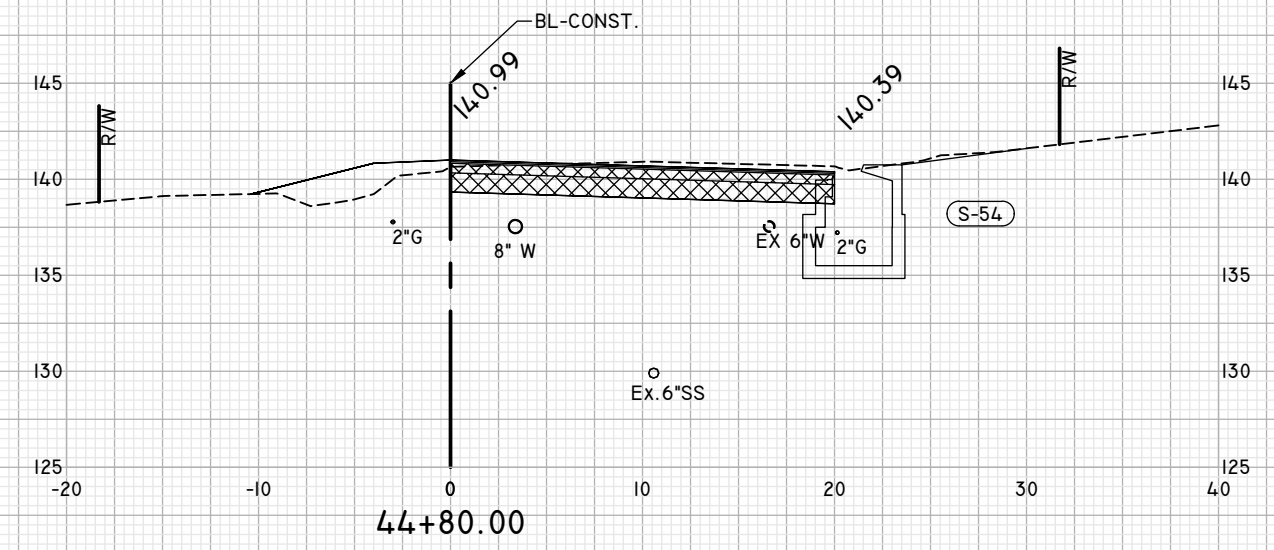
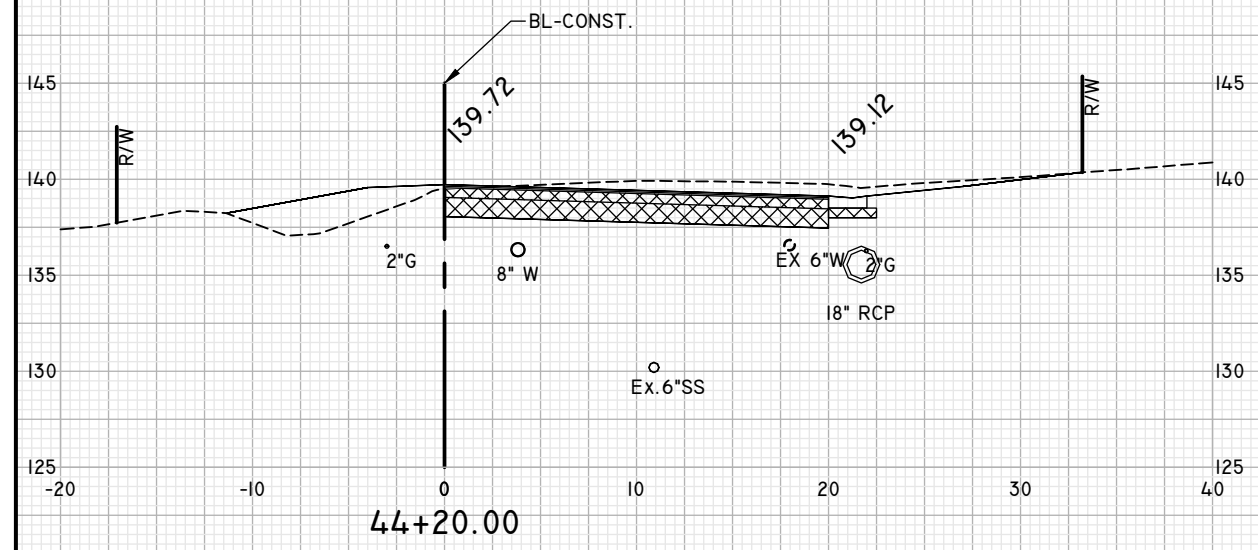
EUTAW, INC
ENGINEERING-UTILITIES TRANSPORTATION AND WATER
2419 FLEISCHMANN ROAD, STE. 1
TALLAHASSEE, FL 32308
PHONE : (850) 383-9400
WWW.EUTAWINC.COM
FBPE REGISTRY #9961

JOB No. _____
DRAWN LPL
DESIGNED LPL
CHECKED MWH
QC LPL

SHEET
34

D:\Projects\2023\Lee Avenue\Lee Avenue.dwg - 12/02/2023 08:42:08 AM

WEST RANDOLPH CIRCLE



SCALE:
1" = 10' HOR
1" = 10' VERT

ENGINEER OF RECORD
LANE P. LUCAS
FL P.E. No. 53836
EUTAW, INC.
2419 FLEISCHMANN ROAD
TALLAHASSEE, FLORIDA 32308
(850) 383-9400
FBPE REGISTRY #9961
Date

ORIGINAL Dec 02, 2023

NO.	DATE	DESCRIPTION
1		
2		
3		
4		
5		

CROSS SECTIONS

LEE AVENUE
DRAINAGE
IMPROVEMENT
PROJECT

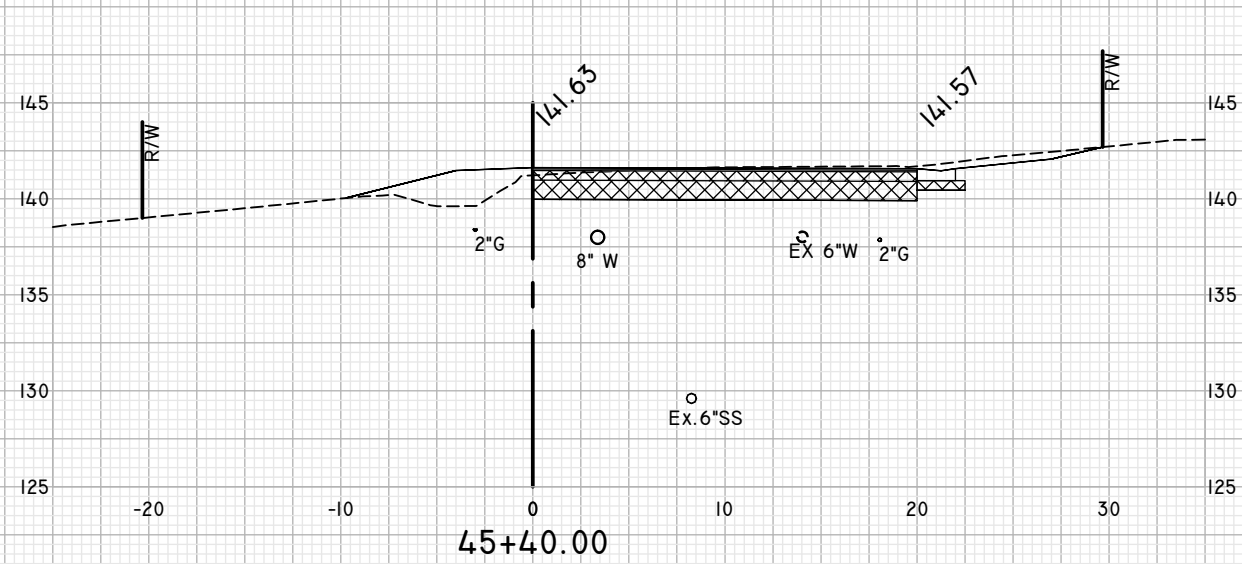
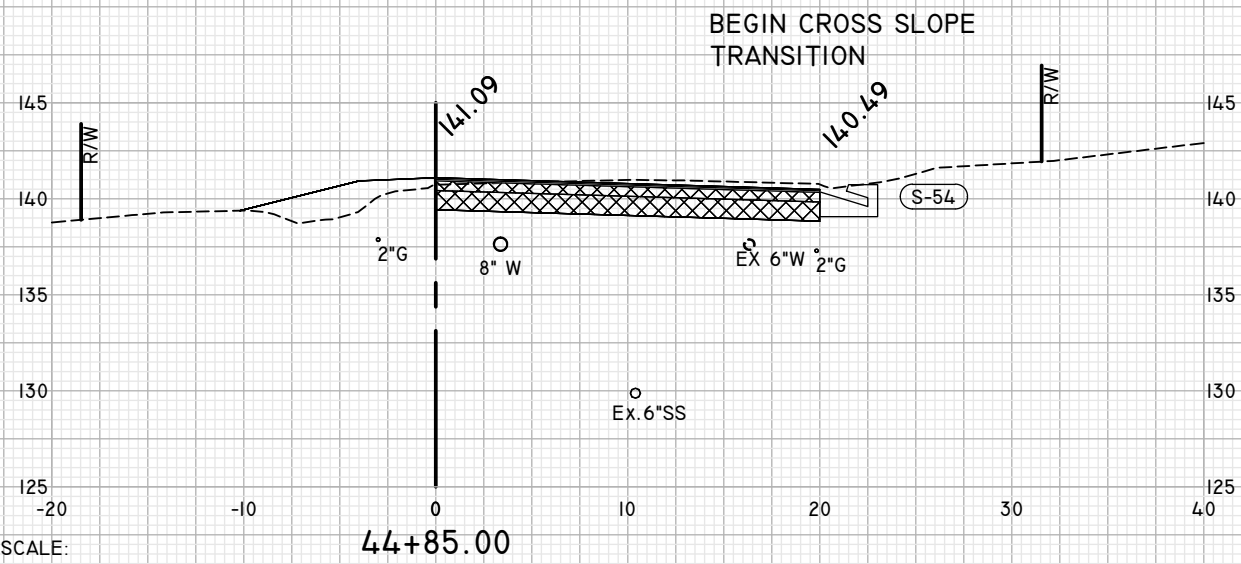
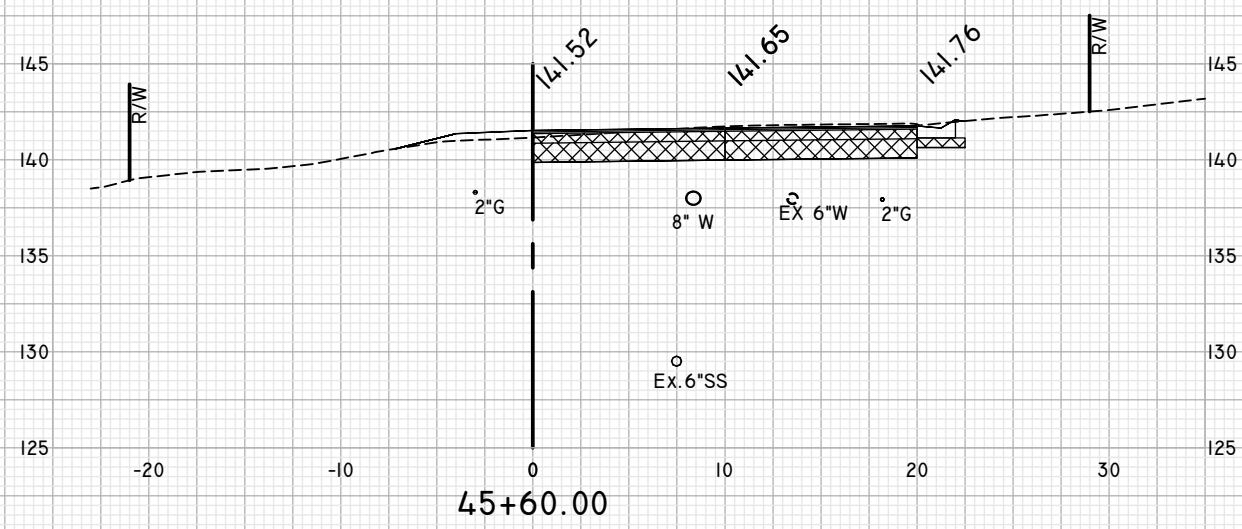
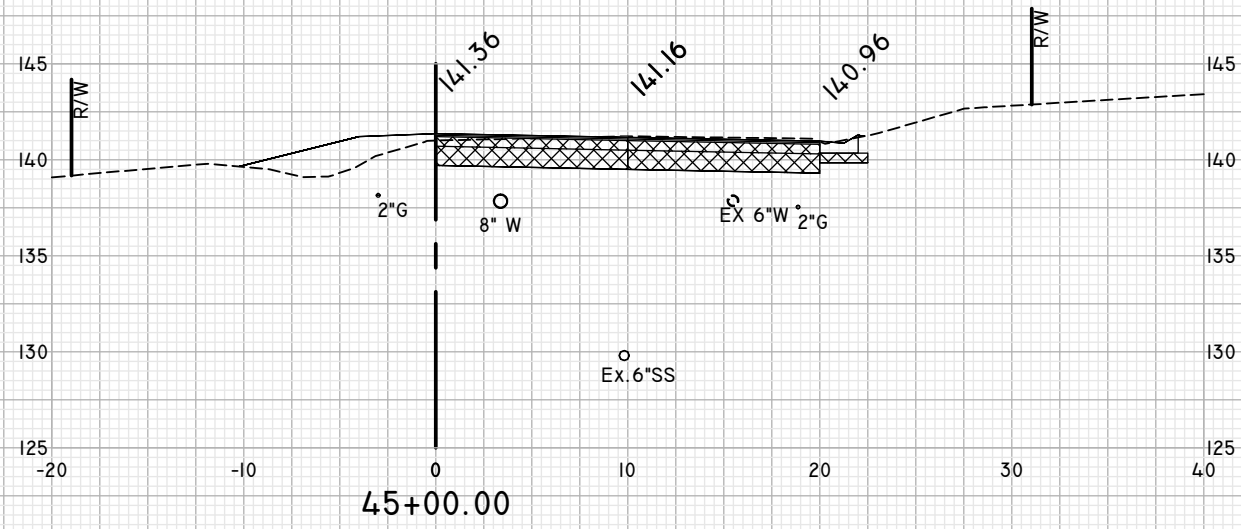
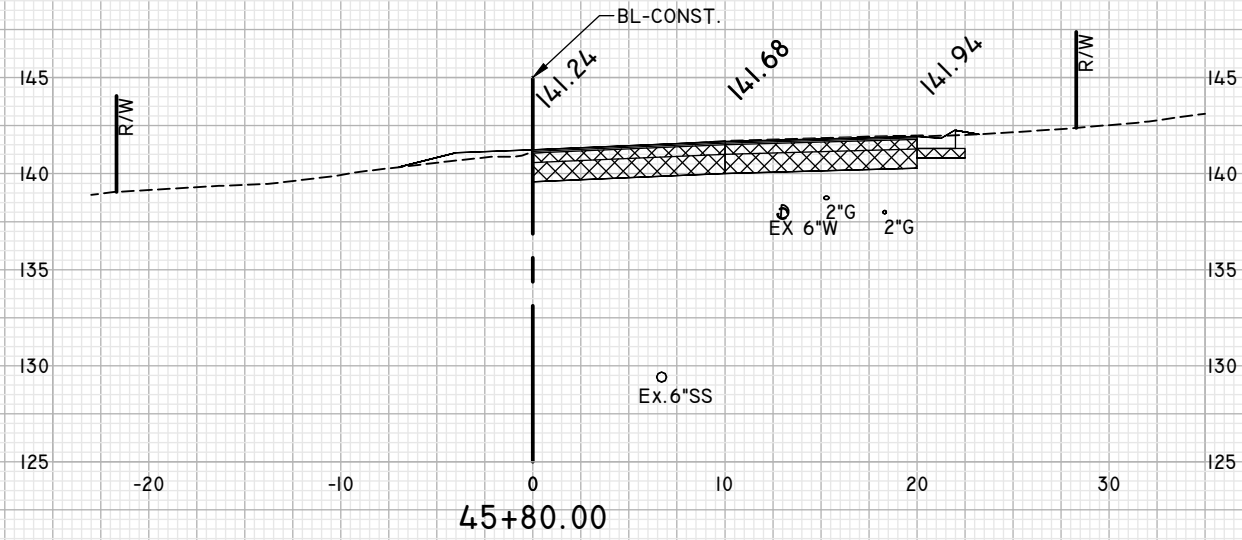
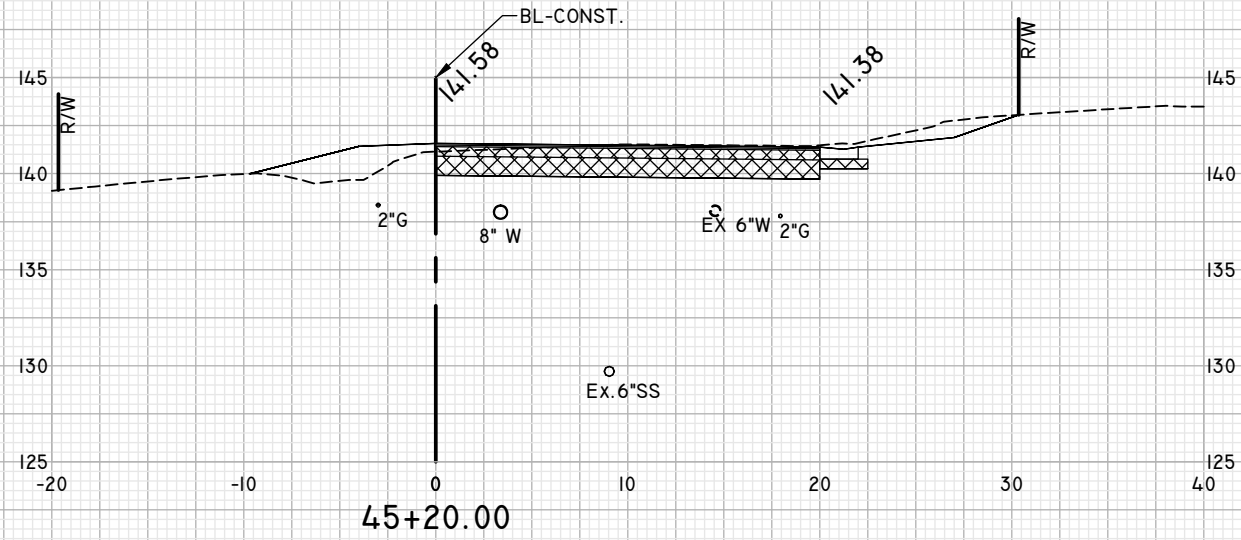
EUTAW, INC.
ENGINEERING-UTILITIES TRANSPORTATION AND WATER
2419 FLEISCHMANN ROAD, STE. 1
TALLAHASSEE, FL 32308
PHONE : (850) 383-9400
WWW.EUTAWINC.COM
FBPE REGISTRY #9961

JOB No.	
DRAWN	LPL
DESIGNED	LPL
CHECKED	MWH
QC	LPL

SHEET 35

U:\1\100\1001\Stormwater\Lee Avenue\Lee Avenue.dwg - 12/02/2023 08:42:31 AM

WEST RANDOLPH CIRCLE



SCALE:
1" = 10' HOR
1" = 10' VERT

ENGINEER OF RECORD
LANE P. LUCAS
F.L.P.E. No. 53836
EUTAW, INC.
2419-Fleischmann Road
Tallahassee, Florida 32308
(850) 383-9400
FBPE REGISTRY #9961
Date

ORIGINAL	REVISIONS
	1
	2
	3
	4
	5

Dec 02, 2023
CROSS SECTIONS

LEE AVENUE DRAINAGE IMPROVEMENT PROJECT

EUTAW, INC.
ENGINEERING-UTILITIES TRANSPORTATION AND WATER
2419 FLEISCHMANN ROAD, STE. 1
TALLAHASSEE, FL 32308
PHONE : (850) 383-9400
WWW.EUTAWINC.COM
FBPE REGISTRY #9961

JOB No.	LPL
DRAWN	LPL
DESIGNED	MWH
CHECKED	LPL
QC	

SHEET **36**

D:\Projects\2023\Lee Avenue\Lee Avenue.dwg - 12/02/2023 08:42:31 AM

ENGINEER OF RECORD
LANE P. LUCAS
F.L.P.E. No. 53836
EUTAW, INC.
2419-Fleischmann Road
Tallahassee, Florida 32308
(850) 383-9400
FBPE REGISTRY #9961
Signature _____ Date _____

ORIGINAL Dec 02, 2023

REVISIONS:

- 1 _____
- 2 _____
- 3 _____
- 4 _____
- 5 _____

CROSS SECTIONS

SHEET

**LEE AVENUE
DRAINAGE
IMPROVEMENT
PROJECT**

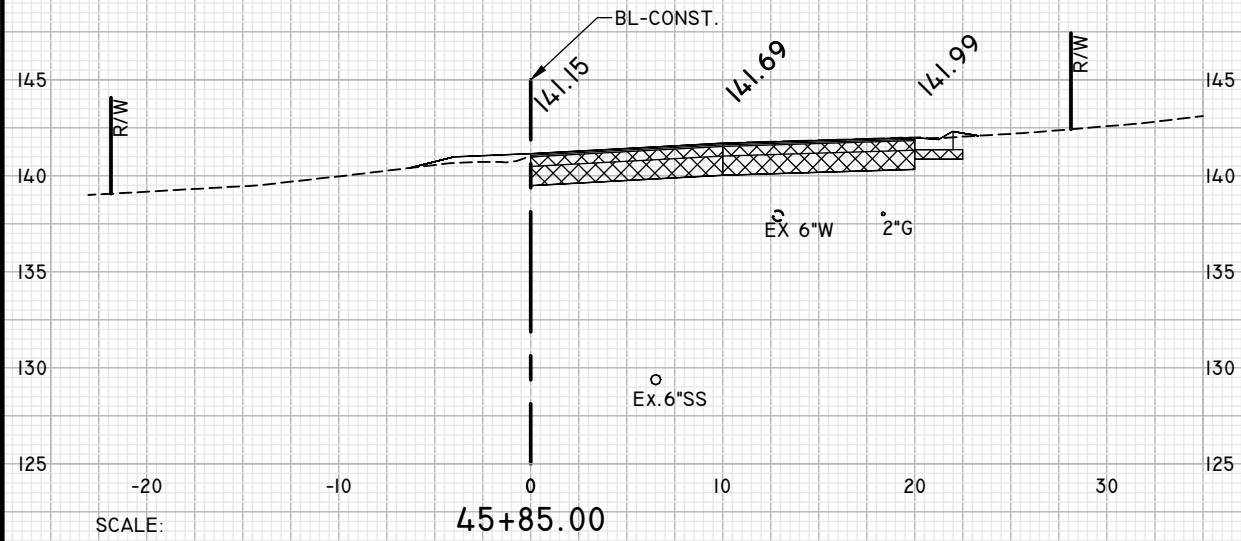
PROJECT

EUTAW, INC.
ENGINEERING-UTILITIES, TRANSPORTATION, AND WATER
2419 FLEISCHMANN ROAD, STE. 1 TALLAHASSEE, FL 32308
PHONE : (850) 383-9400
WWW.EUTAWINC.COM
FBPE REGISTRY #9961

JOB No. _____
DRAWN LPL
DESIGNED LPL
CHECKED MWH
QC LPL

SHEET 37

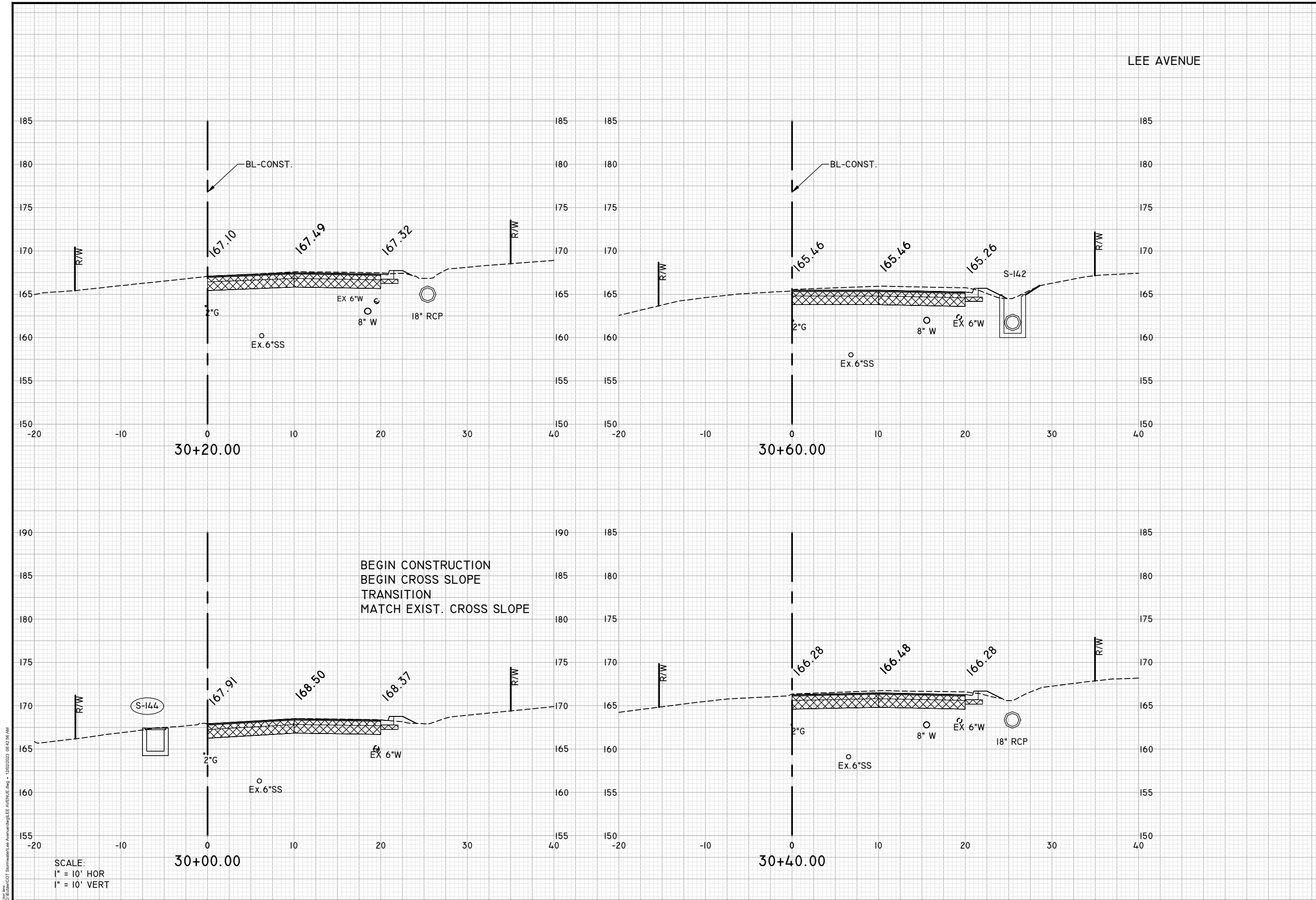
END CONSTRUCTION
END CROSS SLOPE
TRANSITION
MATCH EXIST. CROSS SLOPE



SCALE:
1" = 10' HOR
1" = 10' VERT

45+85.00

U:\17\17001 Stormwater\Lee Avenue\Lee Avenue.dwg - 12/02/2023 08:42:43 AM



SCALE:
 1" = 10' HOR
 1" = 10' VERT

LEE AVENUE

ENGINEER OF RECORD
 LANE P. LUCAS
 F.I.P.E. No. 53836
EUTAW, INC.
 2419 FLEISCHMANN ROAD
 TALLAHASSEE, FLORIDA 32308
 (850) 383-9400
 FBPE REGISTRY #9961
 Signature _____ Date _____

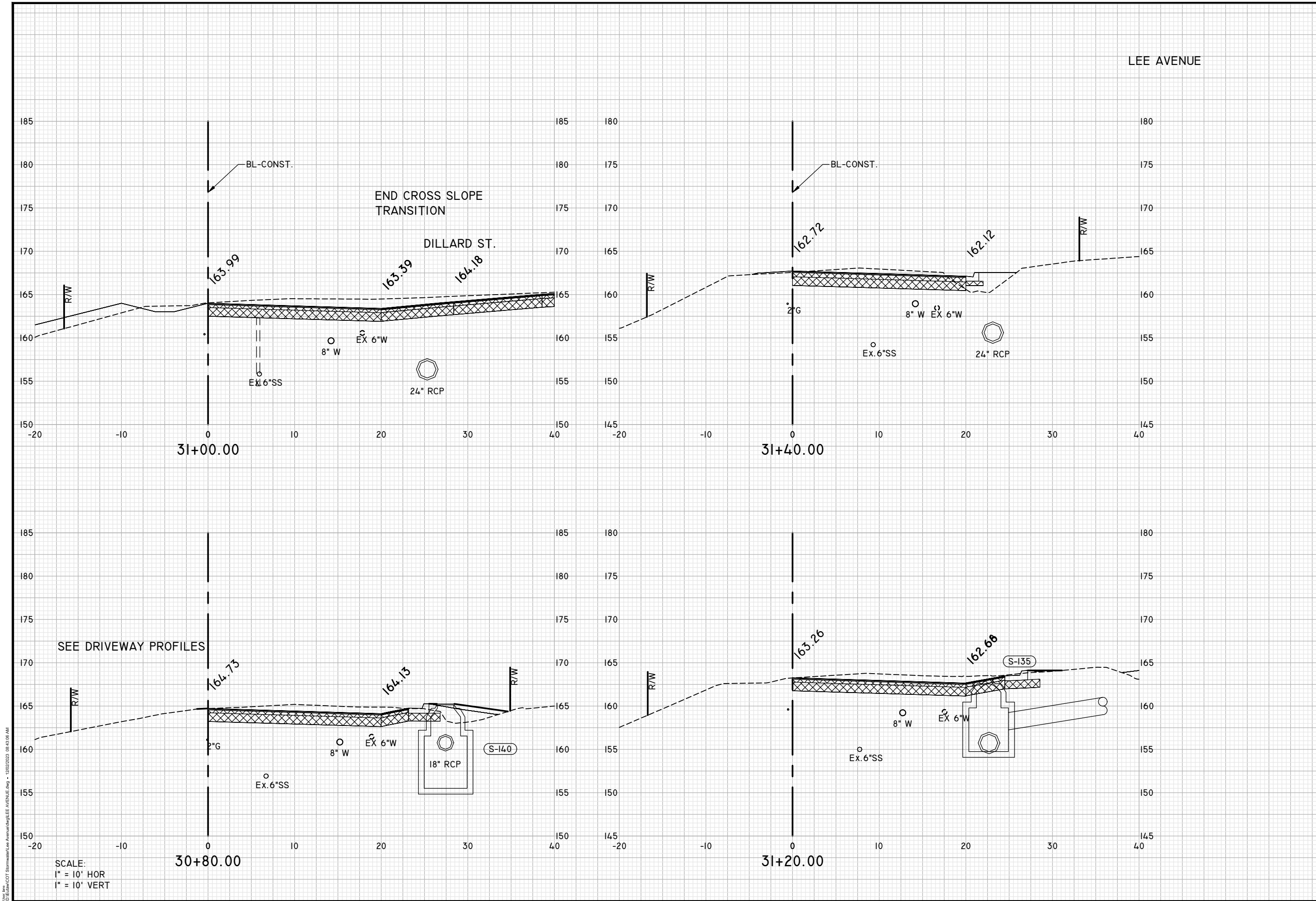
ORIGINAL	REVISIONS
1	Dec 02, 2023
2	
3	
4	
5	

CROSS SECTIONS

LEE AVENUE DRAINAGE IMPROVEMENT PROJECT

EUTAW, INC.
 ENGINEERING-UTILITIES TRANSPORTATION AND WATER
 2419 FLEISCHMANN ROAD, STE. 1
 TALLAHASSEE, FL 32308
 PHONE : (850) 383-9400
 WWW.EUTAWINC.COM
 FBPE REGISTRY #9961

JOB No. _____
 DRAWN LPL
 DESIGNED LPL
 CHECKED MWH
 QC LPL



SCALE:
 1" = 10' HOR
 1" = 10' VERT

ENGINEER OF RECORD
 LANE P. LUCAS
 F.I.P.E. No. 53836
EUTAW, INC.
 2419 FLEISCHMANN ROAD
 TALLAHASSEE, FLORIDA 32308
 (850) 383-9400
 FBPE REGISTRY #9961
 Signature _____ Date _____

REVISIONS	DATE
1	
2	
3	
4	
5	

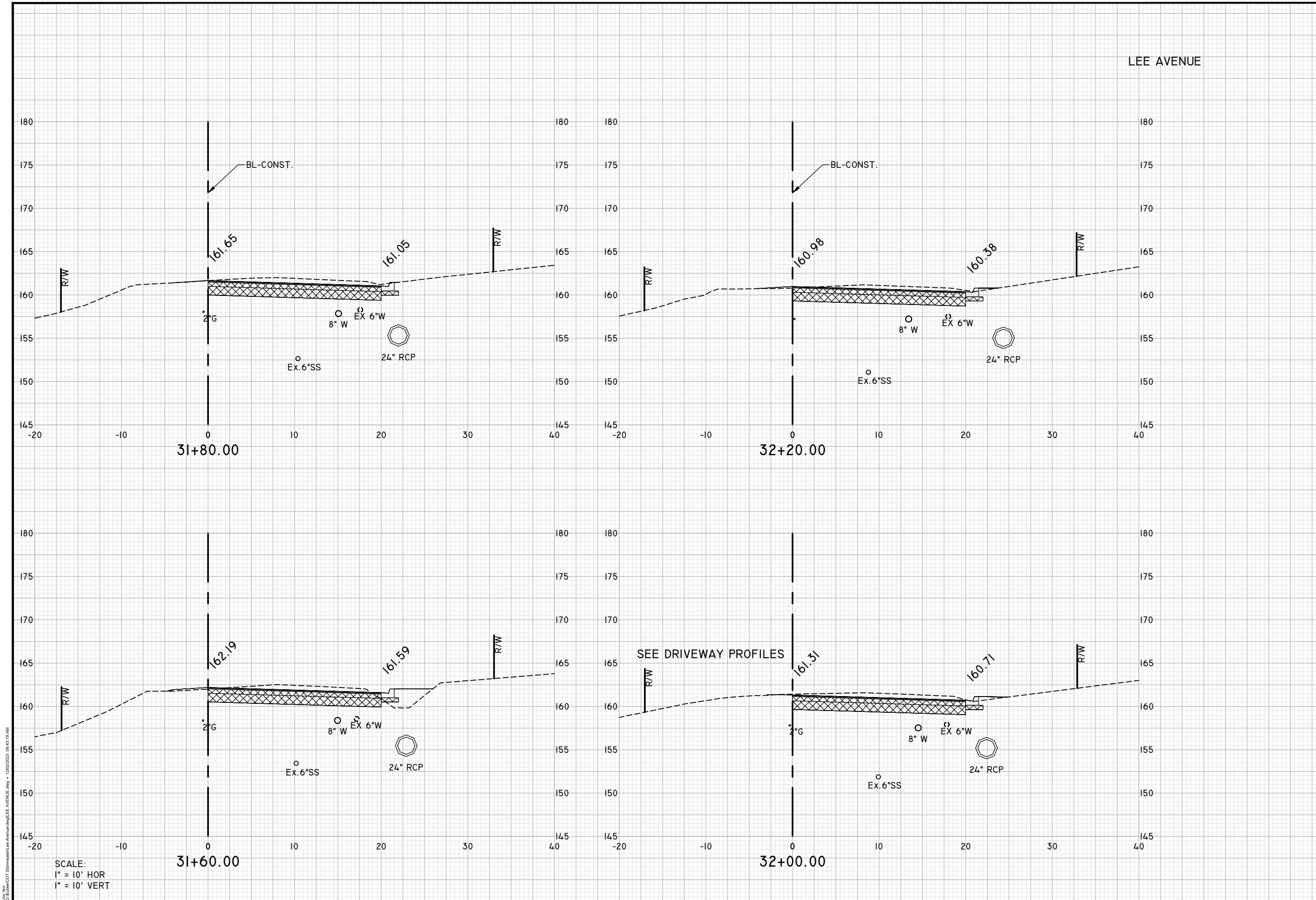
SHEET Dec 02, 2023
CROSS SECTIONS

PROJECT
**LEE AVENUE
 DRAINAGE
 IMPROVEMENT
 PROJECT**

EUTAW, INC.
 ENGINEERING-UTILITIES TRANSPORTATION AND WATER
 2419 FLEISCHMANN ROAD, STE. 1
 TALLAHASSEE, FL 32308
 PHONE : (850) 383-9400
 WWW.EUTAWINC.COM
 FBPE REGISTRY #9961

JOB No. _____
 DRAWN LPL
 DESIGNED LPL
 CHECKED MWH
 QC LPL

SHEET
39



SCALE:
 1" = 10' HOR
 1" = 10' VERT

U:\1\1001\Stormwater\Lee Avenue\Lee Avenue.dwg - 12/02/2023 08:43:19 AM

ENGINEER OF RECORD
 LANE P. LUCAS
 F.I.P.E. No. 53836
EUTAW, INC.
 2419 FLEISCHMANN ROAD
 TALLAHASSEE, FLORIDA 32308
 (850) 383-9400
 FBPE REGISTRY #9961
 Signature _____ Date _____

ORIGINAL	REVISIONS
1	Dec 02, 2023
2	
3	
4	
5	

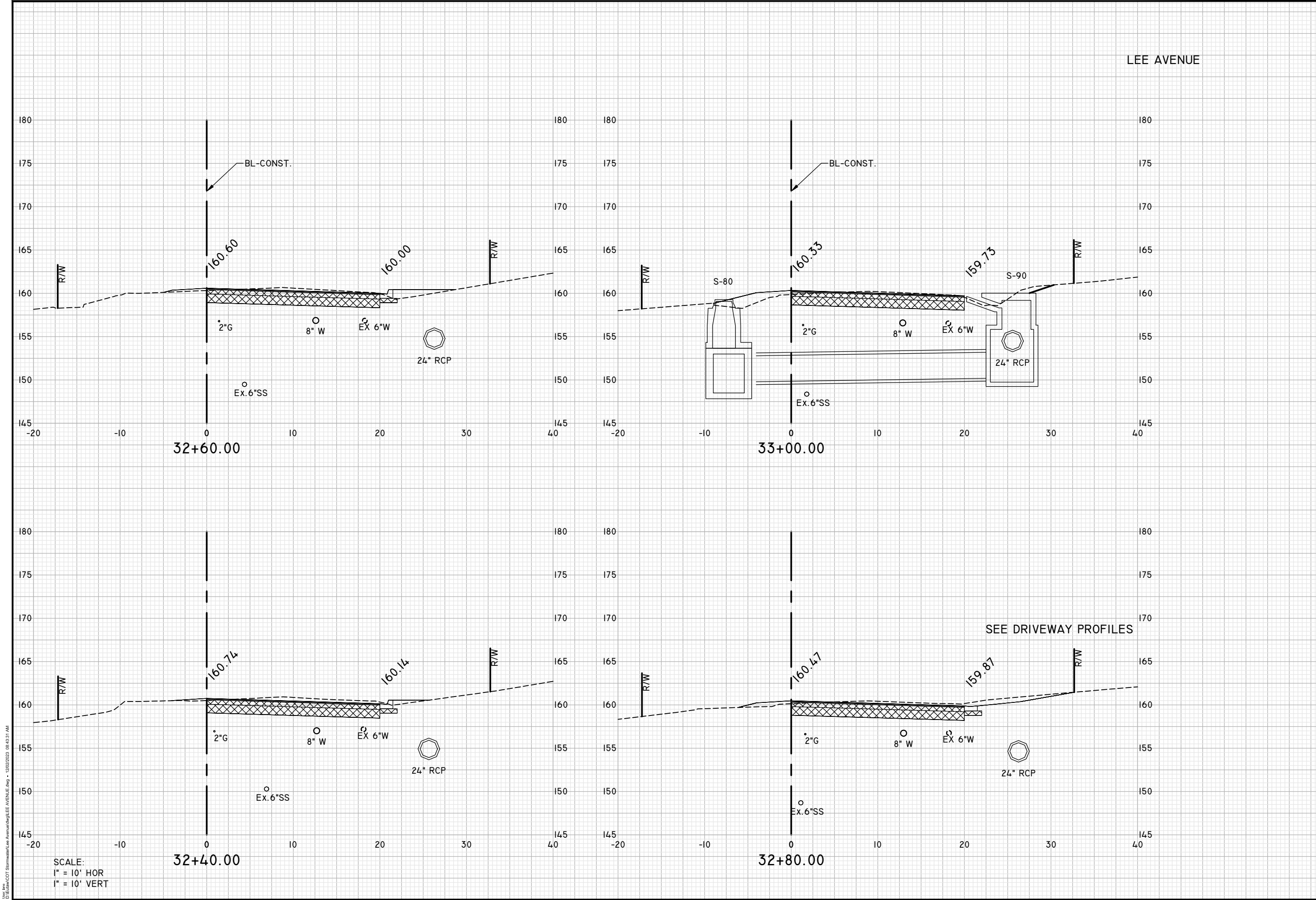
CROSS SECTIONS

LEE AVENUE DRAINAGE IMPROVEMENT PROJECT

EUTAW, INC.
 ENGINEERING-UTILITIES TRANSPORTATION AND WATER
 2419 FLEISCHMANN ROAD, STE. 1
 TALLAHASSEE, FL 32308
 PHONE : (850) 383-9400
 WWW.EUTAWINC.COM
 FBPE REGISTRY #9961

JOB No.	
DRAWN	LPL
DESIGNED	LPL
CHECKED	MWH
QC	LPL

SHEET 40



SCALE:
 1" = 10' HOR
 1" = 10' VERT

LEE AVENUE

ENGINEER OF RECORD
 LANE P. LUCAS
 F.I.P.E. No. 53836
EUTAW, INC.
 2419 FLEISCHMANN ROAD
 TALLAHASSEE, FLORIDA 32308
 (850) 383-9400
 FBPE REGISTRY #9961
 Signature _____ Date _____

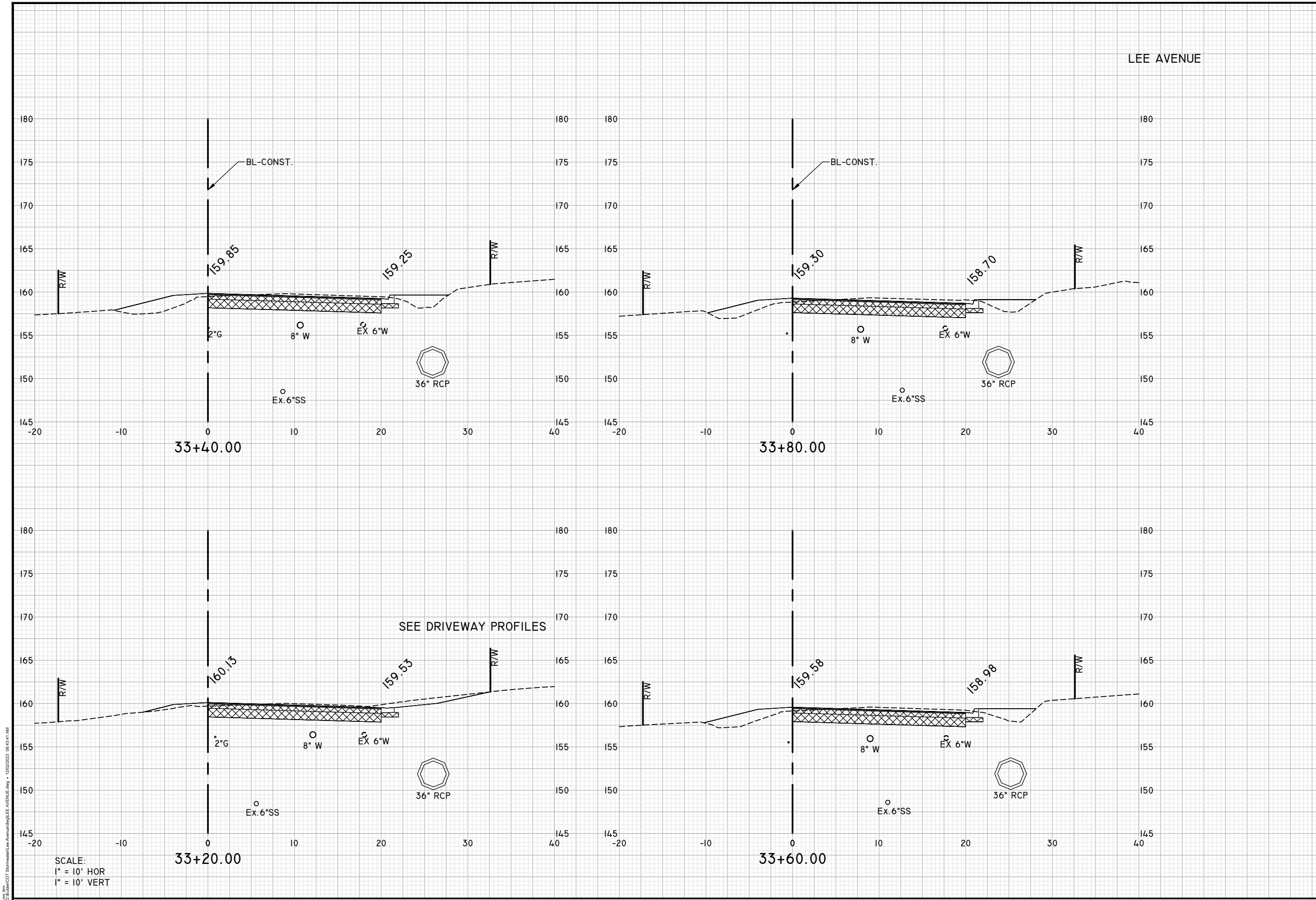
ORIGINAL	REVISIONS
Dec 02, 2023	1
	2
	3
	4
	5

CROSS SECTIONS

LEE AVENUE DRAINAGE IMPROVEMENT PROJECT

EUTAW, INC.
 ENGINEERING-UTILITIES TRANSPORTATION AND WATER
 2419 FLEISCHMANN ROAD, STE. 1
 TALLAHASSEE, FL 32308
 PHONE : (850) 383-9400
 WWW.EUTAWINC.COM
 FBPE REGISTRY #9961

JOB No.	
DRAWN	LPL
DESIGNED	LPL
CHECKED	MWH
QC	LPL



SCALE:
 1" = 10' HOR
 1" = 10' VERT

U:\1\Lee Ave\Lee Avenue\Lee Avenue.dwg - 12/02/2023 08:43:41 AM

ENGINEER OF RECORD
 LANE P. LUCAS
 F.I.P.E. No. 53836
EUTAW, INC.
 2419-Fleischmann Road
 Tallahassee, Florida 32308
 (850) 383-0400
 FBPE REGISTRY #9961
 Signature _____ Date _____

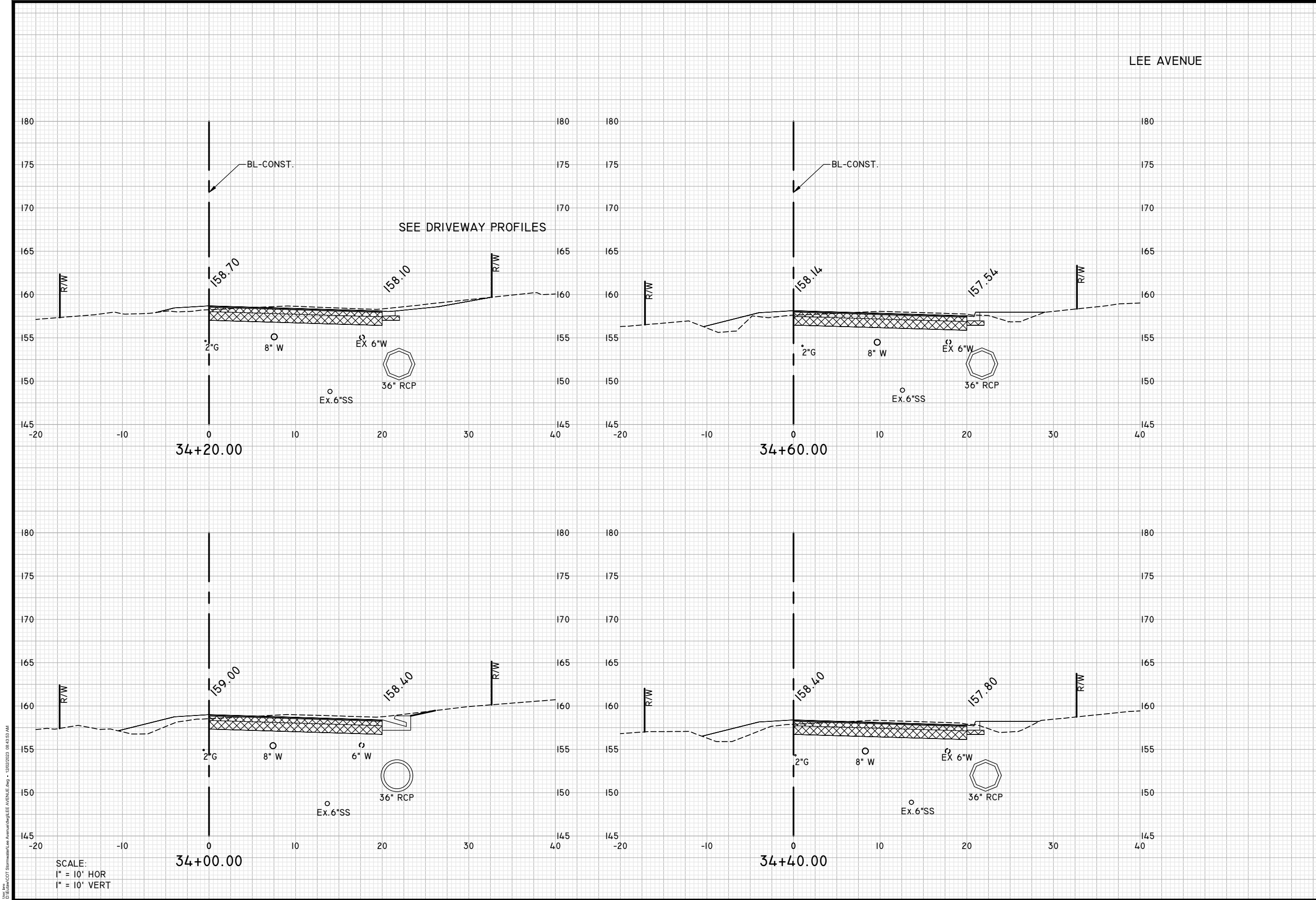
ORIGINAL	REVISIONS
1	Dec 02, 2023
2	
3	
4	
5	

CROSS SECTIONS

LEE AVENUE DRAINAGE IMPROVEMENT PROJECT

EUTAW, INC.
 ENGINEERING-UTILITIES TRANSPORTATION AND WATER
 2419 FLEISCHMANN ROAD, STE. 1
 TALLAHASSEE, FL 32308
 PHONE : (850) 383-0400
 WWW.EUTAWINC.COM
 FBPE REGISTRY #9961

JOB No.	LPL
DRAWN	LPL
DESIGNED	MWH
CHECKED	LPL
QC	



SCALE:
 1" = 10' HOR
 1" = 10' VERT

LEE AVENUE

ENGINEER OF RECORD
 LANE P. LUCAS
 F.I.P.E. No. 53836
EUTAW, INC.
 2419 FLEISCHMANN ROAD
 TALLAHASSEE, FLORIDA 32308
 (850) 383-9400
 FBPE REGISTRY #9961
 Signature _____ Date _____

ORIGINAL	REVISIONS
1	Dec 02, 2023
2	
3	
4	
5	

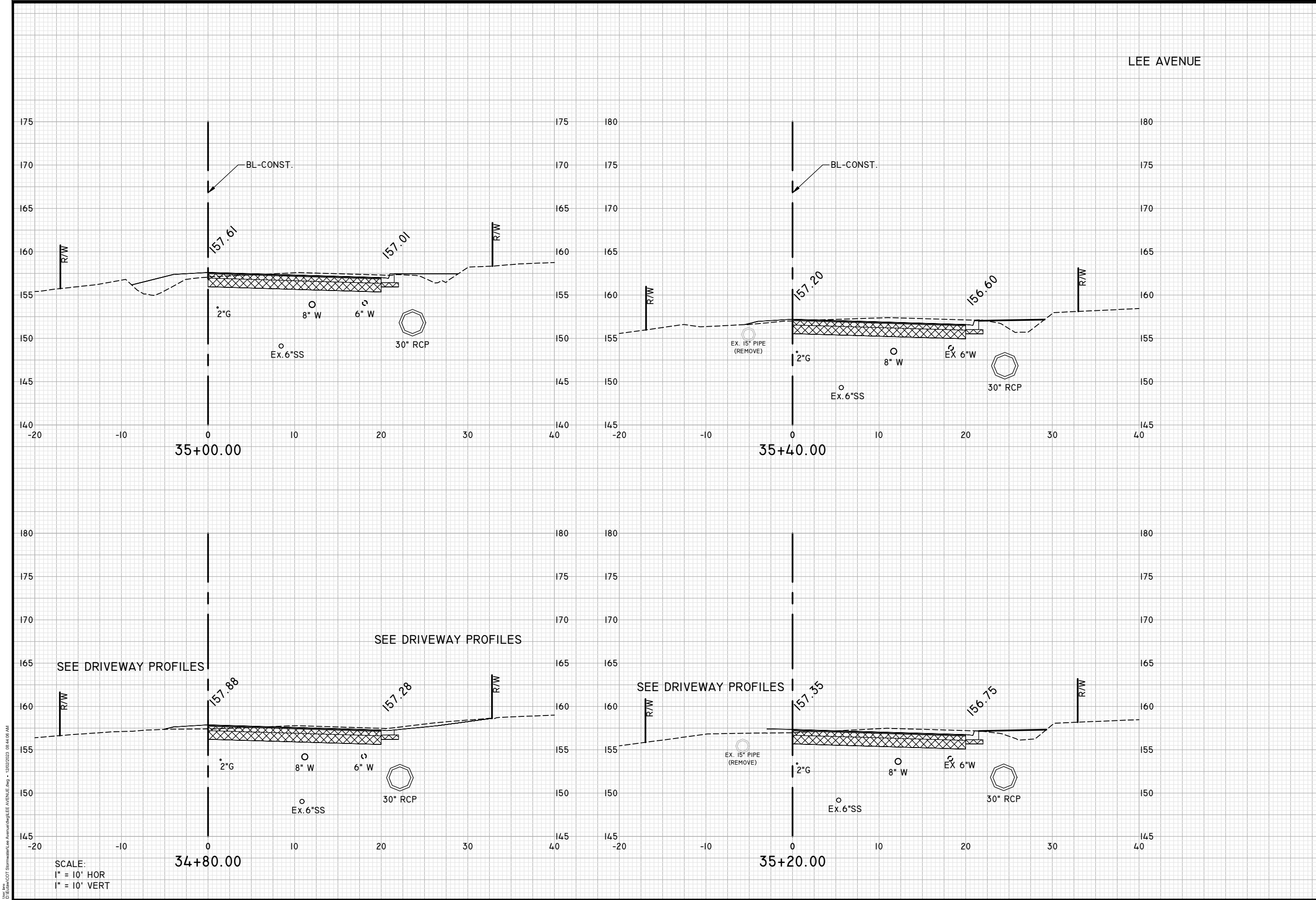
CROSS SECTIONS

**LEE AVENUE
 DRAINAGE
 IMPROVEMENT
 PROJECT**

EUTAW, INC.
 ENGINEERING-UTILITIES TRANSPORTATION AND WATER
 2419 FLEISCHMANN ROAD, STE. 1
 TALLAHASSEE, FL 32308
 PHONE : (850) 383-9400
 WWW.EUTAWINC.COM
 FBPE REGISTRY #9961

JOB No.	
DRAWN	LPL
DESIGNED	LPL
CHECKED	MWH
QC	LPL

SHEET
43



SCALE:
 1" = 10' HOR
 1" = 10' VERT

ENGINEER OF RECORD
 LANE P. LUCAS
 F.I.P.E. No. 53836
EUTAW, INC.
 2419 Fleischmann Road
 Tallahassee, Florida 32308
 (850) 383-9400
 FBPE REGISTRY #9961
 Signature _____ Date _____

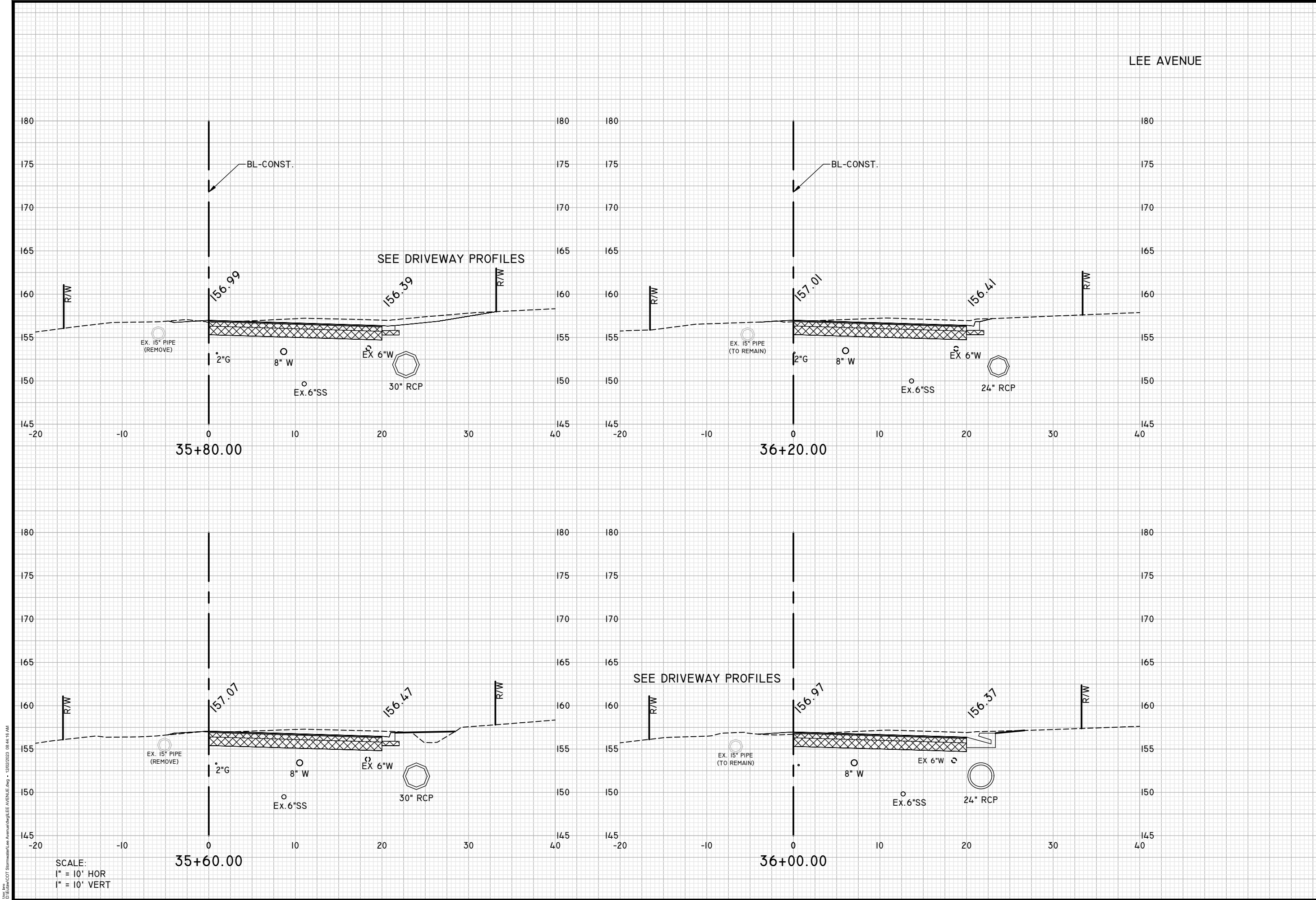
ORIGINAL	REVISIONS
Dec 02, 2023	1
	2
	3
	4
	5

CROSS SECTIONS

LEE AVENUE DRAINAGE IMPROVEMENT PROJECT

EUTAW, INC.
 ENGINEERING-UTILITIES TRANSPORTATION AND WATER
 2419 FLEISCHMANN ROAD, STE. 1
 TALLAHASSEE, FL 32308
 PHONE : (850) 383-9400
 WWW.EUTAWINC.COM
 FBPE REGISTRY #9961

JOB No.	LPL
DRAWN	LPL
DESIGNED	LPL
CHECKED	MWH
QC	LPL



SCALE:
 1" = 10' HOR
 1" = 10' VERT

LEE AVENUE

ENGINEER OF RECORD
 LANE P. LUCAS
 F.I.P.E. No. 53836
EUTAW, INC.
 2419 FLEISCHMANN ROAD
 TALLAHASSEE, FLORIDA 32308
 (850) 383-0400
 FBPE REGISTRY #9961
 Signature _____ Date _____

ORIGINAL	REVISIONS
Dec 02, 2023	1
	2
	3
	4
	5

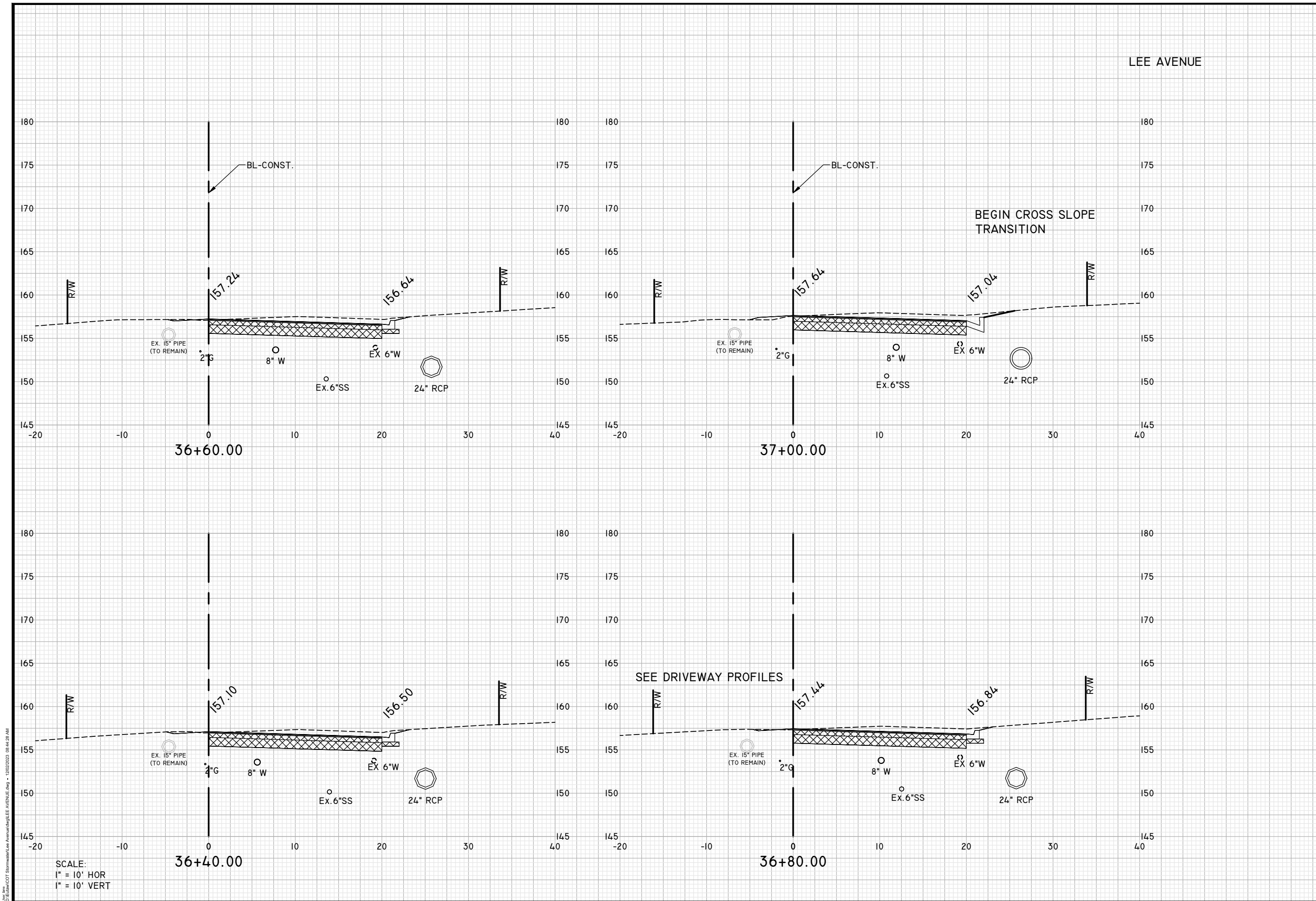
CROSS SECTIONS

**LEE AVENUE
 DRAINAGE
 IMPROVEMENT
 PROJECT**

EUTAW, INC.
 ENGINEERING-UTILITIES TRANSPORTATION AND WATER
 2419 FLEISCHMANN ROAD, STE. 1
 TALLAHASSEE, FL 32308
 PHONE : (850) 383-0400
 WWW.EUTAWINC.COM
 FBPE REGISTRY #9961

JOB No.	LPL
DRAWN	LPL
DESIGNED	LPL
CHECKED	MWH
QC	LPL

SHEET
45



SCALE:
 1" = 10' HOR
 1" = 10' VERT

LEE AVENUE

ENGINEER OF RECORD
 LANE P. LUCAS
 F.I.P.E. No. 53836
EUTAW, INC.
 2419 FLEISCHMANN ROAD
 TALLAHASSEE, FLORIDA 32308
 (850) 383-0400
 FBPE REGISTRY #9961
 Signature _____ Date _____

REVISIONS	DATE
1	
2	
3	
4	
5	

CROSS SECTIONS

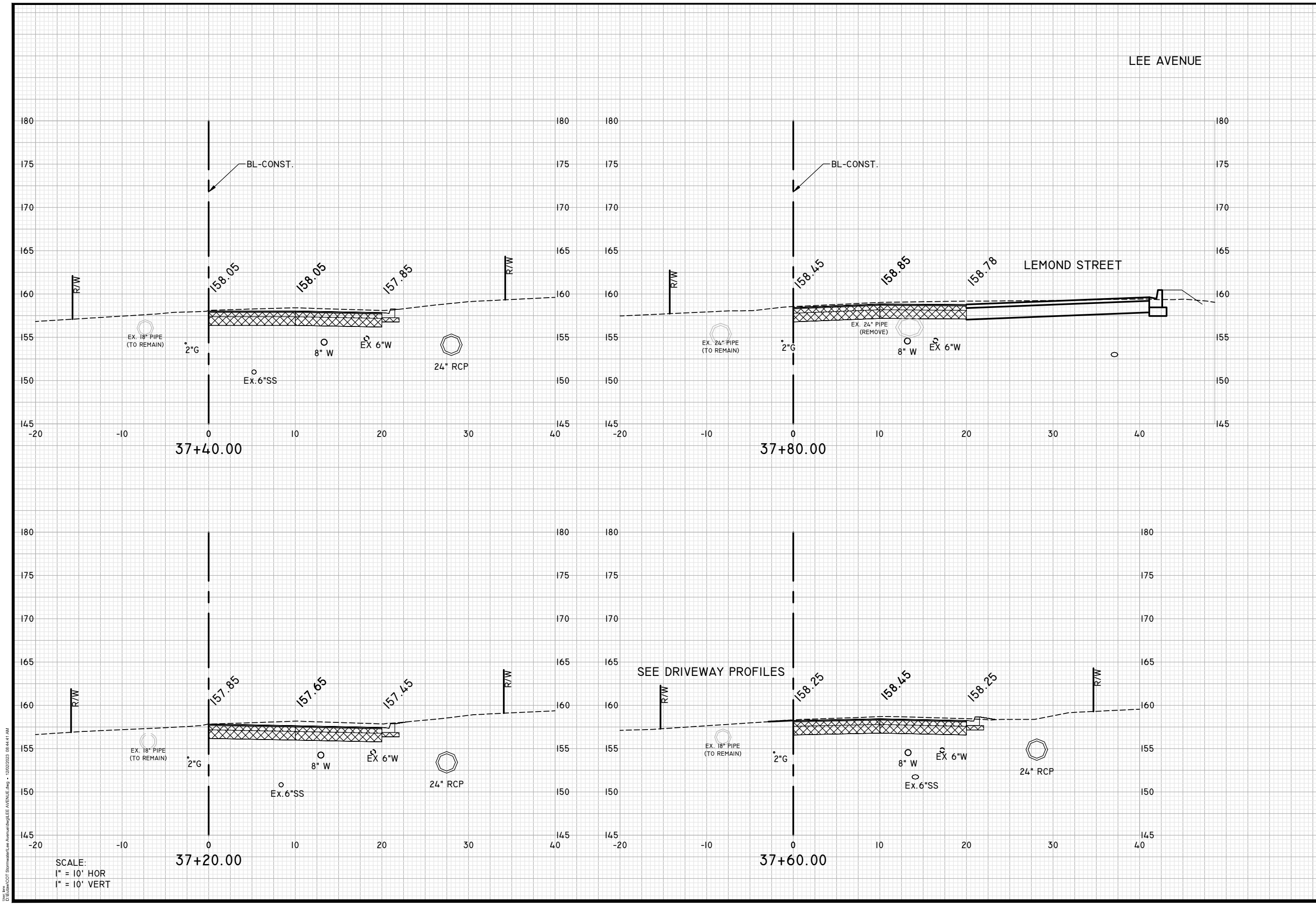
**LEE AVENUE
 DRAINAGE
 IMPROVEMENT
 PROJECT**

EUTAW, INC.
 ENGINEERING-UTILITIES TRANSPORTATION AND WATER
 2419 FLEISCHMANN ROAD, STE. 1
 TALLAHASSEE, FL 32308
 PHONE : (850) 383-0400
 WWW.EUTAWINC.COM
 FBPE REGISTRY #9961

JOB No.	
DRAWN	LPL
DESIGNED	LPL
CHECKED	MWH
QC	LPL

SHEET **46**

U:\1\1001\1001\Stormwater\Lee Avenue\Lee Avenue.dwg - 12/02/2023 08:44:38 AM



SCALE:
 1" = 10' HOR
 1" = 10' VERT

ENGINEER OF RECORD
 LANE P. LUCAS
 F.I.P.E. No. 53836
EUTAW, INC.
 2419 FLEISCHMANN ROAD
 TALLAHASSEE, FLORIDA 32308
 (850) 383-0400
 FBPE REGISTRY #9961
 Signature _____ Date _____

NO.	REVISIONS
1	ORIGINAL
2	
3	
4	
5	

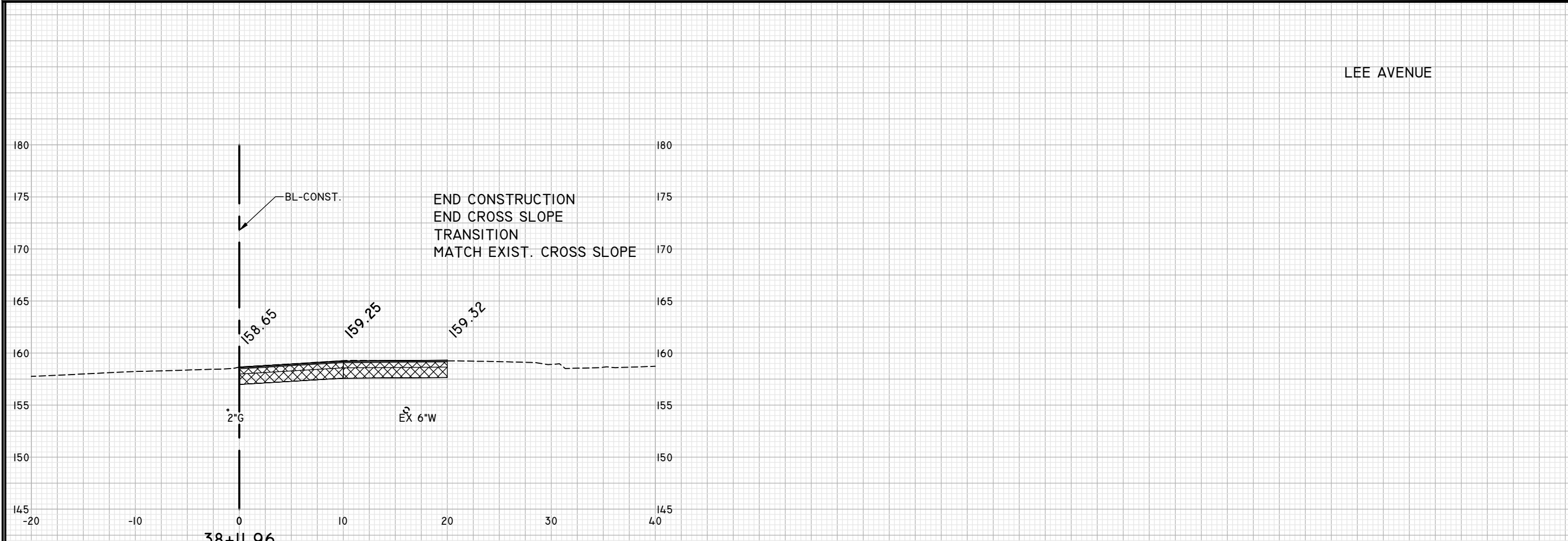
SHEET: Dec 02, 2023
CROSS SECTIONS

LEE AVENUE DRAINAGE IMPROVEMENT PROJECT

EUTAW, INC.
 ENGINEERING-UTILITIES TRANSPORTATION AND WATER
 2419 FLEISCHMANN ROAD, STE. 1
 TALLAHASSEE, FL 32308
 PHONE : (850) 383-0400
 WWW.EUTAWINC.COM
 FBPE REGISTRY #9961

JOB No.	LPL
DRAWN	LPL
DESIGNED	LPL
CHECKED	MWH
QC	LPL
SHEET	47

\\fw\luc\p\luc\Stormwater\Lee Avenue\Lee Avenue.dwg - 12/02/2023 08:44:51 AM



SCALE:
 1" = 10' HOR
 1" = 10' VERT

LEE AVENUE

ENGINEER OF RECORD
 LANE P. LUCAS
 F.L.P.E. No. 53836
EUTAW, INC.
 2419 FLEISCHMANN ROAD
 TALLAHASSEE, FLORIDA 32308
 (850) 383-9400
 FBPE REGISTRY #9961
 Signature _____ Date _____

ORIGINAL	REVISIONS
	1
	2
	3
	4
	5

SHEET
 PROJECT
CROSS SECTIONS

PROJECT
**LEE AVENUE
 DRAINAGE
 IMPROVEMENT
 PROJECT**




EUTAW, INC.
 ENGINEERING-UTILITIES, TRANSPORTATION, AND WATER
 2419 FLEISCHMANN ROAD, STE. 1
 TALLAHASSEE, FL 32308
 PHONE : (850) 383-9400
 WWW.EUTAWINC.COM
 FBPE REGISTRY #9961

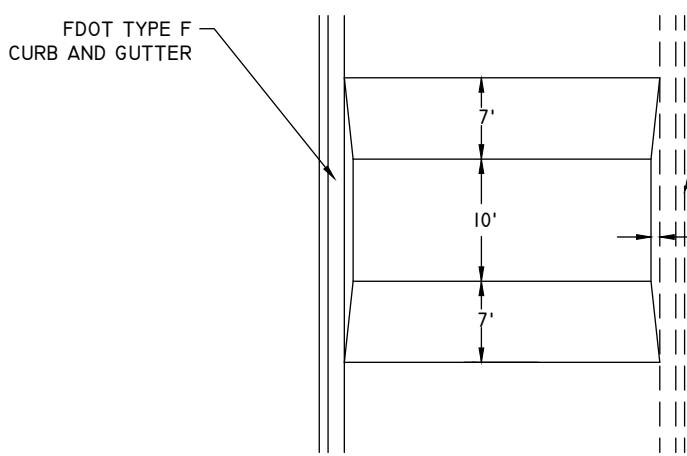
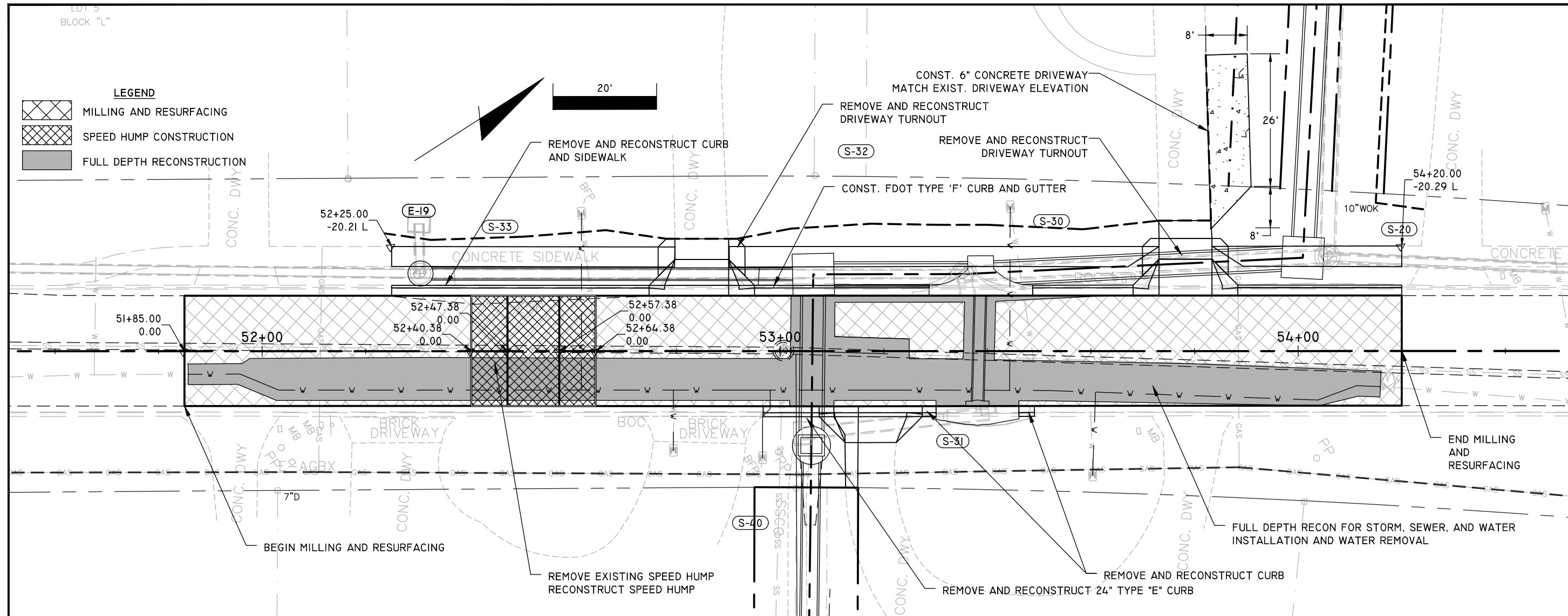
JOB No.	LPL
DRAWN	LPL
DESIGNED	LPL
CHECKED	MWH
QC	LPL

SHEET
48

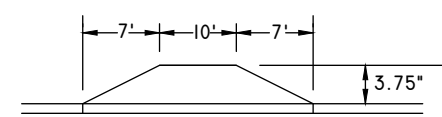
LOT 5
BLOCK "L"

LEGEND

-  MILLING AND RESURFACING
-  SPEED HUMP CONSTRUCTION
-  FULL DEPTH RECONSTRUCTION

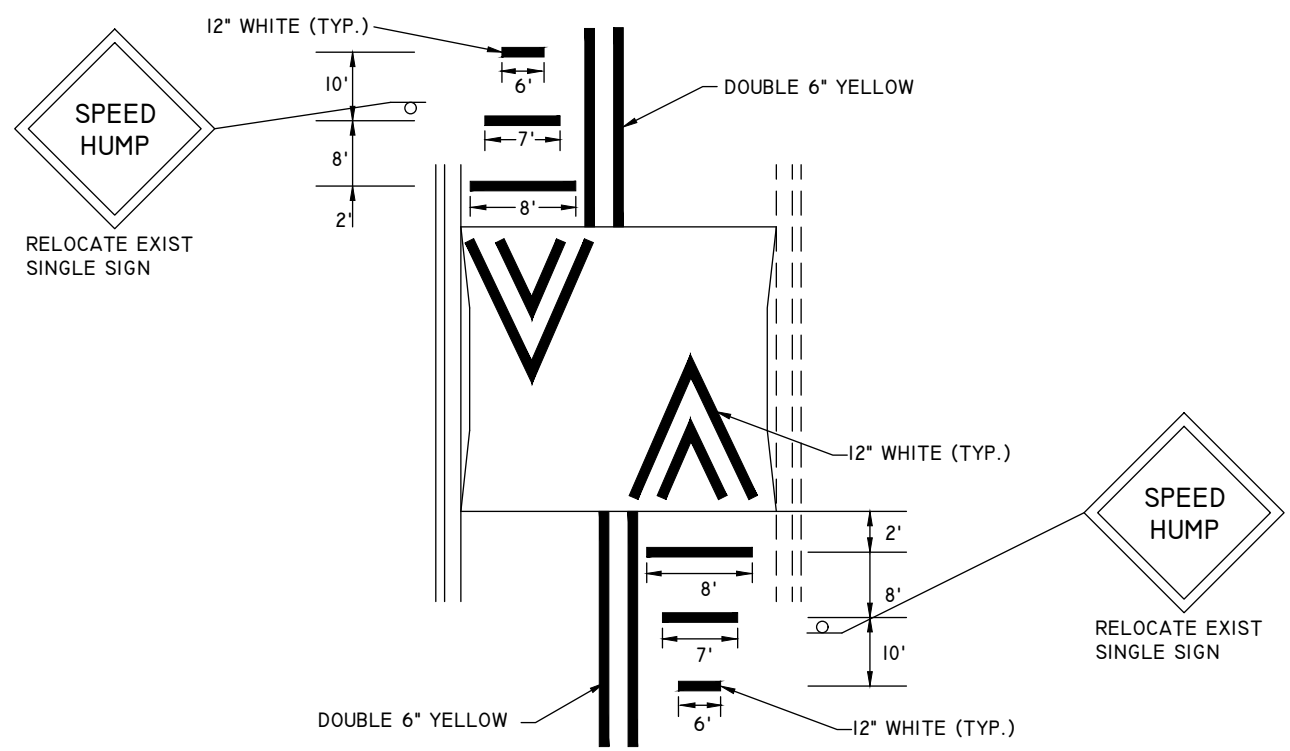


SPEED HUMP DETAIL



PROFILE

NOTE: INSET SPEED HUMP INTO FINAL ASPHALT LIFT



STRIPING PLAN

ENGINEER OF RECORD
LANE P. LUCAS
FL P.E. No. 53936
EUTAW, INC.
2419-1 Fleischmann Road
Tallahassee, Florida 32308
FPBE REGISTRY # 9961

Dec.02.2023

NO.	REVISIONS
1	ORIGINAL
2	
3	
4	
5	

ROADWAY DETAILS
TRESCOTT ROADWAY PAVING

LEE AVENUE
DRAINAGE
IMPROVEMENT
PROJECT

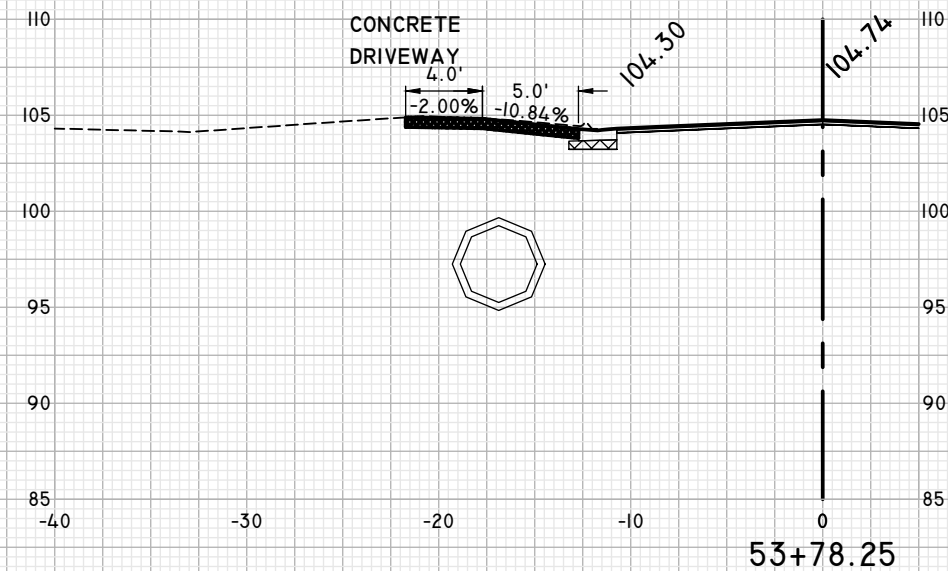
EUTAW, INC.
ENGINEERING-UTILITIES TRANSPORTATION AND WATER
2419 FLEISCHMANN ROAD, STE. 1
TALLAHASSEE, FL 32308
PHONE : (850) 383-0400
WWW.EUTAWINC.COM
FPBE REGISTRY #9961

JOB No.	LPL
DRAWN	LPL
DESIGNED	MWH
CHECKED	LPL
QC	

SHEET **49**

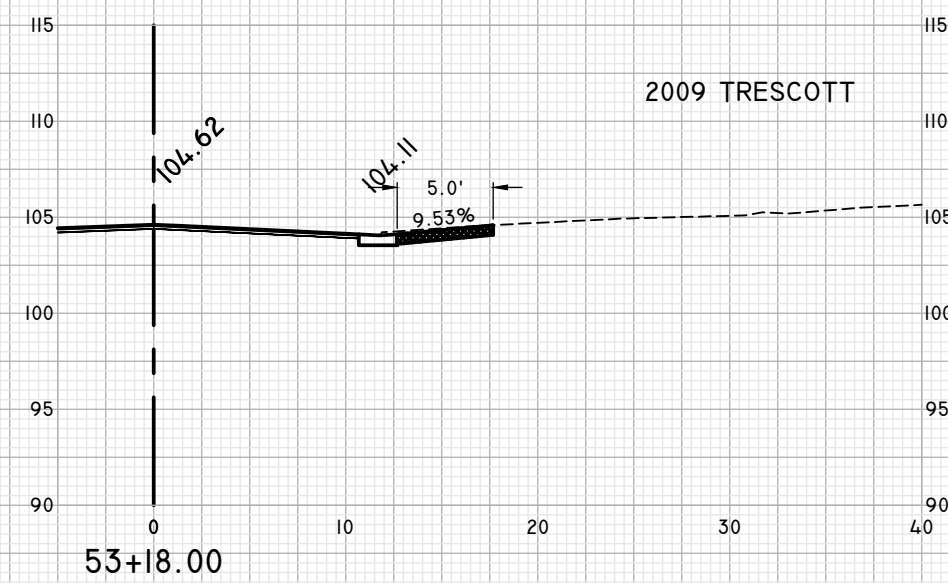
D:\Projects\2023\Lee Avenue\Lee Avenue.dwg - 12/02/2023 08:45:01 AM

2050 TRESCOTT



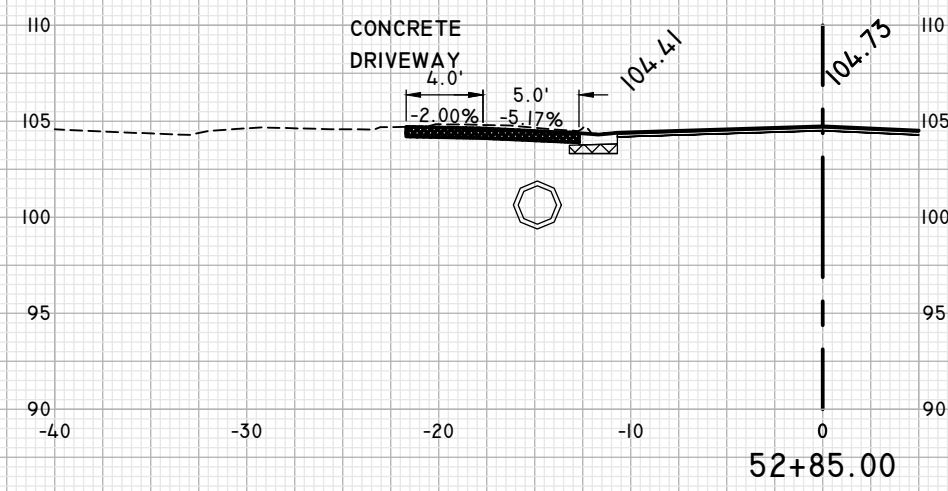
53+78.25

2009 TRESCOTT



53+18.00

2042 TRESCOTT



52+85.00

SCALE:
1" = 10' HOR
1" = 10' VERT

ENGINEER OF RECORD
LANE P. LUCAS
F.L.P.E. No. 53836
EUTAW, INC.
2419-Fleischmann Road
Tallahassee, Florida 32308
(850) 383-9400
FBPE REGISTRY #9961
Signature _____ Date _____

ORIGINAL	REVISIONS
	1
	2
	3
	4
	5

SHEET: Dec 02, 2023
PROJECT: ROADWAY DETAILS
DRIVEWAY PROFILES

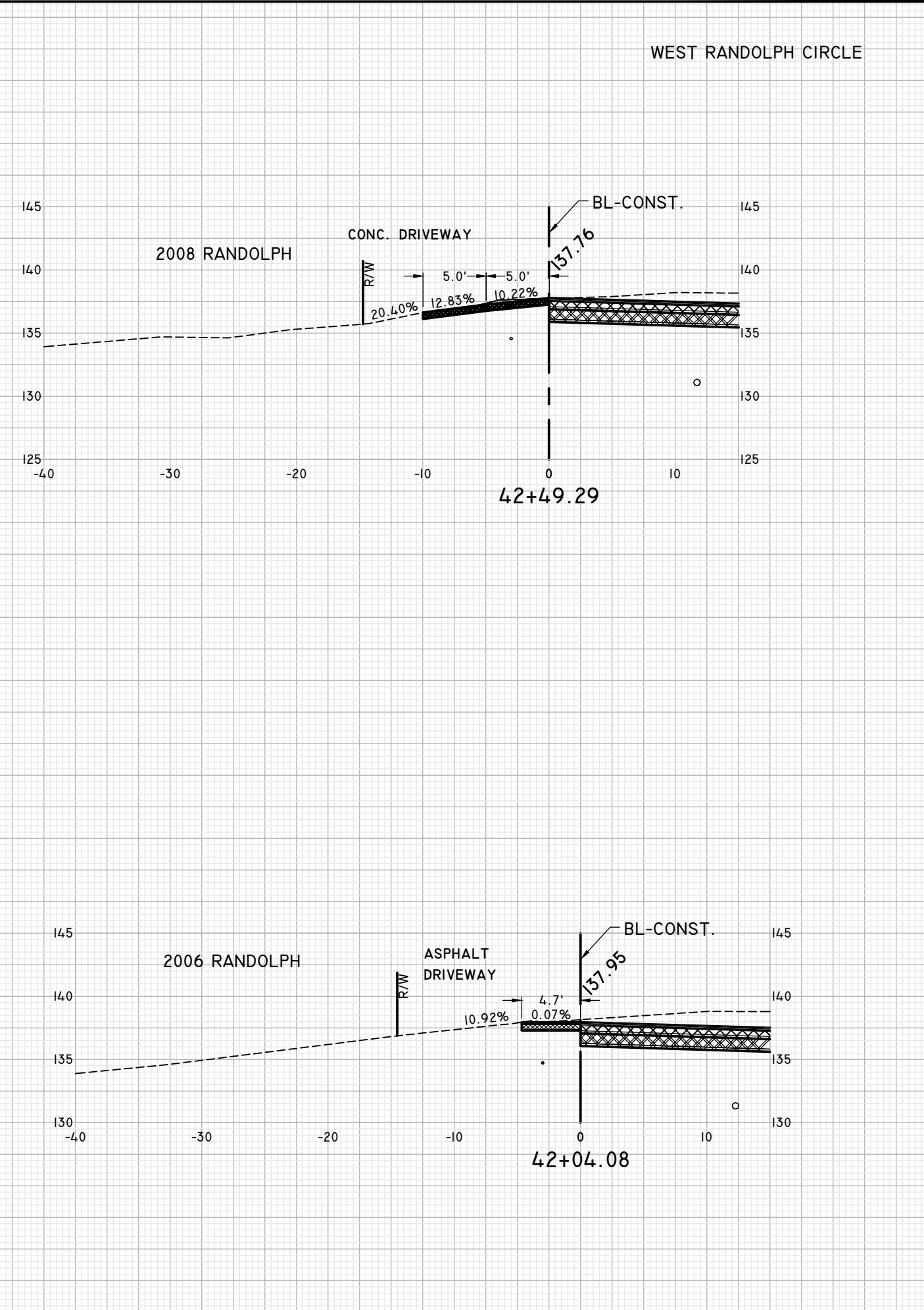
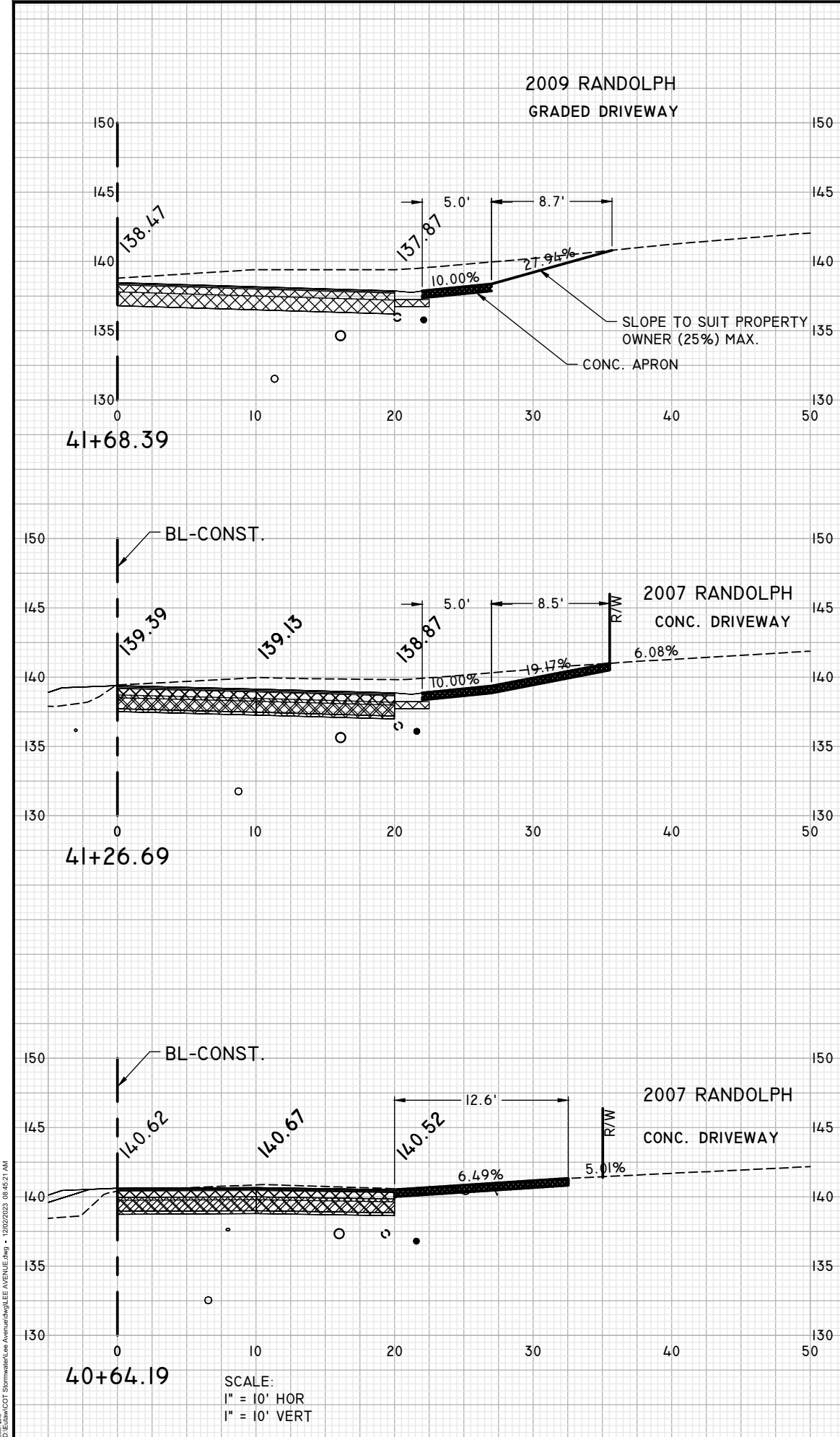
PROJECT: LEE AVENUE
DRAINAGE
IMPROVEMENT
PROJECT

EUTAW, INC.
ENGINEERING-UTILITIES TRANSPORTATION AND WATER
2419 FLEISCHMANN ROAD, STE. 1
TALLAHASSEE, FL 32308
PHONE : (850) 383-9400
WWW.EUTAWINC.COM
FBPE REGISTRY #9961

JOB No.	LPL
DRAWN	LPL
DESIGNED	LPL
CHECKED	MWH
QC	LPL

SHEET: 50

D:\12\120223\Lee Avenue\Lee Avenue.dwg - 12/02/2023 08:45:11 AM



ENGINEER OF RECORD
LANE P. LUCAS
F.L.P.E. No. 53836
Eutaw, Inc.
2419-Fleischmann Road
Tallahassee, Florida 32308
(850) 383-9400
FBPE REGISTRY #9961
Date

ORIGINAL Dec 02, 2023

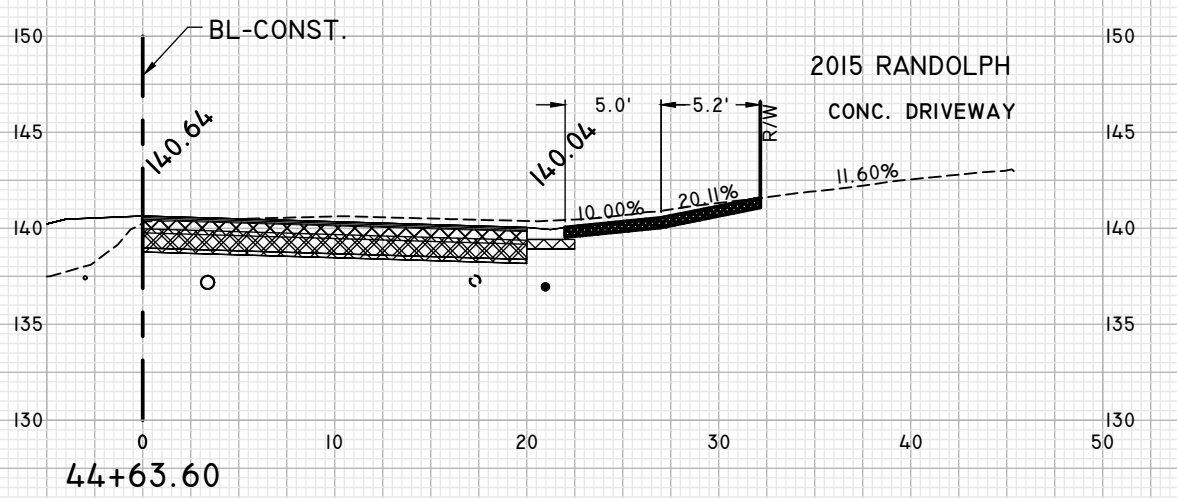
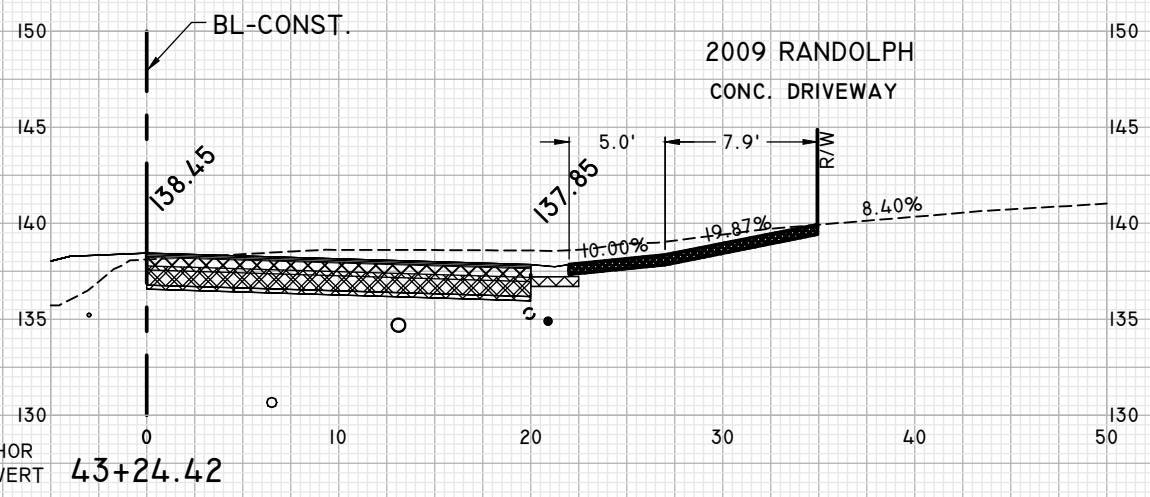
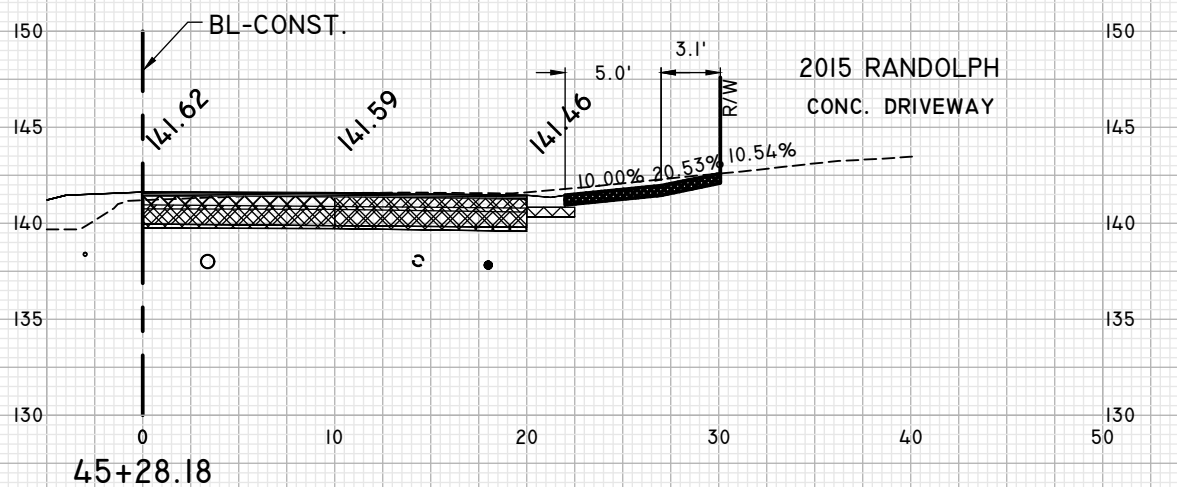
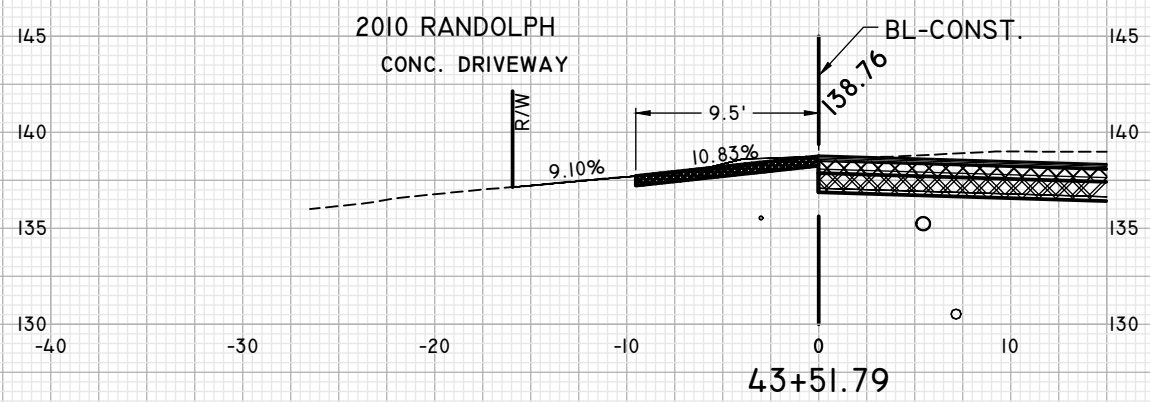
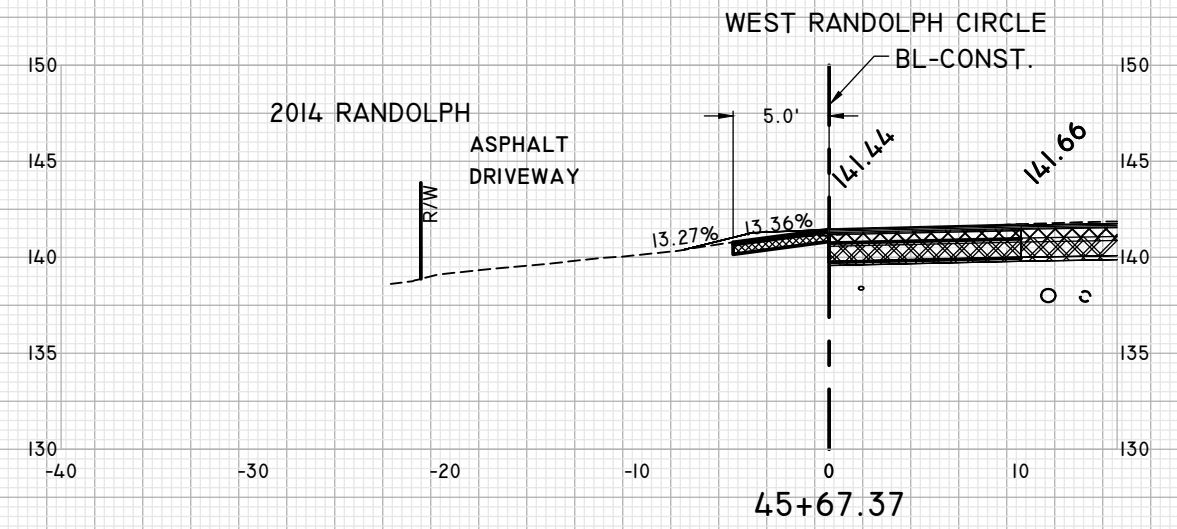
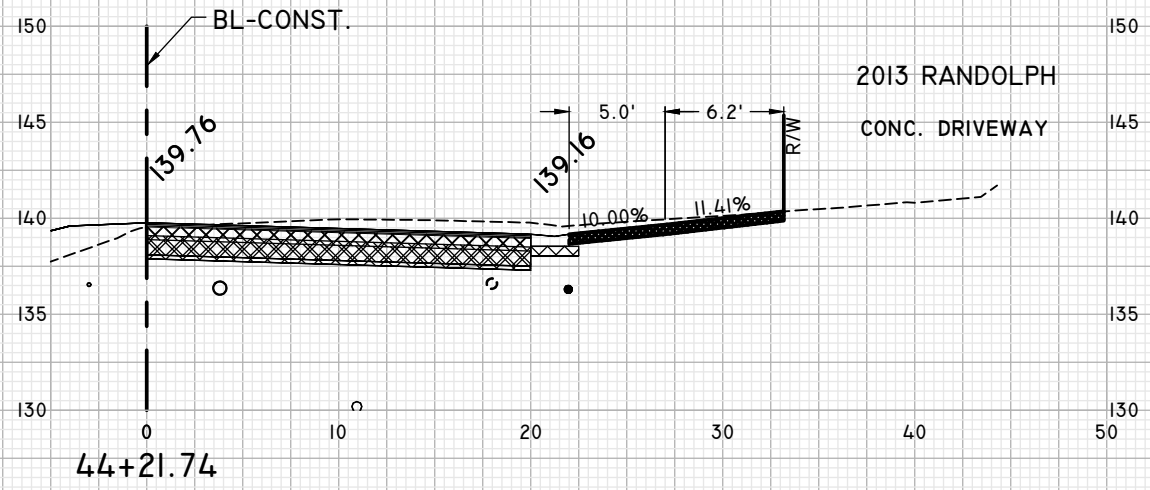
REVISIONS	1	2	3	4	5

**ROADWAY DETAILS
DRIVEWAY PROFILES**

**LEE AVENUE
DRAINAGE
IMPROVEMENT
PROJECT**

Eutaw, Inc.
ENGINEERING-UTILITIES TRANSPORTATION AND WATER
2419 FLEISCHMANN ROAD, STE. 1
TALLAHASSEE, FL 32308
PHONE : (850) 383-9400
WWW.EUTAWINC.COM
FBPE REGISTRY #9961

JOB No.	LPL
DRAWN	LPL
DESIGNED	LPL
CHECKED	MWH
QC	LPL
SHEET	51



SCALE:
 1" = 10' HOR
 1" = 10' VERT

ENGINEER OF RECORD
 LANE P. LUCAS
 F.P.E. No. 53836
Eutaw, Inc.
 2419-Fleischmann Road
 Tallahassee, Florida 32308
 (850) 383-9400
 FBPE REGISTRY #9961
 Signature _____ Date _____

ORIGINAL	REVISIONS
1	Dec 02, 2023
2	
3	
4	
5	

**ROADWAY DETAILS
 DRIVEWAY PROFILES**

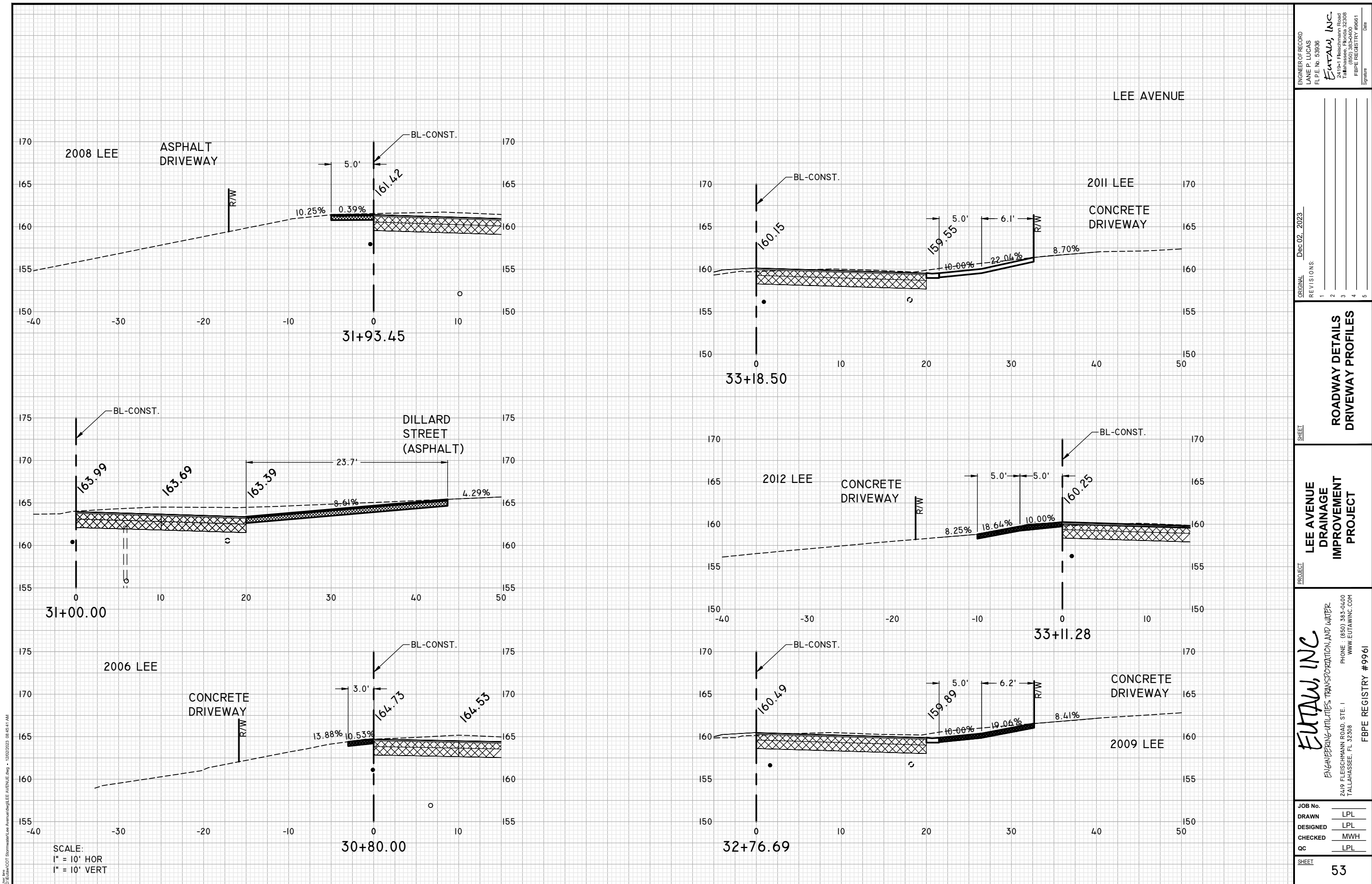
**LEE AVENUE
 DRAINAGE
 IMPROVEMENT
 PROJECT**

Eutaw, Inc.
 ENGINEERING-UTILITIES TRANSPORTATION AND WATER
 2419 FLEISCHMANN ROAD, STE. 1
 TALLAHASSEE, FL 32308
 PHONE : (850) 383-9400
 WWW.EUTAWINC.COM
 FBPE REGISTRY #9961

JOB No.	LPL
DRAWN	LPL
DESIGNED	LPL
CHECKED	MWH
QC	LPL

SHEET
52

U:\Projects\2023\Lee Avenue\Lee Avenue.dwg - 12/02/2023 08:45:33 AM



SCALE:
 1" = 10' HOR
 1" = 10' VERT

ENGINEER OF RECORD
 LANE P. LUCAS
 F.L.P.E. No. 53836
EUTAW, INC.
 2419 FLEISCHMANN ROAD
 TALLAHASSEE, FLORIDA 32308
 (850) 383-0400
 FBPE REGISTRY #9961
 Signature _____ Date _____

NO.	REVISIONS
1	ORIGINAL
2	
3	
4	
5	

Dec 02, 2023
**ROADWAY DETAILS
 DRIVEWAY PROFILES**

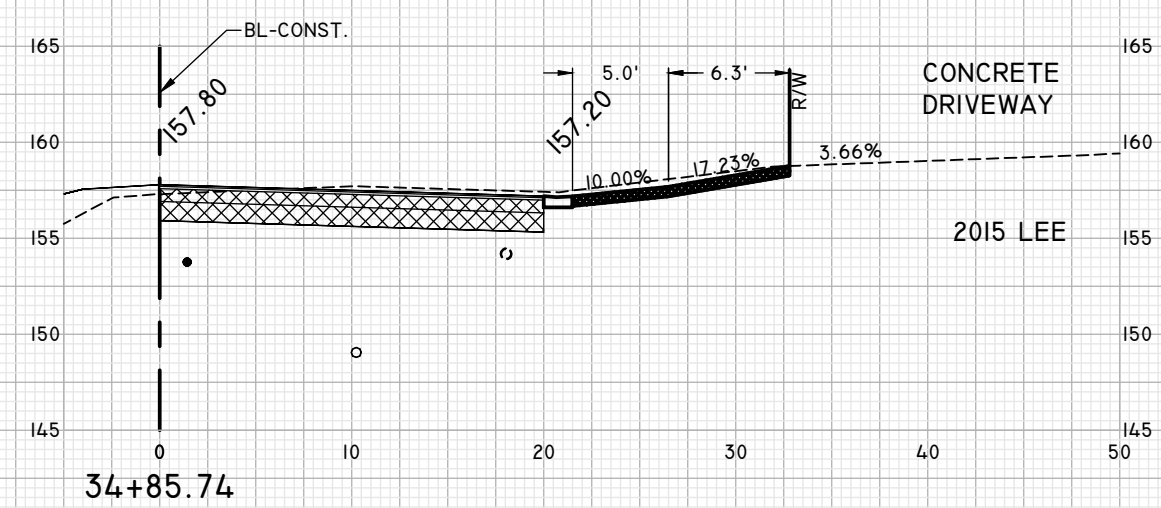
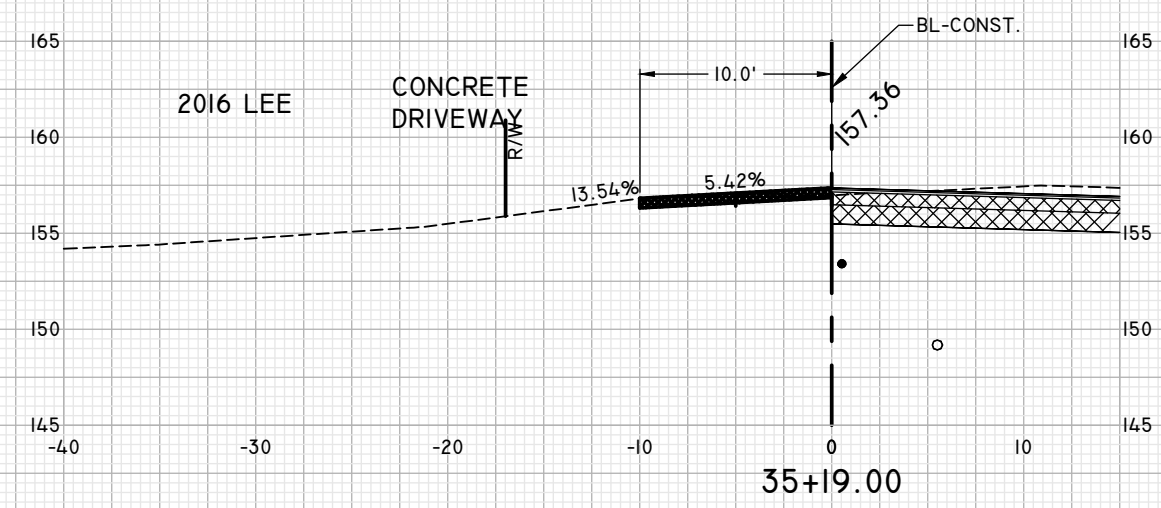
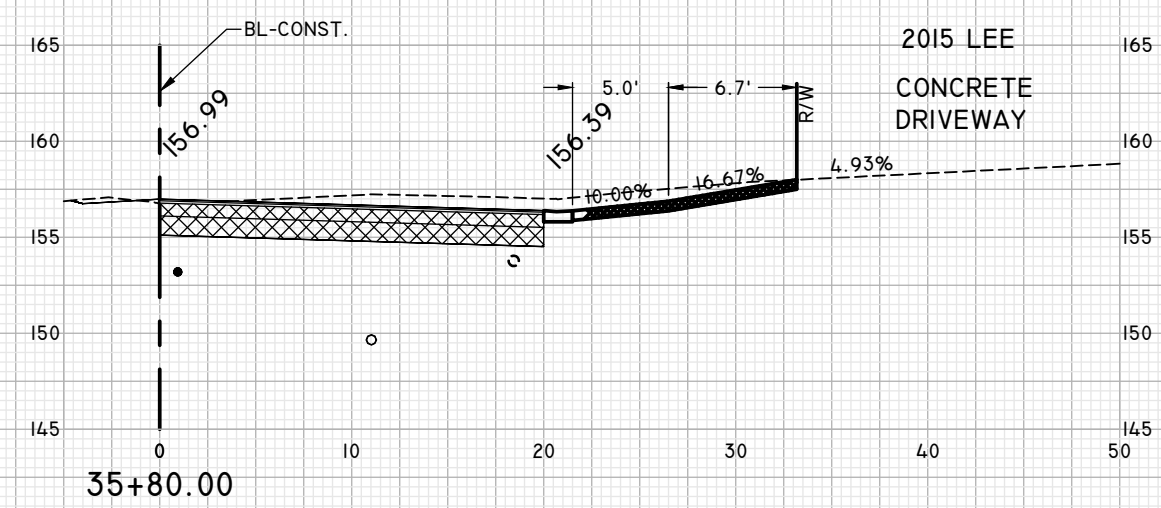
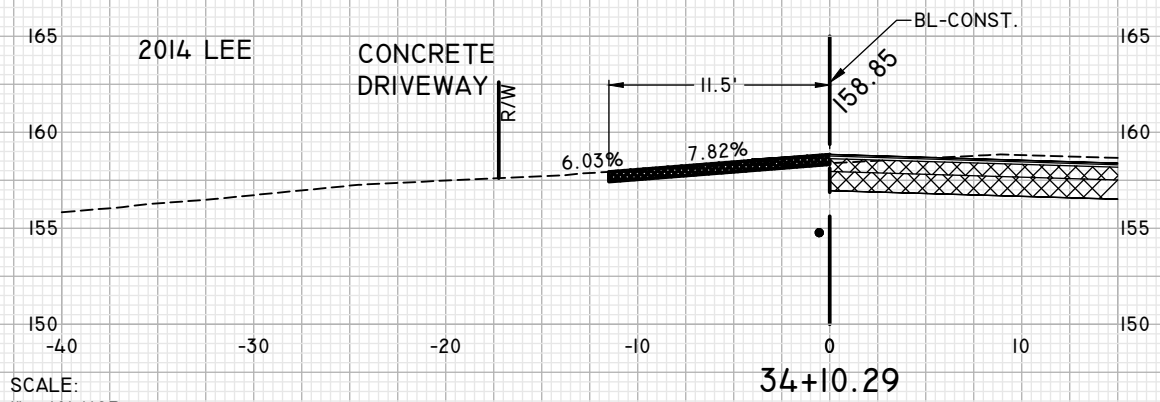
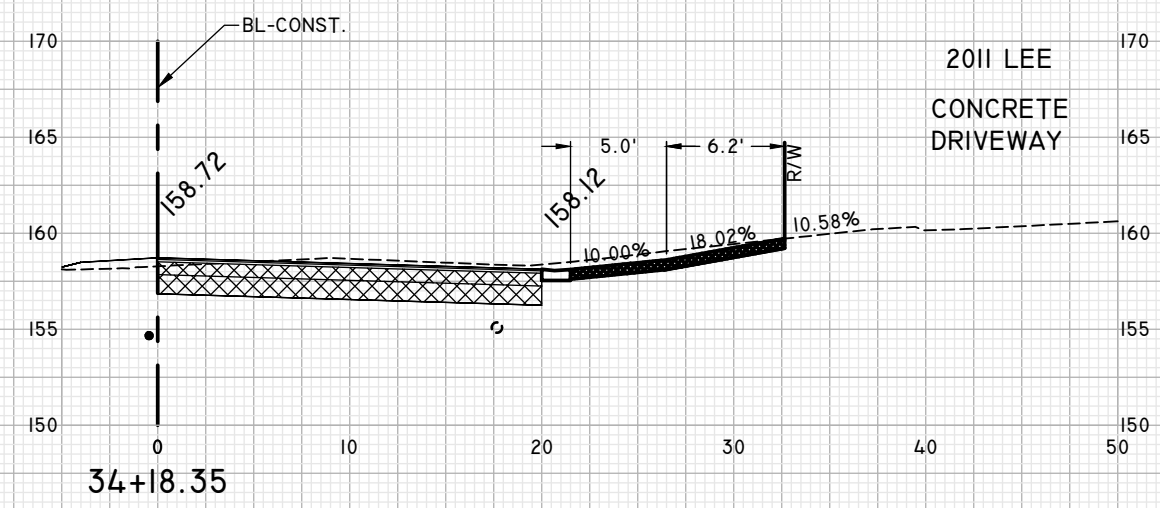
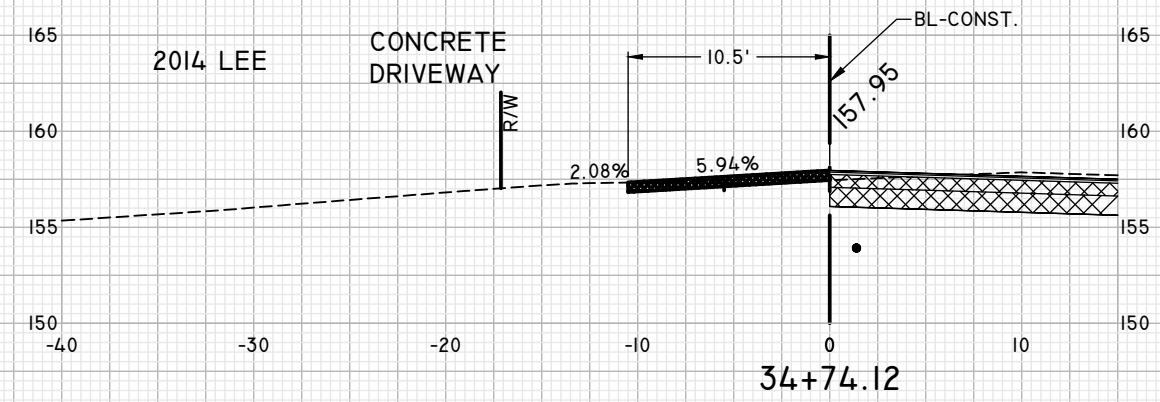
**LEE AVENUE
 DRAINAGE
 IMPROVEMENT
 PROJECT**

EUTAW, INC.
 ENGINEERING-UTILITIES, TRANSPORTATION, AND WATER
 2419 FLEISCHMANN ROAD, STE. 1
 TALLAHASSEE, FL 32308
 PHONE : (850) 383-0400
 WWW.EUTAWINC.COM
 FBPE REGISTRY #9961

JOB No.	LPL
DRAWN	LPL
DESIGNED	LPL
CHECKED	MWH
QC	LPL

SHEET
53

U:\1\1000\1000\Stormwater\Lee Avenue\Lee Avenue.dwg - 12/02/2023 08:45:50 AM



SCALE:
 1" = 10' HOR
 1" = 10' VERT

LEE AVENUE

2015 LEE
CONCRETE
DRIVEWAY

2016 LEE
CONCRETE
DRIVEWAY

2014 LEE
CONCRETE
DRIVEWAY

CONCRETE
DRIVEWAY

2011 LEE
CONCRETE
DRIVEWAY

2014 LEE

ENGINEER OF RECORD
 LANE P. LUCAS
 F.I.P.E. No. 53836
EUTAW, INC.
 2419 FLEISCHMANN ROAD
 TALLAHASSEE, FLORIDA 32308
 (850) 383-9400
 FBPE REGISTRY #9961

ORIGINAL	REVISIONS
1	
2	
3	
4	
5	

Dec 02, 2023
 ROADWAY DETAILS
 DRIVEWAY PROFILES

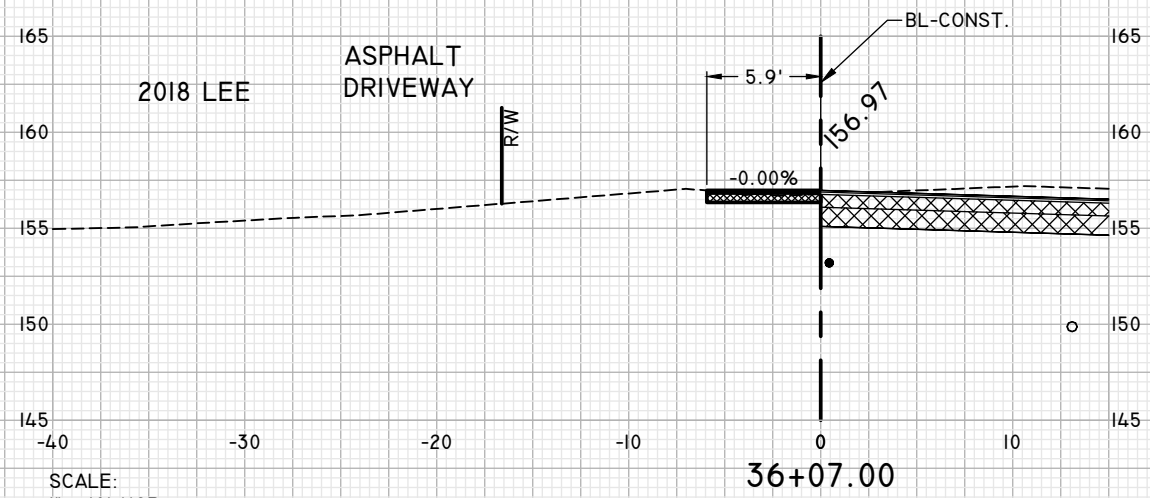
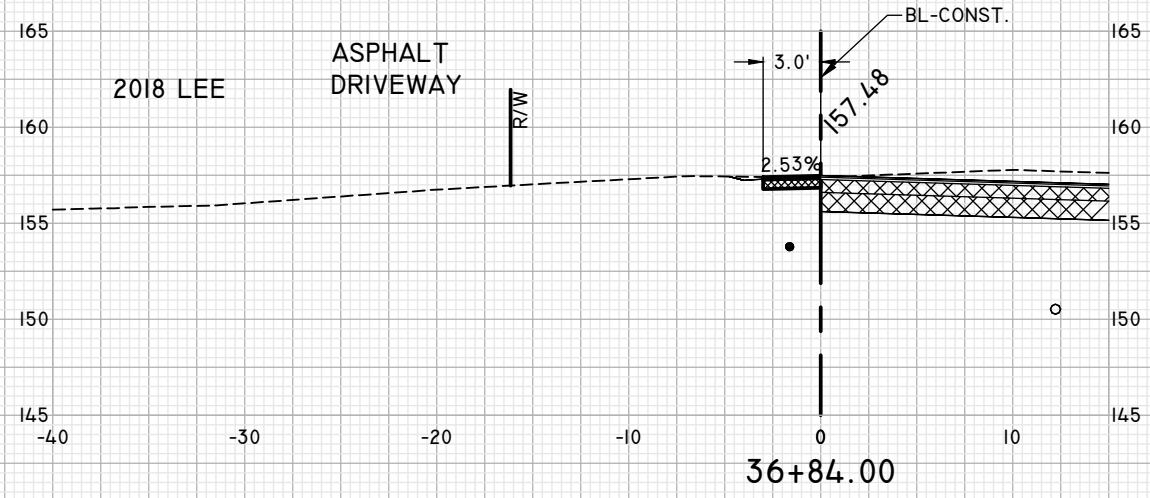
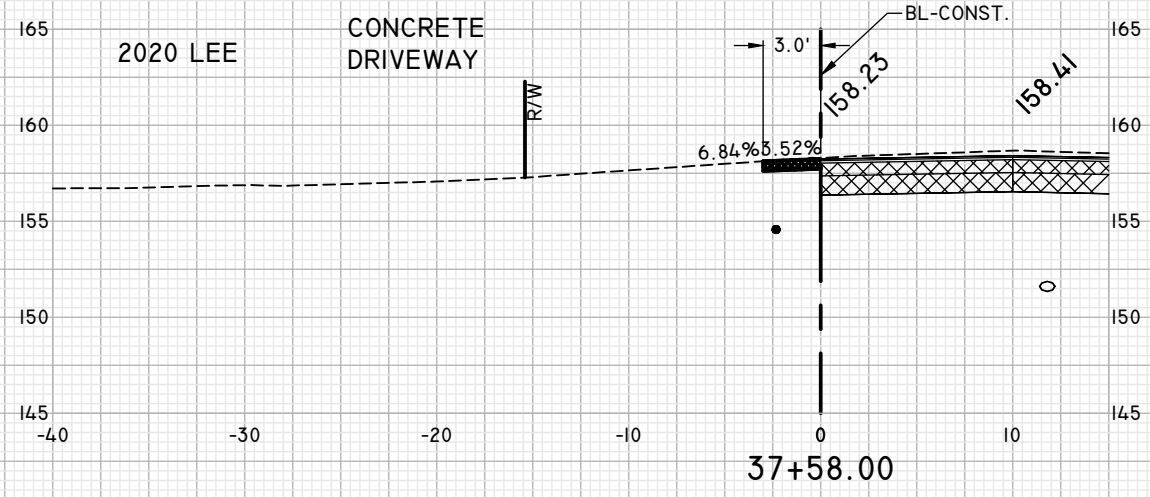
LEE AVENUE
 DRAINAGE
 IMPROVEMENT
 PROJECT

EUTAW, INC.
 ENGINEERING-UTILITIES TRANSPORTATION AND WATER
 2419 FLEISCHMANN ROAD, STE. 1
 TALLAHASSEE, FL 32308
 PHONE : (850) 383-9400
 WWW.EUTAWINC.COM
 FBPE REGISTRY #9961

JOB No.	LPL
DRAWN	LPL
DESIGNED	LPL
CHECKED	MWH
QC	LPL

SHEET 54

U:\18\18001 Stormwater\Lee Avenue\DWG\LEE AVENUE.dwg - 12/02/2023 08:46:01 AM



SCALE:
1" = 10' HOR
1" = 10' VERT

LEE AVENUE

ENGINEER OF RECORD
 LANE P. LUCAS
 F.I.P.E. No. 53836
EUTAW, INC.
 2419 FLEISCHMANN ROAD
 TALLAHASSEE, FLORIDA 32308
 (850) 383-9400
 FBPE REGISTRY #9961
 Signature _____ Date _____

ORIGINAL	REVISIONS
	1
	2
	3
	4
	5

SHEET: Dec 02, 2023
**ROADWAY DETAILS
 DRIVEWAY PROFILES**

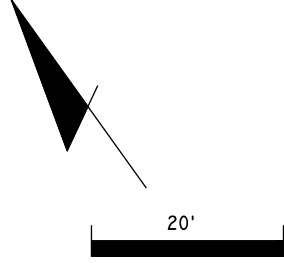
PROJECT: **LEE AVENUE
 DRAINAGE
 IMPROVEMENT
 PROJECT**

EUTAW, INC.
 ENGINEERING-UTILITIES-TRANSPORTATION AND WATER
 2419 FLEISCHMANN ROAD, STE. 1
 TALLAHASSEE, FL 32308
 PHONE : (850) 383-9400
 WWW.EUTAWINC.COM
 FBPE REGISTRY #9961

JOB No.	LPL
DRAWN	LPL
DESIGNED	LPL
CHECKED	MWH
QC	LPL

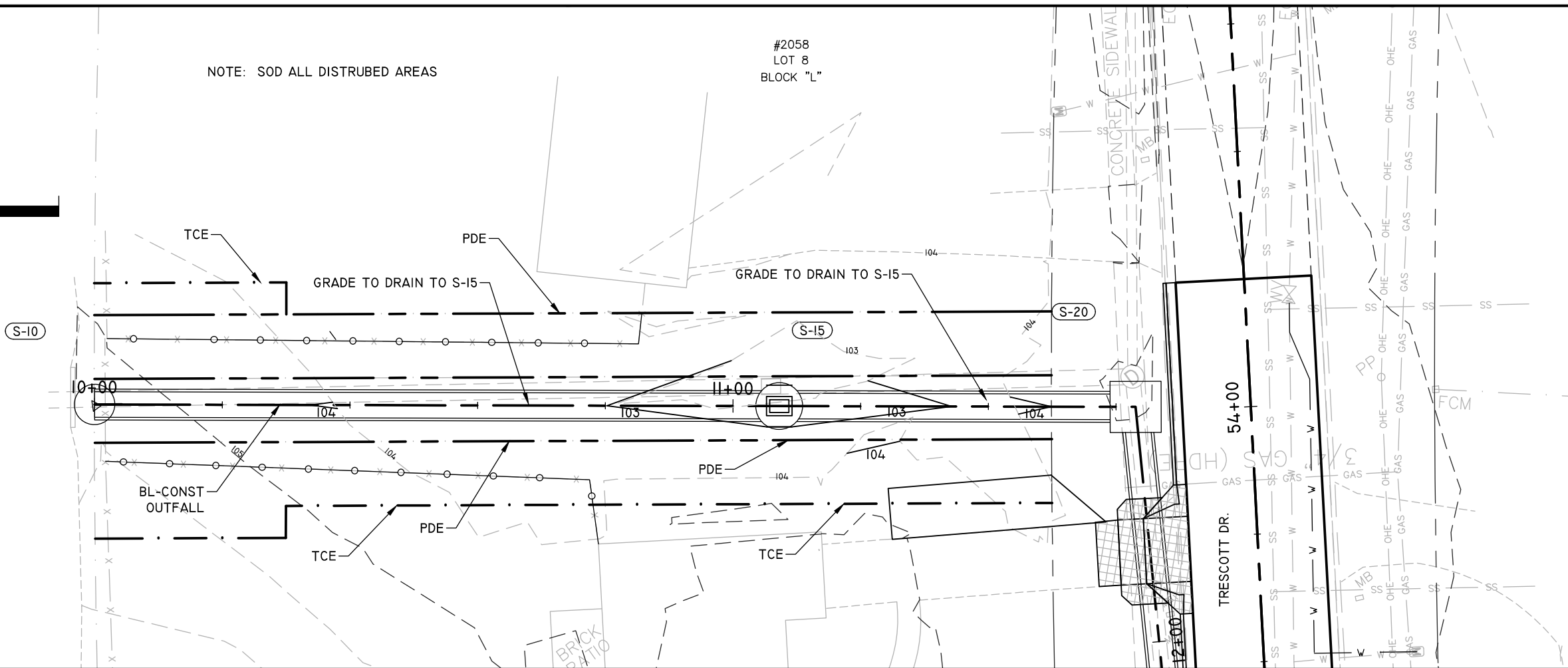
SHEET: 55

DATE: 12/20/2023 08:46:17 AM
D:\EUTAW\OT Stormwater\Lee Avenue\DWG\LEE AVENUE.dwg



NOTE: SOD ALL DISTURBED AREAS

#2058
LOT 8
BLOCK "L"



JOB No.
DRAWN: LPL
DESIGNED: LPL
CHECKED: MWH
QC: LPL

SHEET: 56

EUTAW, INC
ENGINEERING-UTILITIES-TRANSPORTATION AND WATER
2419 FLEISCHMANN ROAD, STE. 1
TALLAHASSEE, FL 32308
PHONE: (850) 383-0400
WWW.EUTAWINC.COM
FBPE REGISTRY #9961

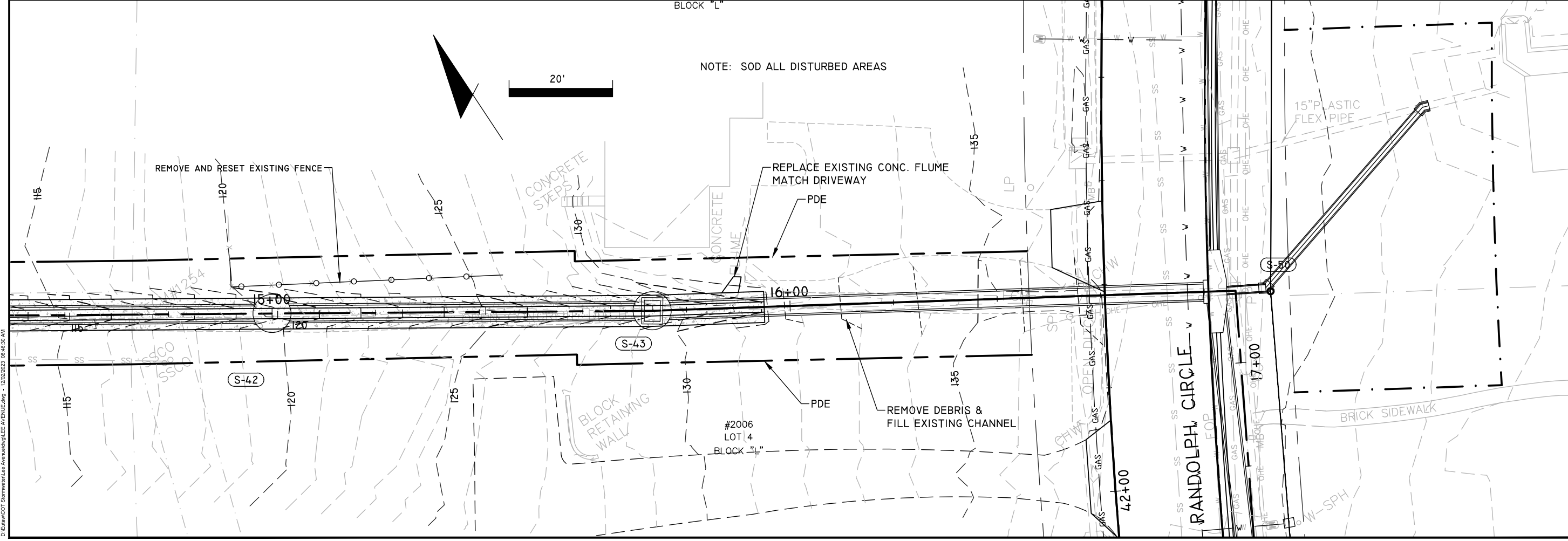
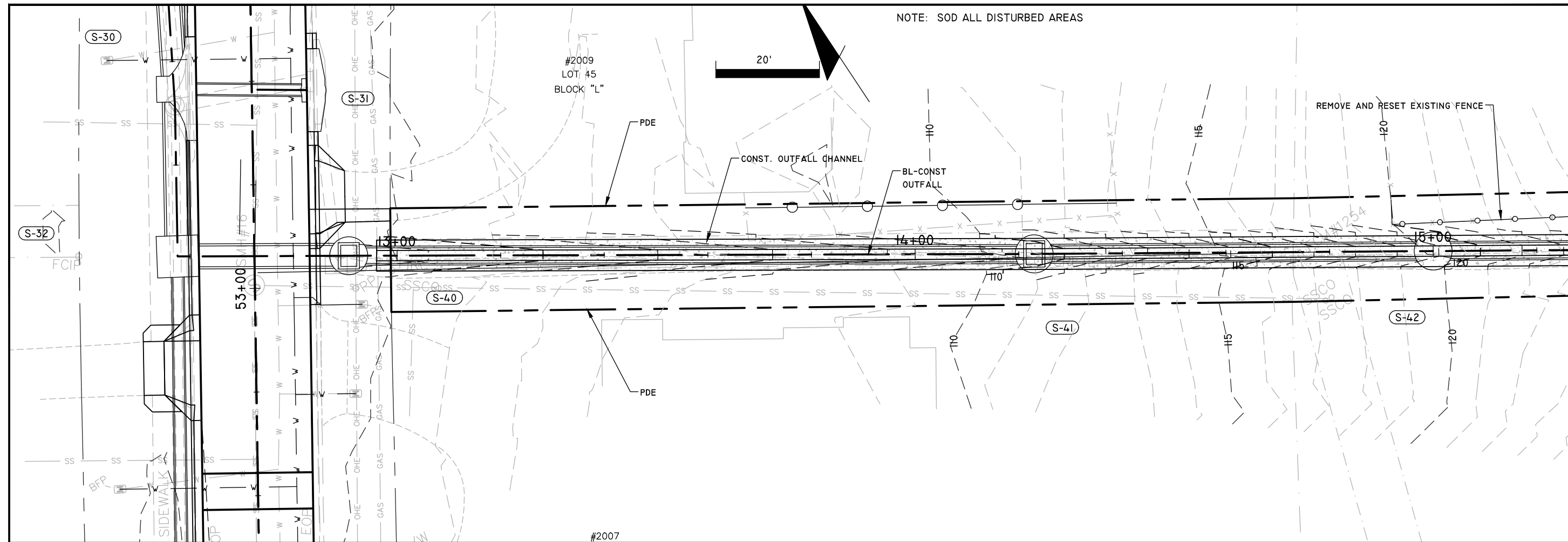
PROJECT: **LEE AVENUE DRAINAGE IMPROVEMENT PROJECT**

SHEET: **GRADING DETAIL**

REVISIONS:
1
2
3
4
5

ORIGINAL: Dec 02, 2023

ENGINEER OF RECORD
Lane P. Lucas
F.P.E. No. 53936
EUTAW, INC.
2419-1 Fleischmann Road
Tallahassee, Florida 32308
(850) 383-0400
FBPE REGISTRY # 9961

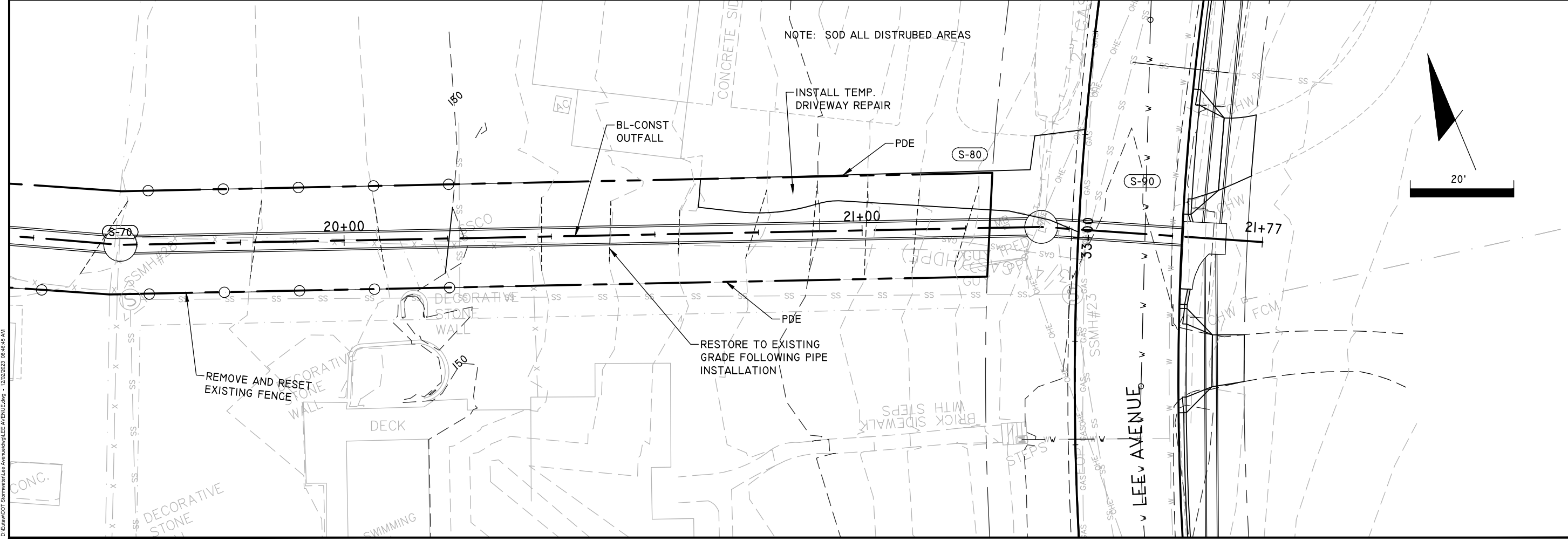
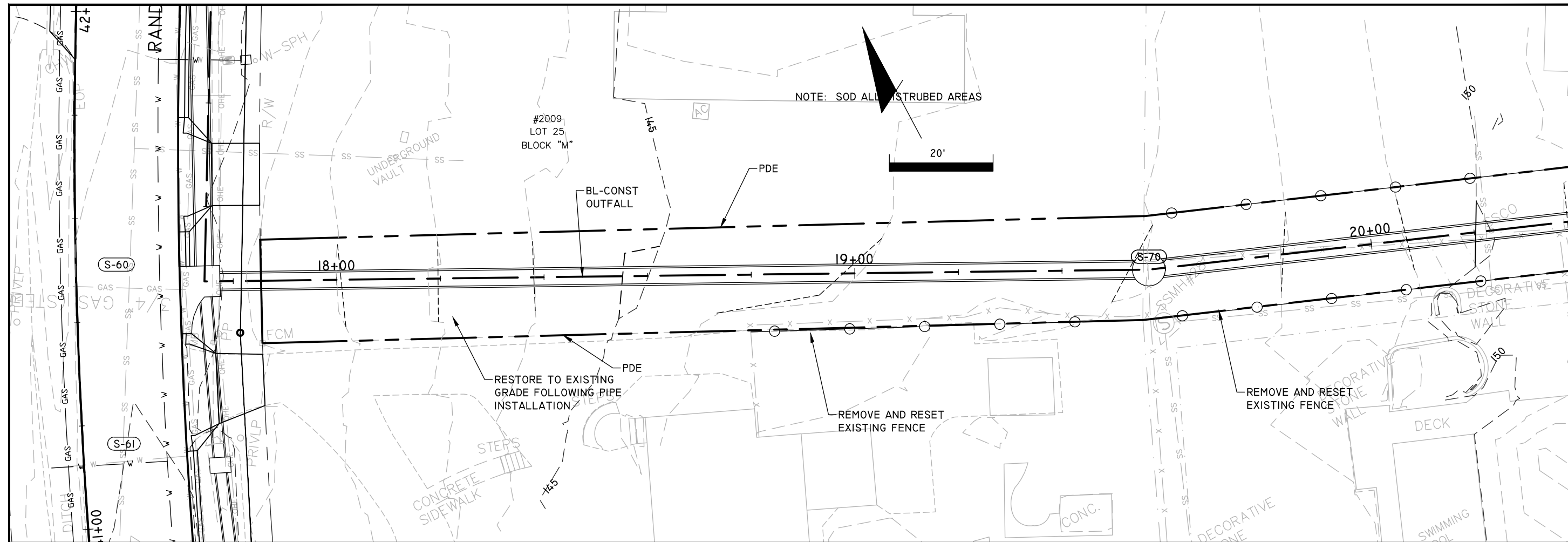


NOTE: SOD ALL DISTURBED AREAS

NOTE: SOD ALL DISTURBED AREAS

<p>ENGINEER OF RECORD Lane P. Lucas FL P.E. No. 53936</p> <p>EUTAW, INC. 2419-1 Fleischmann Road Tallahassee, Florida 32308 (850) 383-0400 WWW.EUTAWINC.COM FBPE REGISTRY # 9961</p>											
<p>ORIGINAL Dec 02, 2023</p>	<p>REVISIONS:</p> <table border="1"> <tr><td>1</td><td></td></tr> <tr><td>2</td><td></td></tr> <tr><td>3</td><td></td></tr> <tr><td>4</td><td></td></tr> <tr><td>5</td><td></td></tr> </table>	1		2		3		4		5	
1											
2											
3											
4											
5											
<p>SHEET</p> <p>GRADING DETAIL</p>											
<p>PROJECT</p> <p>LEE AVENUE DRAINAGE IMPROVEMENT PROJECT</p>											
<p>JOB No. DRAWN: <u>LPL</u> DESIGNED: <u>LPL</u> CHECKED: <u>MWH</u> QC: <u>LPL</u></p>											
<p>SHEET</p> <p>57</p>											

DATE PLOTTED: 12/02/2023 09:46:30 AM
 D:\EUTAW\OT\Shomwater\Lee Avenue\Lee Avenue.dwg



ENGINEER OF RECORD
Lane P. Lucas
F.P.E. No. 53936

EUTAW, INC.
2419-1 Fleischmann Road
Tallahassee, Florida 32308
(904) 833-0400
FBPE REGISTRY # 9961

Dec 02, 2023

ORIGINAL
REVISIONS:
1
2
3
4
5

GRADING DETAIL

PROJECT
LEE AVENUE DRAINAGE IMPROVEMENT PROJECT

EUTAW, INC.
ENGINEERING-UTILITIES, TRANSPORTATION AND WATER
2419 FLEISCHMANN ROAD, STE. 1
TALLAHASSEE, FL 32308
PHONE : (850) 383-0400
WWW.EUTAWINC.COM

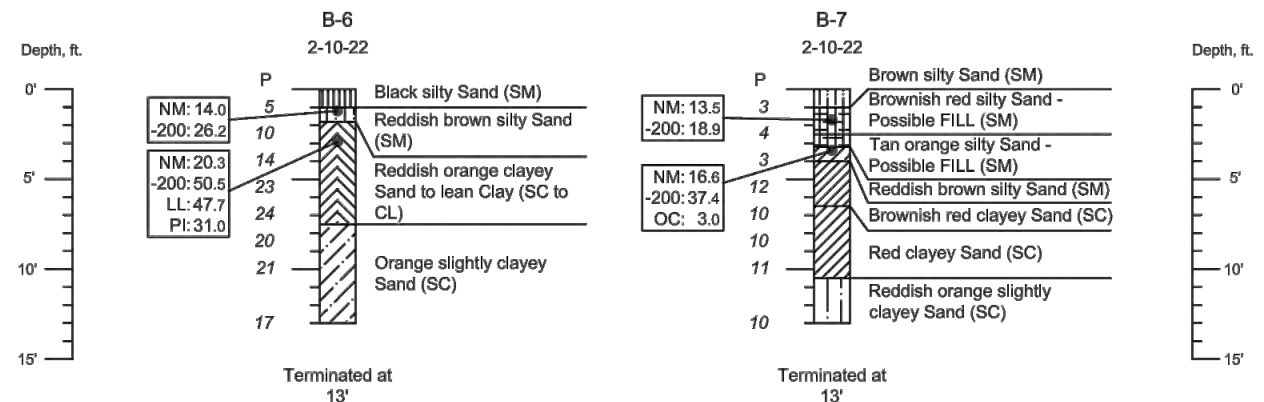
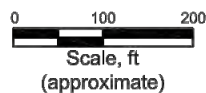
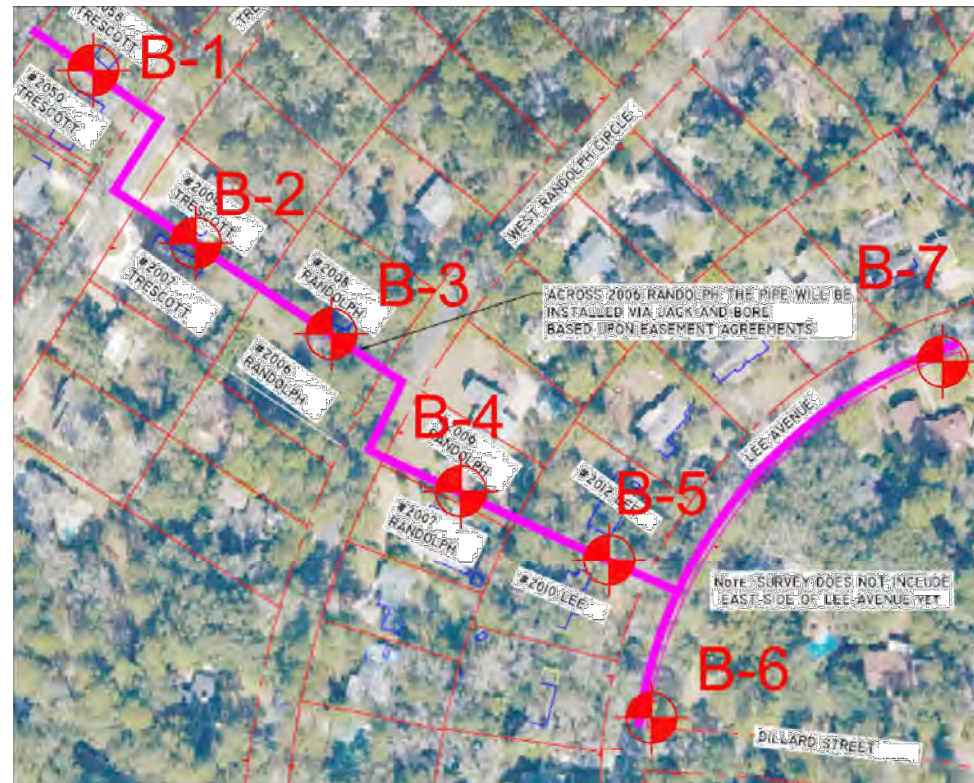
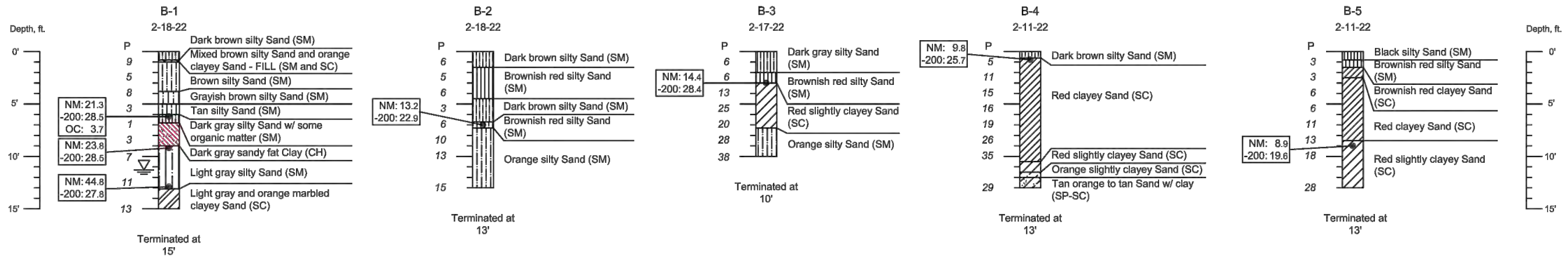
FBPE REGISTRY #9961

JOB No.
DRAWN LPL
DESIGNED LPL
CHECKED MMH
QC LPL

SHEET
58

DATE PLOTTED: 12/02/2023 09:46:45 AM
D:\EUTAW\Projects\Lee Avenue\Lee Avenue.dwg

Soil Boring Profiles and Locations



NOTES

- 1) Although the borings represent the subsurface conditions at their respective locations, it should be understood that significant differences could exist between borings and these may not be discovered until later.
- 2) Borings were completed with hand augers in accord with ASTM D 1452 and supplemented with readings from a dynamic cone penetrometer device per ASTM Special Technical Publication #399.

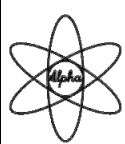
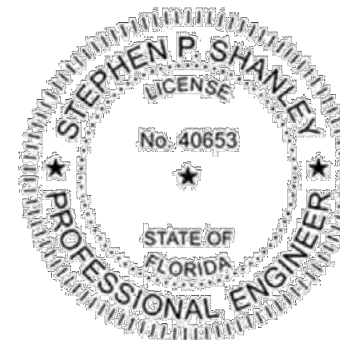
Penetration Resistance and Soil Properties on Basis of Standard Penetration Test ¹

Sands (Fairly Reliable)		Clays (Rather Unreliable)	
Number of Blows per foot, N	Relative Density	Number of Blows per foot, N	Consistency
0-4	Very loose	Below 2	Very soft
4-10	Loose	2-4	Soft
10-30	Medium	4-8	Medium
30-50	Dense	8-15	Stiff
Over 50	Very dense	15-30	Very stiff
		Over 30	Hard

¹- Table 5.3 from Peck, Hanson, Thornburn, *Foundation Engineering*, 2nd Edition, 1973

LEGEND

- N - Standard Penetration Test "N-value". Number of blows from 140-pound hammer to advance sampler last 12" of 18" drive.
- P - Dynamic Cone Penetrometer "P-value". Number of blows from 15-pound rammer to advance cone tip 1.75".
- NM - Natural Moisture Content, %.
- 200 - Finer than # 200 sieve, %.
- OC - Organic Content, %.
- LL - Liquid Limit, %.
- PI - Plastic Index (LL - plastic limit), %.
- (SC) - Unified Soil Classification System, clayey sand (typical).
- || - Steel casing to prevent hole collapse.
- ≡ - Groundwater level, if discernable.



Alpha Geotechnical and Testing Services
 Certificate of Authorization No. 00007967
 4778-A Woodlane Circle
 Tallahassee, FL 32303
 (850) 514-4171 www.alpha-geotech.com

Stephen P. Shanley, PE
 FL #40653
 This item has been digitally signed and sealed by Stephen P. Shanley, PE on the date below. Printed copies of this document are not considered signed and sealed and the signature must be verified on any electronic copies.
 August 9, 2022

Subsurface Exploration for
 Lee Avenue
 Drainage Improvements
 Tallahassee, FL

Figure
 1

ENGINEER OF RECORD
 LANE P. LUCAS
 F.L.P.E. No. 53836
EUTAW, INC.
 2419 Fleischmann Rd, Ste. 1
 Tallahassee, Florida 32308
 FBPE REGISTRY # 9961

ORIGINAL: Dec 02, 2023
 REVISIONS:
 1
 2
 3
 4
 5

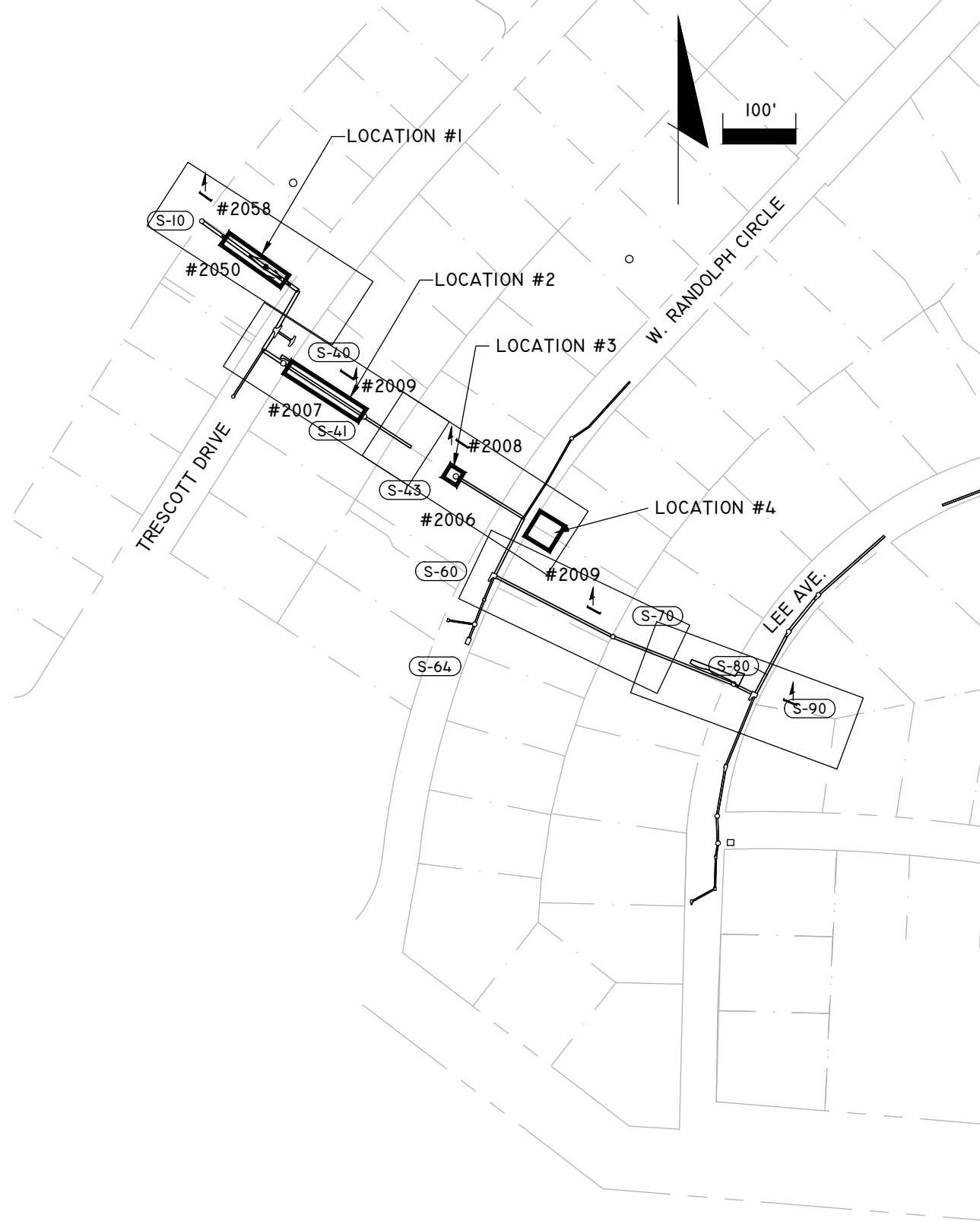
SOIL SURVEY
 LEE AVENUE
 DRAINAGE
 IMPROVEMENT
 PROJECT

EUTAW, INC.
 ENGINEERING-UTILITIES TRANSPORTATION AND WATER
 2419 FLEISCHMANN ROAD, SUITE 1
 TALLAHASSEE, FL 32308
 PHONE: (850) 383-0400
 WWW.EUTAWINC.COM
 FBPE REGISTRY #9961

JOB No. _____
 DRAWN: LPL
 DESIGNED: LPL
 CHECKED: MWH
 QC: LPL

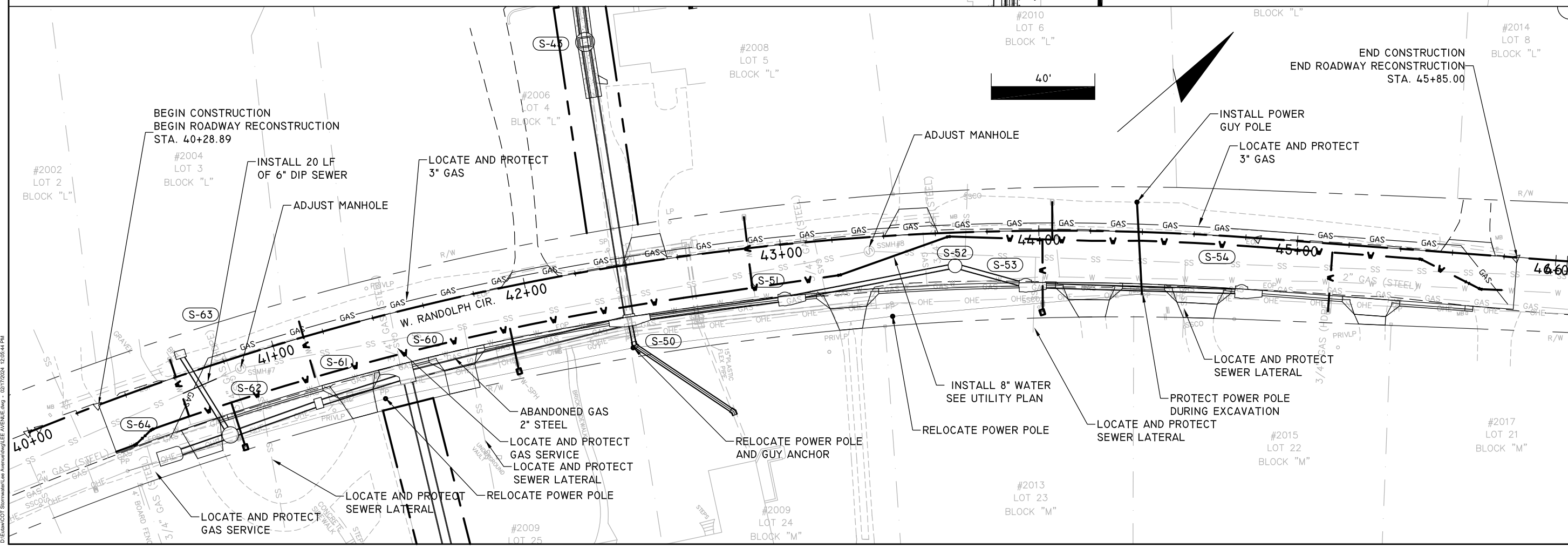
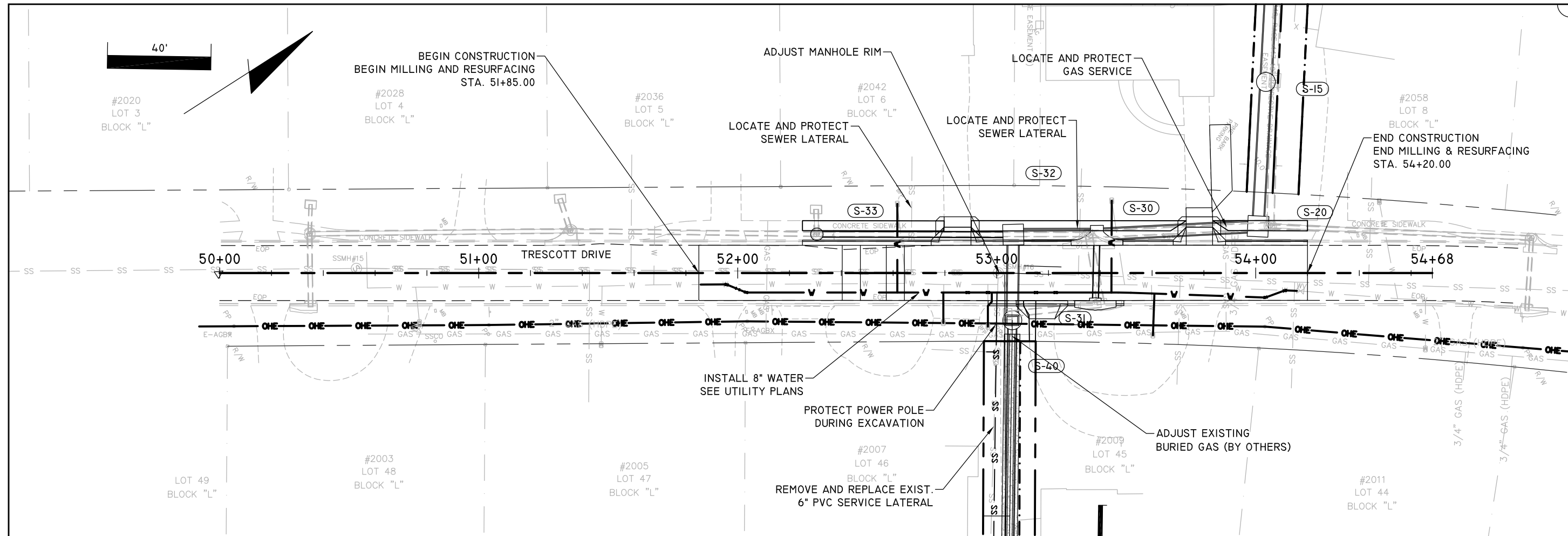
ENGINEERED EXCAVATION SUPPORT SYSTEM (EESS)

1. PRIOR TO CONSTRUCTION, SUBMIT AN ENGINEERED EXCAVATION SUPPORT SYSTEM (EESS) TO RETAIN EARTH PRESSURES, PROVIDE SAFE WORK AREAS, AND PROTECT THE INTEGRITY OF EXISTING RESIDENTIAL STRUCTURES ADJACENT TO THE WORK AREA IN THE DESIGNATED LOCATIONS. THE EESS PLAN WILL BE PREPARED, SIGNED, AND SEALED BY A PROFESSIONAL STRUCTURAL ENGINEER REGISTERED IN THE STATE OF FLORIDA. THE STRUCTURAL ENGINEER WILL HAVE EXPERIENCE IN THE DESIGN AND CONSTRUCTION OF EXCAVATION SUPPORT SYSTEMS. SUBMIT THE STRUCTURAL ENGINEER'S RESUME DEMONSTRATING SUCH EXPERIENCE WITH THE EESS SUBMITTAL.
 - 1.1. PIPE INSTALLATION FROM STATION 10+40 TO STATION 11+40 (BL-CONST OUTFALL).
 - 1.2. PIPE INSTALLATION FROM STATION 13+10 TO STATION 14+20 (BL-CONST OUTFALL).
 - 1.3. JACK AND BORE RECEIVING PIT, STATION 15+50 TO STATION 15+80 (BL-CONST OUTFALL).
 - 1.4. JACK AND BORE BORING PIT, STATION 42+25 TO STATION 42+50 (BL-CONST RANDOLPH).
2. DESIGN, INSTALL, MAINTAIN, AND REMOVE THE EESS IN A MANNER WHICH WILL ALLOW THE SAFE AND EXPEDITIOUS CONSTRUCTION OF THE PROJECT WITHOUT DAMAGE TO, OR MOVEMENT OF, ADJACENT STRUCTURES, UTILITIES, FOUNDATIONS, OR OTHER EXISTING FACILITIES.
3. PROVIDE IN THE EESS AND SECURE APPROVAL FOR A CONTINGENCY PLAN OR ALTERNATIVE PROCEDURES TO BE IMPLEMENTED IN THE EVENT OF AN UNACCEPTABLE PERFORMANCE OF THE SYSTEM.
4. INCLUDE A VIBRATION AND SETTLEMENT MONITORING PLAN IN THE EESS IN ACCORDANCE WITH THE SECTION 108 OF THE FDOT STANDARD SPECIFICATIONS FOR ROAD AND BRIDGE CONSTRUCTION.
5. DESIGN AND CONSTRUCTION PERFORMANCE REQUIREMENTS FOR THE EESS ARE AS FOLLOWS:
 - 5.1. MAXIMUM ALLOWABLE HORIZONTAL DEFLECTION WILL BE THREE (3) INCHES.
 - 5.2. THE EESS SHALL BE INSTALLED WITH THE USE OF NON-VIBRATORY METHODS.
 - 5.3. THE EESS SHALL NOT EXTEND BEYOND EXISTING RIGHTS-OF-WAY OR PERPETUAL DRAINAGE EASEMENTS (PDE).
6. FURNISH ALL TOOLS, EQUIPMENT, DEVICES, APPURTENANCES, AND SERVICES FOR THE DESIGN, SUBMITTAL, INSTALLATION, MAINTENANCE, MONITORING, AND REMOVAL OF THE EESS.
7. PREPARE PRE-CONSTRUCTION SURVEYS FOR EXISTING STRUCTURES AND FACILITIES LOCATED ADJACENT TO THE WORK ZONES WHICH MAY BE AFFECTED BY THE WORK. THE SURVEYS WILL INCLUDE PHOTOGRAPHS, VIDEOS, MAPS, PLANS, WRITTEN DESCRIPTIONS, SURVEY FOUNDATION LEVELS, AND ANY OTHER INFORMATION WHICH MAY BE REQUIRED TO FULLY DOCUMENT PRE-CONSTRUCTION CONDITIONS.
8. MONITOR THE PERFORMANCE OF THE EESS THROUGHOUT CONSTRUCTION FOR CONFORMANCE WITH THE DESIGN AND CONSTRUCTION PERFORMANCE REQUIREMENTS.
9. IMMEDIATELY STOP WORK, NOTIFY CITY INSPECTOR, AND TAKE IMMEDIATE REMEDIAL ACTION IF MOVEMENT OF THE EXISTING STRUCTURE(S) OCCURS DURING PERFORMANCE OF THE WORK. DO NOT RESUME WORK UNTIL IMPLEMENTATION OF APPROVED REMEDIAL MEASURES.
10. UTILIZE ONLY SMALL, "WALK-BEHIND" VIBRATORY COMPACTORS FOR THE BACKFILL WITHIN 25 FEET OF ANY ADJACENT STRUCTURE.
11. FOLLOWING PIPE AND STRUCTURE INSTALLATION, REMOVE THE EESS COMPLETELY IN A MANNER THAT WILL NOT DISTURB OR DAMAGE ADJACENT STRUCTURES, COMPLETED CONSTRUCTION, OR EXISTING UTILITIES.
12. PREPARE POST-CONSTRUCTION SURVEYS FOR STRUCTURES AND FACILITIES LOCATED ADJACENT TO THE WORK ZONES TO DOCUMENT THE POST-CONSTRUCTION CONDITION COMPARED TO THE PRE-CONSTRUCTION SURVEY INFORMATION.
13. REPAIR DAMAGE TO PROPERTIES. RESTORE EXISTING STRUCTURES TO CONDITIONS EQUIVALENT TO THOSE EXISTING PRIOR TO THE START OF THE WORK, INCLUDING REPAIR OF SETTLEMENT-RELATED DAMAGE.
14. A GEOTECHNICAL INVESTIGATION FOR THE PROJECT WAS PERFORMED BY ALPHA GEOTECHNICAL AND TESTING, INC., WHICH IS PROVIDED AS AN ATTACHMENT TO THE CONTRACT DOCUMENTS FOR INFORMATION PURPOSE ONLY.
15. THE COST TO PREPARE, INSTALL, MONITOR, MAINTAIN, AND REMOVE THE EESS WILL BE PAID SEPARATELY UNDER BID ITEM 120-99, ENGINEERED EXCAVATION SUPPORT SYSTEM.



<p>ENGINEER OF RECORD LANE P. LUCAS FL.P.E. No. 53936</p> <p>2419 Fleischmann Rd, Ste. 1 Tallahassee, Florida 32308 FBPE REGISTRY # 9961</p> <p>DATE</p>	<p>REVISIONS</p> <table border="1" style="width: 100%; border-collapse: collapse;"> <tr> <th>NO.</th> <th>DESCRIPTION</th> </tr> <tr> <td> </td> <td> </td> </tr> <tr> <td> </td> <td> </td> </tr> <tr> <td> </td> <td> </td> </tr> <tr> <td> </td> <td> </td> </tr> </table>	NO.	DESCRIPTION								
NO.	DESCRIPTION										
<p>ORIGINAL Dec 02, 2023</p> <p>REVISIONS</p> <table border="1" style="width: 100%; border-collapse: collapse;"> <tr> <td>1</td> <td> </td> </tr> <tr> <td>2</td> <td> </td> </tr> <tr> <td>3</td> <td> </td> </tr> <tr> <td>4</td> <td> </td> </tr> <tr> <td>5</td> <td> </td> </tr> </table>		1		2		3		4		5	
1											
2											
3											
4											
5											
<p>SHEET</p> <p>ENGINEERED EXCAVATION SUPPORT SYSTEM (EESS)</p>											
<p>PROJECT</p> <p>LEE AVENUE DRAINAGE IMPROVEMENT PROJECT</p>											
<p>EUTAW, INC.</p> <p>ENGINEERING-UTILITIES TRANSPORTATION AND WATER</p> <p>2419 FLEISCHMANN ROAD, SUITE 1 TALLAHASSEE, FL 32308</p> <p>PHONE : (850) 383-0400 WWW.EUTAWINC.COM</p> <p>FBPE REGISTRY #9961</p>											
<p>JOB No. _____</p> <p>DRAWN <u> LPL </u></p> <p>DESIGNED <u> LPL </u></p> <p>CHECKED <u> MWH </u></p> <p>QC <u> LPL </u></p>											
<p>SHEET</p> <p>60</p>											

DATE PLOTTED: 12/22/2023 08:47:38 AM



ENGINEER OF RECORD
 LANE P. LUCAS
 F.P.E. No. 53936
EUTAW, INC.
 2419 FLEISCHMANN ROAD
 TALLAHASSEE, FLORIDA 32308
 FPBE REGISTRY # 9961

DATE: FEB. 17, 2024

REVISIONS:

1	
2	
3	
4	
5	

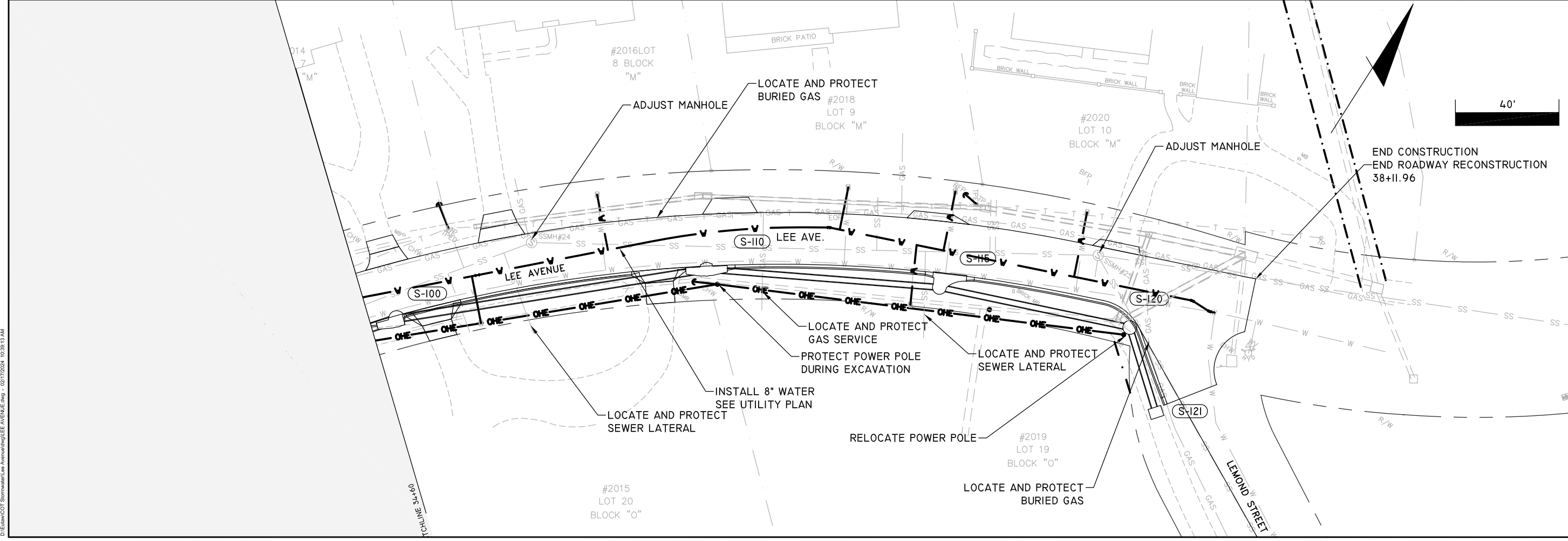
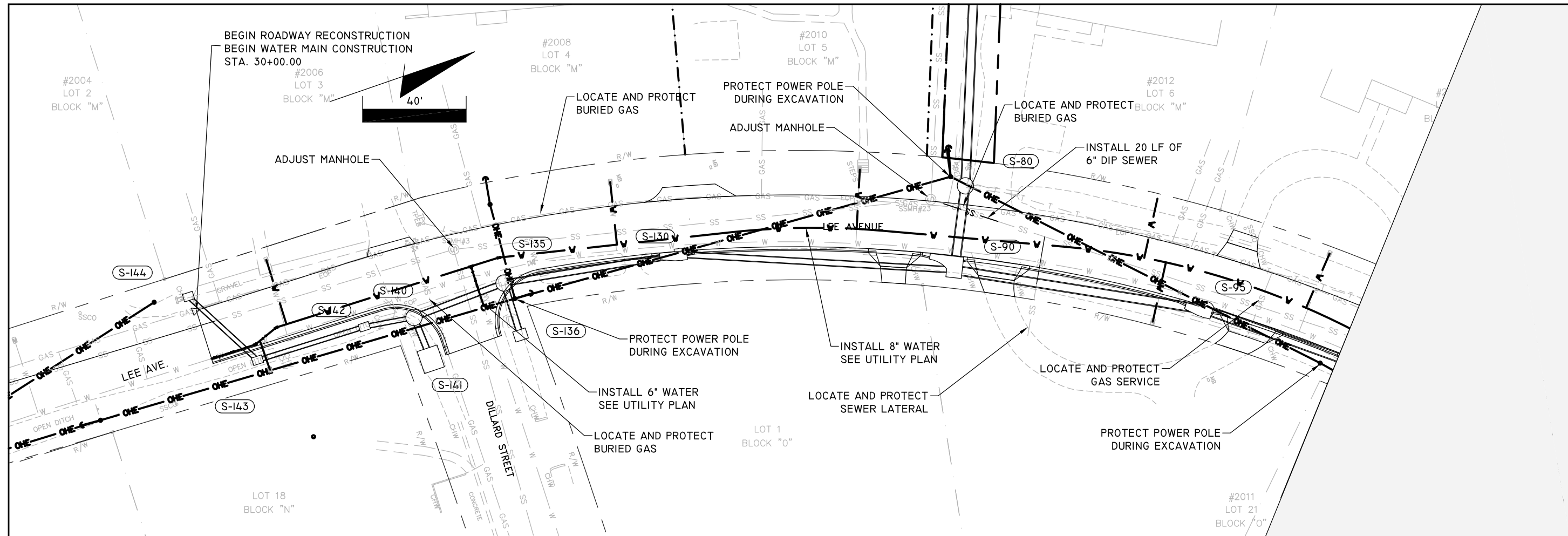
SHEET: UTILITY ADJUSTMENT

PROJECT: LEE AVENUE DRAINAGE IMPROVEMENT PROJECT

ENGINEERING-UTILITIES, TRANSPORTATION, AND WATER
EUTAW, INC.
 2419 FLEISCHMANN ROAD, STE. 1
 TALLAHASSEE, FL 32308
 PHONE: (850) 383-0400
 WWW.EUTAWINC.COM
 FPBE REGISTRY #9961

JOB No. _____
 DRAWN: LPL
 DESIGNED: LPL
 CHECKED: MWH
 QC: LPL

SHEET: 61



DATE PLOTTED: 02/17/2024 10:39:13 AM
 USER: JPL
 PROJECT: LEE AVENUE IMPROVEMENT PROJECT

ENGINEER OF RECORD
 LANE P. LUCAS
 F.L.P.E. No. 53936
EUTAW, INC.
 2419 FLEISCHMANN ROAD
 TALLAHASSEE, FLORIDA 32308
 FBPE REGISTRY # 9961

ORIGINAL: Feb. 17, 2024

NO.	REVISIONS:
1	
2	
3	
4	
5	

SHEET: **UTILITY ADJUSTMENT**

PROJECT: **LEE AVENUE DRAINAGE IMPROVEMENT PROJECT**

EUTAW, INC.
 ENGINEERING-UTILITIES, TRANSPORTATION, AND WATER
 2419 FLEISCHMANN ROAD, STE. 1
 TALLAHASSEE, FL 32308
 PHONE: (850) 383-0400
 WWW.EUTAWINC.COM
 FBPE REGISTRY #9961

JOB No.	
DRAWN	LPL
DESIGNED	LPL
CHECKED	MWH
QC	LPL

SHEET: **62**

I. SITE DESCRIPTION

A. CONSTRUCTION ACTIVITY:

THE PROJECT CONSISTS OF DRAINAGE IMPROVEMENTS IN AN EXISTING RESIDENTIAL NEIGHBORHOOD TO CONTROL RUNOFF FROM EXISTING DEVELOPMENT. THE MAJOR CONSTRUCTION ACTIVITIES WILL INCLUDE INSTALLATION OF DRAINAGE STRUCTURES AND PIPING, ROADWAY RECONSTRUCTION, CURB INSTALLATION, CHANNEL GRADING, UTILITY ADJUSTMENTS, AND PERMANENT EROSION CONTROL FEATURES.

B. MAJOR SOIL DISTURBING ACTIVITIES:

CLEARING AND GRUBBING
 DRAINAGE STRUCTURES AND PIPING (REMOVAL AND INSTALLATION)
 UTILITY INSTALLATION
 ROADWAY RECONSTRUCTION
 CHANNEL CONSTRUCTION

C. AREA ESTIMATES:

TOTAL PROJECT AREA: 2.10 ACRES
 TOTAL AREA TO BE DISTURBED: 1.76 ACRES

D. RUNOFF DATA:

RUNOFF COEFFICIENT (BEFORE CONSTRUCTION): 0.45
 RUNOFF COEFFICIENT (DURING CONSTRUCTION): 0.45
 RUNOFF COEFFICIENT (AFTER CONSTRUCTION): 0.45

OUTFALL LOCATIONS:

THE PROPOSED DRAINAGE SYSTEM WILL DISCHARGE TO THE DRAINAGE CONVEYANCE WEST OF TRECOTT DRIVE. THE SYSTEM OUTFALLS TO A CONCRETE BOX CULVERT WHICH DRAINS NORTH TO MCCORD POND.

OUTFALL TO MCCORD DRAINAGE CONVEYANCE N 30°28'04.84" W 84°15'58.29"
 MCCORD POND N 30°28'21.89" W 84°15'42.52"

2. CONTROLS

SEQUENCE OF SOIL DISTURBING ACTIVITIES AND IMPLEMENTATION OF CONTROLS:

CONTROLS SHALL BE INSTALLED PRIOR TO ANY EARTH CLEARING ACTIVITIES AND MAINTAINED UNTIL PERMANENT EROSION CONTROL FEATURES HAVE BEEN ESTABLISHED.

A. EROSION AND SEDIMENT CONTROLS

(1) STABILIZATION PRACTICES:
 TEMPORARY SODDING
 TEMPORARY GRASSING
 PERMANENT SODDING OR SEEDING

(2) STRUCTURAL PRACTICES:
 SEDIMENT BARRIER
 INLET PROTECTION SYSTEM
 BERMS
 SEDIMENT TRAPS/BASINS

B. STORMWATER MANAGEMENT

NO STORMWATER MANAGEMENT FACILITIES EXIST IN THE PRECONSTRUCTION CONDITION. NO STORMWATER MANAGEMENT FACILITIES WILL BE CONSTRUCTED UNDER THE PROJECT.

C. OTHER CONTROLS

(1) WASTE DISPOSAL:
 THE CONTRACTOR IS RESPONSIBLE FOR DOCUMENTING THIS PORTION OF THE SWPPP.

(2) OFFSITE VEHICLE TRACKING AND GENERATION OF DUST:
 HAUL ROADS DAMPENED FOR DUST CONTROL
 LOADED HAUL TRUCKS TO BE COVERED WITH TARP
 EXCESS DIRT ON ROADWAY REMOVED DAILY

(3) SANITARY OR SEPTIC WASTE:
 ALL SANITARY WASTE WILL BE COLLECTED AS NECESSARY OR AS REQUIRED BY LOCAL REGULATION BY A LICENSED SANITARY WASTE MANAGEMENT CONTRACTOR. THE CONTRACTOR IS RESPONSIBLE FOR DOCUMENTING THIS PORTION OF THE SWPPP.

(4) FERTILIZER:
 FERTILIZER SHALL BE APPLIED ACCORDING TO THE MANUFACTURER'S RECOMMENDATIONS BY A LICENSED OR CERTIFIED APPLICATOR AS DIRECTED BY THE PROJECT ENGINEER.

(5) PESTICIDES:
 THE CONTRACTOR IS RESPONSIBLE FOR DOCUMENTING THIS PORTION OF THE SWPPP.

(6) NON-STORM WATER DISCHARGE INCLUDING SPILL REPORTING:
 NO NON-STORM WATER DISCHARGES ARE ANTICIPATED.

3. PERMITS

PERMITS OBTAINED FOR THIS PROJECT ARE LISTED IN THE PROJECT SPECIFICATIONS.

4. MAINTENANCE

ALL EROSION AND SEDIMENT CONTROLS SHALL BE INSPECTED FOLLOWING EACH RAINFALL EVENT. ANY REQUIRED REPAIRS SHALL BE MADE IMMEDIATELY. SEDIMENT DEPOSITS AT THE CONTROLS SHOULD BE REMOVED AFTER EACH STORM EVENT.

THE CONTRACTOR IS RESPONSIBLE FOR DOCUMENTING THIS PORTION OF THE SWPPP.

5. INSPECTION

ALL CONTROLS SHALL BE INSPECTED WEEKLY BY THE CONTRACTOR AS WELL AS AFTER A STORM EVENT WITH 0.50" OR MORE OF RAIN. AN INSPECTION AND MAINTENANCE REPORT WILL BE MADE PER EACH INSPECTION BASED UPON INSPECTION RESULTS. THE CONTROLS SHALL BE REVISED PER THE INSPECTION RESULTS.

ENGINEER OF RECORD
 LANE P. LUCAS
 53936

EUTAW, INC.
 2419 FLEISCHMANN ROAD
 TALLAHASSEE, FLORIDA 32308
 FBPE REGISTRY # 9961

Dec 02, 2023
 ORIGINAL / REVISIONS

1	
2	
3	
4	
5	

STORMWATER POLLUTION PREVENTION PLAN

SHEET

LEE AVENUE DRAINAGE IMPROVEMENT PROJECT

PROJECT

EUTAW, INC
 ENGINEERING-UTILITIES TRANSPORTATION AND WATER
 2419 FLEISCHMANN ROAD, STE. 1
 TALLAHASSEE, FL 32308
 PHONE : (850) 383-0400
 WWW.EUTAWINC.COM
 FBPE REGISTRY #9961

JOB No.
 DRAWN LPL
 DESIGNED LPL
 CHECKED MWH
 QC LPL

SHEET
63

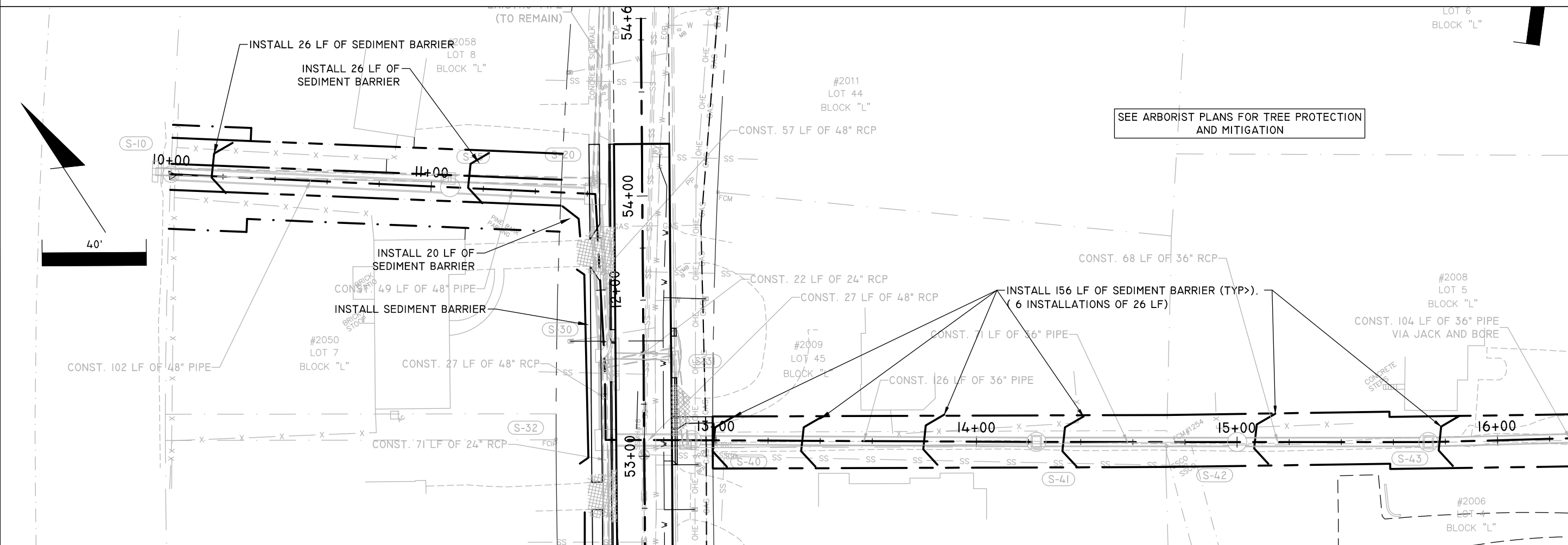
U:\1\100 - TRECOTT Stormwater Use Amendments\SWPPP.dwg - 1/10/2023 10:48:22 AM

GENERAL NOTES - SEDIMENT AND EROSION CONTROL:

- I. THE CONTRACTOR SHALL BE SOLELY RESPONSIBLE FOR THE PREVENTION, CONTROL, AND ABATEMENT OF EROSION, WATER POLLUTION, AND THE TRANSPORTATION OF ERODED MATERIALS OFF SITE.
2. THE CONTRACTOR SHALL PREPARE AND SUBMIT TO THE ENGINEER A SEDIMENT AND EROSION CONTROL PLAN TO ACCOMPANY THE STORMWATER POLLUTION PREVENTION PLAN AND THE SEDIMENT AND EROSION CONTROL PLAN INCLUDED IN THESE PLANS. THE SEDIMENT AND EROSION CONTROL PLAN SHALL BE PREPARED IN ACCORDANCE WITH THE "FLORIDA EROSION AND SEDIMENT CONTROL MANUAL" AND SHALL BE SPECIFIC TO THE MEANS, METHODS, AND SEQUENCE OF CONSTRUCTION TO BE EMPLOYED BY THE CONTRACTOR AND SHALL IDENTIFY THE TYPES AND LOCATIONS OF CONTROLS THAT ARE TO BE IMPLEMENTED DURING EACH PHASE OF CONSTRUCTION AS SHOWN ON THE APPROVED CONSTRUCTION SCHEDULE TO MINIMIZE EROSION, PREVENT THE TRANSFER OF ERODED MATERIALS ONTO ANY OFF SITE PARCEL OR INTO ANY RECEIVING WATER, AND PREVENT VIOLATING STATE AND/OR FEDERAL PERMIT REQUIREMENTS. PAYMENT FOR PREPARING AND SUBMITTING THE SEDIMENT AND EROSION CONTROL PLAN AND FOR ANY MODIFICATIONS TO THE SEDIMENT AND EROSION CONTROL PLAN DURING CONSTRUCTION WILL BE INCLUDED IN THE PAY ITEM FOR MOBILIZATION. THE SEDIMENT AND EROSION CONTROL PLAN SHALL DESCRIBE BUT NOT BE LIMITED TO THE FOLLOWING ITEMS FOR EACH PHASE OF CONSTRUCTION OPERATIONS OR ACTIVITIES:
 - A. TYPES AND LOCATIONS OF ALL EROSION CONTROL DEVICES
 - B. ESTIMATED TIME EROSION CONTROL DEVICES WILL BE IN OPERATION
 - C. METHODS FOR CONTAINMENT OR REMOVAL OF ERODED MATERIALS FROM DISCHARGES RELATED TO DEWATERING OPERATIONS
 - D. METHODS FOR CONTAINMENT OR REMOVAL OF POLLUTANTS OR HAZARDOUS WASTES
 - E. METHODS FOR MAINTENANCE OF EROSION CONTROL DEVICES
 - F. SCHEDULES FOR MONITORING AND MAINTAINING EROSION CONTROL DEVICES
 - G. NAME AND PHONE NUMBERS OF PERSON RESPONSIBLE FOR MONITORING AND MAINTAINING EROSION CONTROL DEVICES
3. NO CONSTRUCTION ACTIVITIES SHALL BEGIN UNTIL THE SEDIMENT AND EROSION CONTROL PLAN HAS RECEIVED WRITTEN APPROVAL FROM THE ENGINEER.

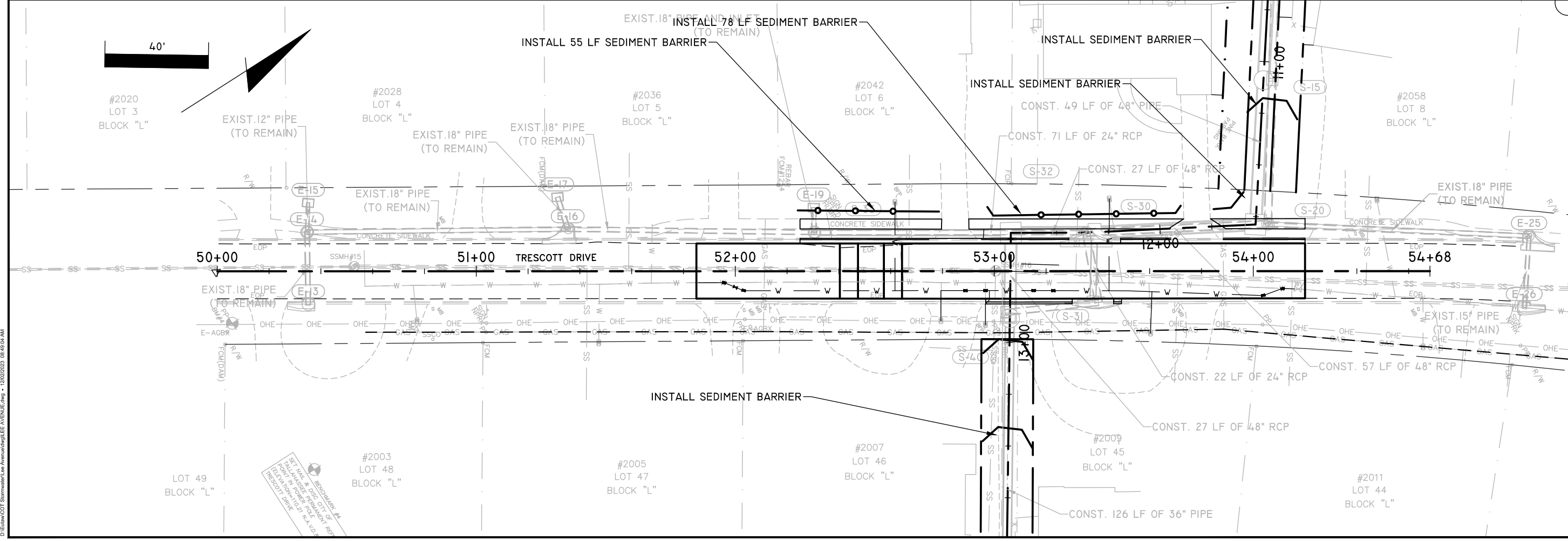
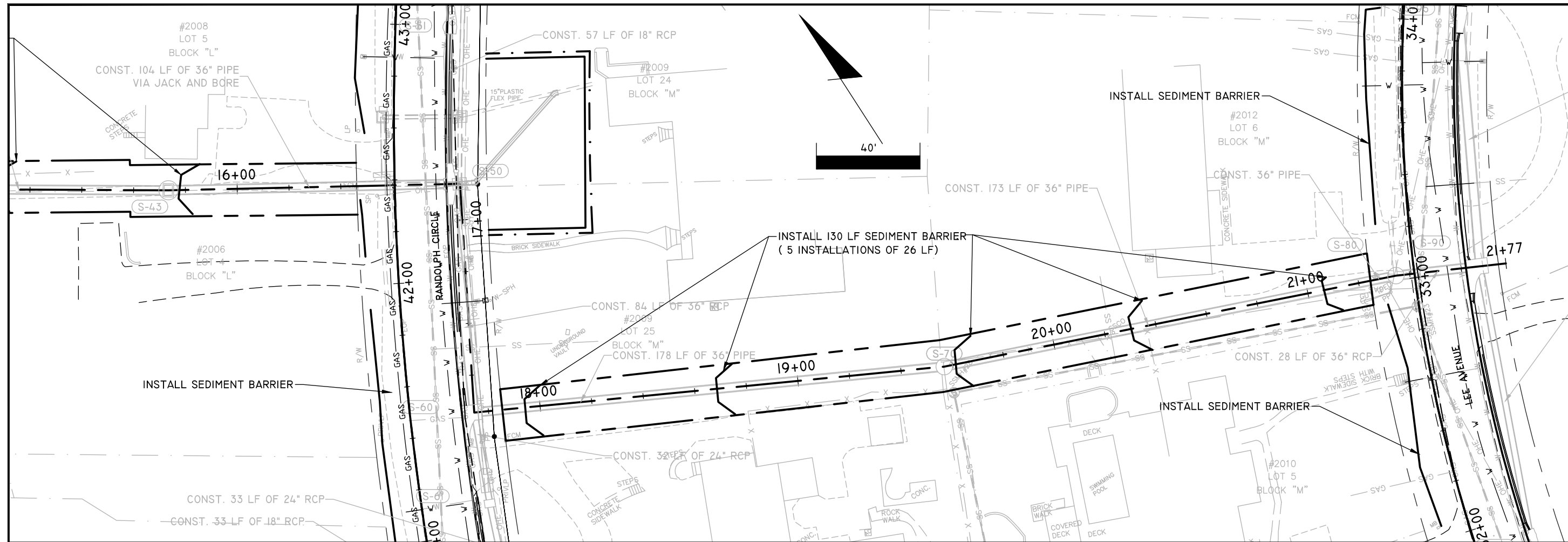
4. THE CONTRACTOR SHALL UPDATE THE SEDIMENT AND EROSION CONTROL PLAN WHENEVER THERE IS A CHANGE IN CONSTRUCTION SEQUENCE OR ACTIVITIES THAT HAS A SIGNIFICANT EFFECT ON THE POTENTIAL FOR THE DISCHARGE OF POLLUTANTS OFF SITE OR INTO ANY RECEIVING WATER AND SHALL SUBMIT THE UPDATED PLAN FOR REVIEW AND APPROVAL BY THE ENGINEER.
5. EROSION AND SEDIMENT CONTROLS SHALL BE PLACED PRIOR TO OR AS THE FIRST STEP IN CONSTRUCTION AND SHALL BE IN PLACE BEFORE DISTURBING SOIL UPSTREAM OF THE CONTROL.
6. FIELD CONDITIONS MAY REQUIRE THE USE OF ADDITIONAL TYPES AND QUANTITIES OF SEDIMENT AND EROSION CONTROL DEVICES DURING CONSTRUCTION AS DETERMINED BY THE CONTRACTOR, THE ENVIRONMENTAL INSPECTOR, OR THE ENGINEER.
7. THE CONTRACTOR SHALL INSPECT ALL SEDIMENT AND EROSION CONTROL DEVICES PRIOR TO SUSPENSION OF WORK ACTIVITIES EACH DAY, IMMEDIATELY AFTER EACH RAINFALL, AND AT LEAST DAILY DURING PROLONGED RAINFALL TO ENSURE THAT THE DEVICES ARE PROPERLY LOCATED AND MAINTAINED FOR EFFECTIVENESS. ANY REQUIRED REMEDIAL ACTION SHALL BE PERFORMED IMMEDIATELY.
8. SEDIMENT TRAPPED BY THE EROSION CONTROL DEVICES IS TO BE REMOVED BY THE CONTRACTOR AFTER EACH RAIN STORM.
9. THE AMOUNT OF AREA DISTURBED AT ONE TIME SHALL BE LIMITED TO THE MINIMUM NECESSARY TO ADEQUATELY IMPLEMENT THE WORK. CONSTRUCTION OPERATIONS SHALL BE CONTROLLED TO MINIMIZE UNPROTECTED AREAS EXPOSED TO WEATHER, AND AREAS OUTSIDE THE LIMITS OF CONSTRUCTION SHALL NOT BE DISTURBED.
10. EXCAVATED MATERIAL SHALL NOT BE DEPOSITED IN LOCATIONS WHERE IT COULD BE WASHED AWAY BY HIGH WATER OR BY STORMWATER RUNOFF, AND STOCKPILES SHALL BE COVERED OR ENCIRCLED WITH SEDIMENT CONTAINMENT DEVICES.
- II. DURING THE INSTALLATION OF STORM DRAIN OR UTILITY PIPING, SYNTHETIC BALE BARRIERS SHALL BE PLACED BELOW THE WORK ZONES TO AID IN CONTROLLING THE TRANSFER OF ERODED MATERIAL OFF SITE.

12. NEW AND EXISTING DRAINAGE STRUCTURES SHALL BE PROTECTED FROM SILTATION DURING CONSTRUCTION. BARRIERS SHALL BE PLACED AROUND ALL INCOMPLETE STORMWATER INLETS AND MANHOLES DURING CONSTRUCTION. CURB INLET FILTERS SHALL BE PLACED ACROSS THE THROATS OF ALL EXISTING AND COMPLETED CURB INLETS.
13. EXISTING FLOW CAPACITY SHALL BE MAINTAINED IN THE DRAINAGE SYSTEMS TO CONVEY RUNOFF FROM RAIN STORMS THAT OCCUR DURING CONSTRUCTION. EXISTING DRAINAGE PIPES THAT ARE NOTED TO BE PLUGGED OR REMOVED SHALL REMAIN IN SERVICE UNTIL FLOWS CAN BE DIVERTED TO THE NEW DRAINAGE SYSTEM. WHERE NEW PIPES ARE TO BE INSTALLED IN CLOSE PROXIMITY TO EXISTING PIPES THAT ARE TO BE REMOVED, PROVISIONS SHALL BE MADE TO DIVERT FLOWS FROM THE EXISTING PIPES TO THE NEW PIPES PRIOR TO RAIN STORMS. TEMPORARY PIPES SHALL BE PLACED FOR THIS PURPOSE PRIOR TO SUSPENSION OF WORK ACTIVITIES EACH DAY.
14. STABILIZATION MEASURES SHALL BE INITIATED FOR EROSION AND SEDIMENT CONTROL ON DISTURBED AREAS AS SOON AS PRACTICABLE, BUT IN NO CASE MORE THAN 14 DAYS AFTER CONSTRUCTION ACTIVITY IN THOSE PORTIONS OF THE SITE HAS TEMPORARILY OR PERMANENTLY CEASED.
15. PERMANENT SOIL EROSION CONTROL MEASURES FOR ALL DISTURBED LAND AREAS SHALL BE COMPLETED IMMEDIATELY AFTER FINAL GRADING. WHEN IT IS NOT POSSIBLE TO PERMANENTLY PROTECT A DISTURBED AREA IMMEDIATELY AFTER GRADING OPERATIONS, TEMPORARY EROSION CONTROL MEASURES SHALL BE INSTALLED. ALL TEMPORARY EROSION CONTROL DEVICES SHALL BE MAINTAINED UNTIL PERMANENT MEASURES ARE IN PLACE AND ESTABLISHED.
16. THE CONTRACTOR SHALL OBTAIN AN ENVIRONMENTAL MANAGEMENT PERMIT FROM THE CITY OF TALLAHASSEE GROWTH MANAGEMENT DEPARTMENT FOR ALL STOCKPILE AND CONSTRUCTION STAGING AREAS LOCATED OUTSIDE THE LIMITS OF CONSTRUCTION.



<p>ENGINEER OF RECORD LANE P. LUCAS FL P.E. No. 53936</p> <p>2419-Fleischmann Road Tallahassee, Florida 32308 FBPE REGISTRY # 9961</p>	<p>Dec 02, 2023</p> <p>REVISIONS</p> <table border="1" style="width: 100%; border-collapse: collapse;"> <tr><td>1</td><td></td></tr> <tr><td>2</td><td></td></tr> <tr><td>3</td><td></td></tr> <tr><td>4</td><td></td></tr> <tr><td>5</td><td></td></tr> </table>	1		2		3		4		5		<p>EROSION CONTROL PLAN</p>
1												
2												
3												
4												
5												
<p>LEE AVENUE DRAINAGE IMPROVEMENT PROJECT</p>												
<p>EUTAW, INC. ENGINEERING-UTILITIES TRANSPORTATION AND WATER</p> <p>2419 FLEISCHMANN ROAD, STE. 1 TALLAHASSEE, FL 32308 PHONE: (850) 383-9400 WWW.EUTAWINC.COM</p>												
<p>JOB No. DRAWN DESIGNED CHECKED QC</p>	<p>LPL LPL MWH LPL</p>	<p>SHEET 64</p>										

U:\1\100\1001\Stormwater\Lee Avenue\Lee Avenue.dwg - 12/02/2023 08:48:51 AM



ENGINEER OF RECORD
 LANE P. LUCAS, P.E.
 F.P.E. No. 53936

REVISIONS

1	
2	
3	
4	
5	

PROJECT
LEE AVENUE DRAINAGE IMPROVEMENT PROJECT

ENGINEERING UTILITIES TRANSPORTATION AND WATER
EUTAW, INC.
 2419 FLEISCHMANN ROAD, STE. 1
 TALLAHASSEE, FL 32308
 PHONE: (850) 383-9400
 WWW.EUTAWINC.COM

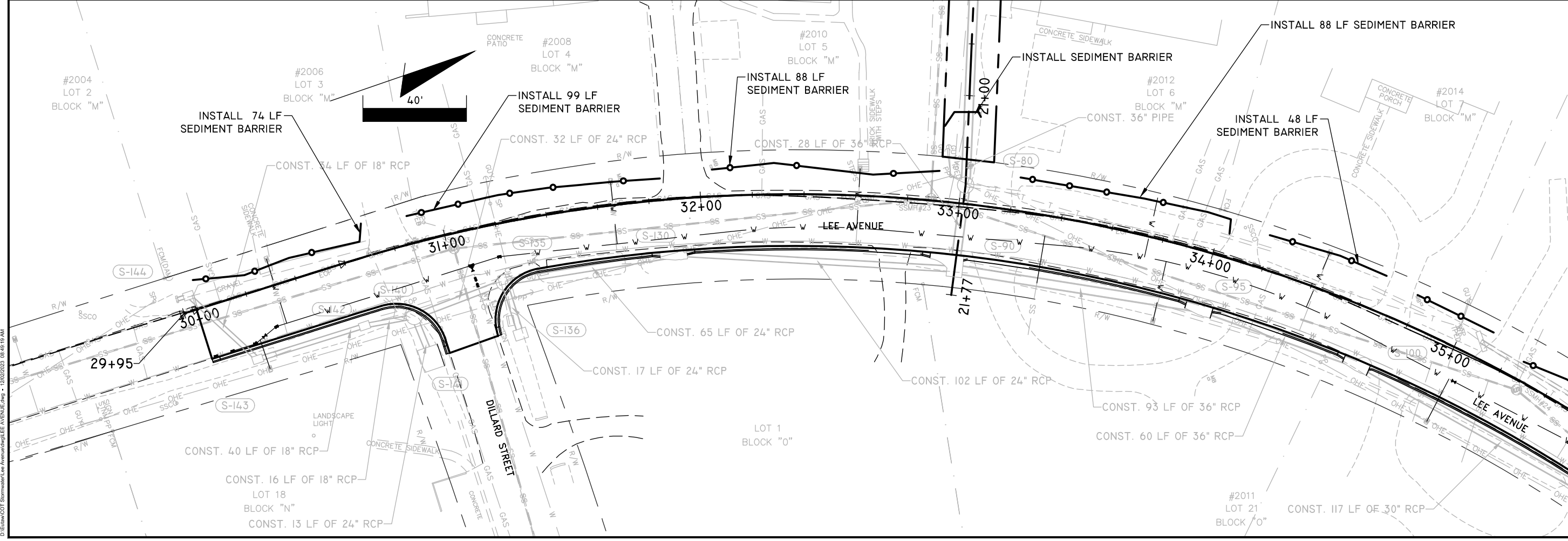
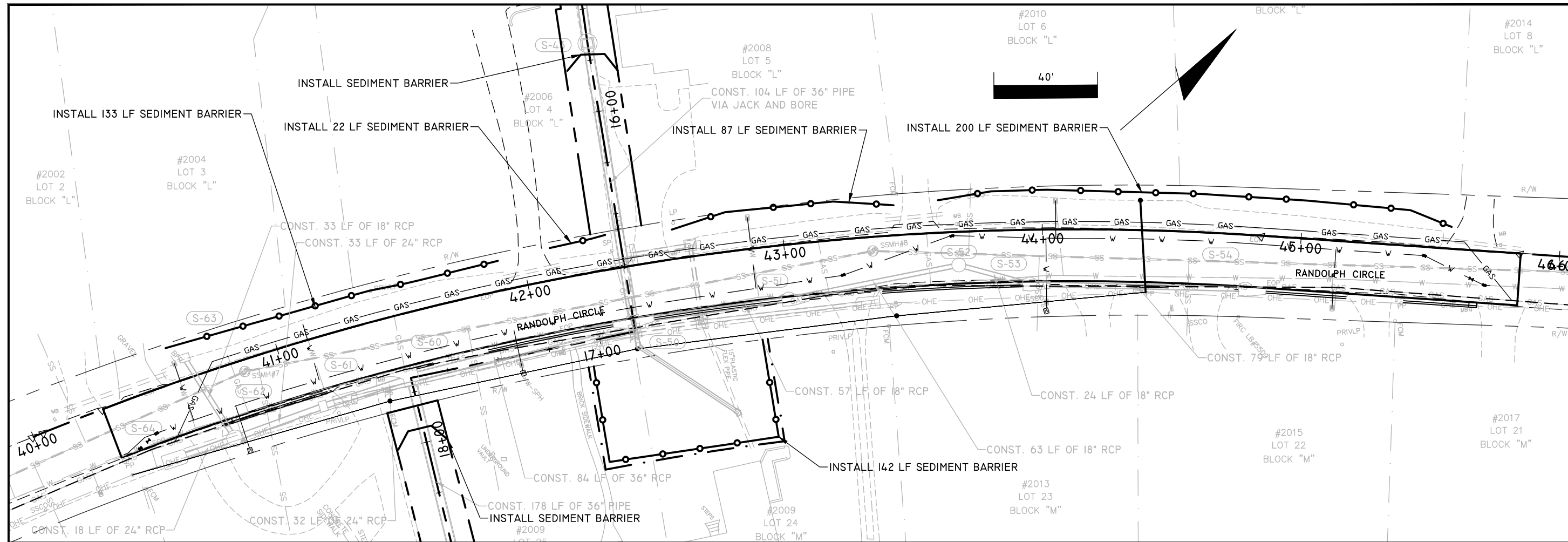
JOB No.
DRAWN LPL
DESIGNED LPL
CHECKED MWH
QC LPL

DATE
 Dec 02, 2023

SHEET
EROSION CONTROL PLAN
 65

FPBE REGISTRY #9961

DATE PLOTTED: 12/02/2023 08:49:04 AM
 D:\BIDDING\2023\Lee Avenue\Lee Avenue.dwg



ENGINEER OF RECORD
 LANE P. LUCAS, P.E.
 F.L.P.E. No. 53936
EUTAW, INC.
 2419-Fleischmann Road
 Tallahassee, Florida 32308
 FBPE REGISTRY # 9961

Dec 02, 2023

NO.	REVISIONS
1	
2	
3	
4	
5	

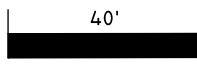
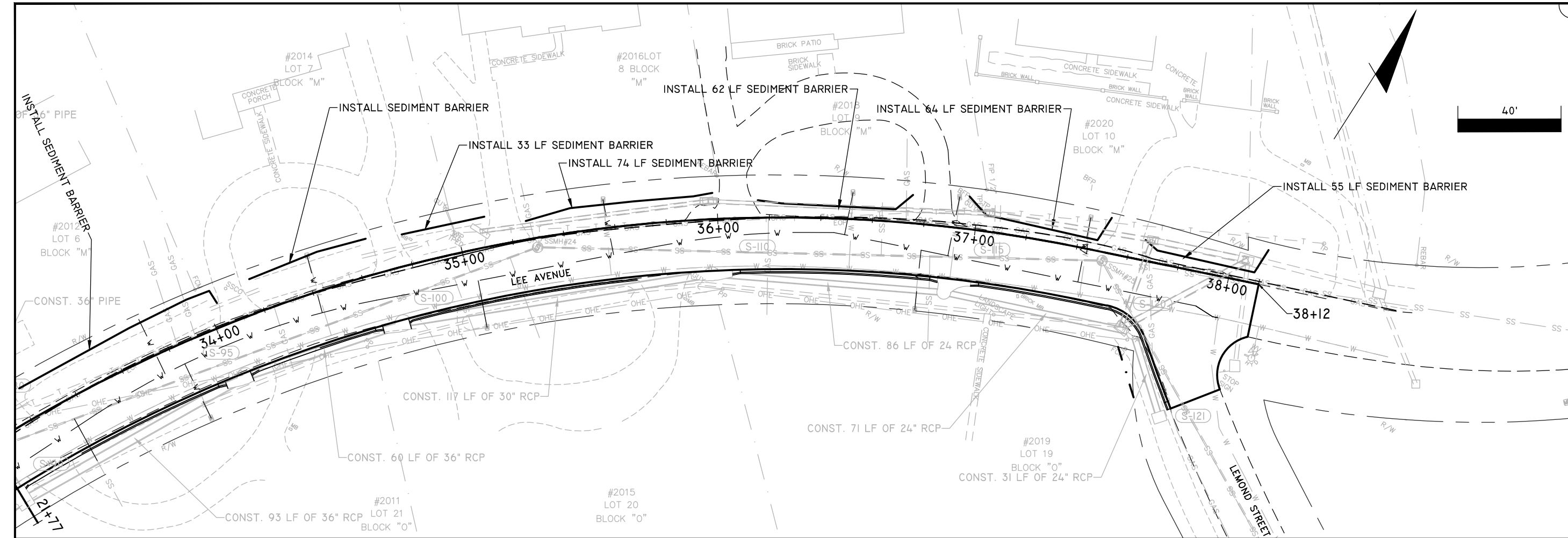
EROSION CONTROL PLAN

LEE AVENUE DRAINAGE IMPROVEMENT PROJECT

EUTAW, INC.
 ENGINEERING-UTILITIES TRANSPORTATION AND WATER
 2419 FLEISCHMANN ROAD, STE. 1
 TALLAHASSEE, FL 32308
 PHONE : (850) 383-9400
 WWW.EUTAWINC.COM
 FBPE REGISTRY # 9961

JOB No.	
DRAWN	LPL
DESIGNED	LPL
CHECKED	MWH
QC	LPL
SHEET	66

DATE PLOTTED: 12/02/2023 08:49:19 AM
 D:\EUTAW\2023\Lee Avenue\Lee Avenue.dwg - 12/02/2023 08:49:19 AM



ENGINEER OF RECORD
 LANE P. LUCAS, P.E.
 F.L.P.E. No. 53936
EUTAW, INC.
 2419 FLEISCHMANN ROAD
 TALLAHASSEE, FLORIDA 32308
 FBPE REGISTRY # 9961

ORIGINAL Dec 02, 2023

NO.	REVISIONS
1	
2	
3	
4	
5	

EROSION CONTROL PLAN

LEE AVENUE DRAINAGE IMPROVEMENT PROJECT

EUTAW, INC.
 ENGINEERING-UTILITIES TRANSPORTATION AND WATER
 2419 FLEISCHMANN ROAD, STE. 1
 TALLAHASSEE, FL 32308
 PHONE : (850) 383-9400
 WWW.EUTAWINC.COM
 FBPE REGISTRY #9961

JOB No.	
DRAWN	LPL
DESIGNED	LPL
CHECKED	MWH
QC	LPL

SHEET **67**

DATE PLOTTED: 12/02/2023 08:49:33 AM
 D:\EUTAW\PROJECTS\Stormwater\Lee Avenue\DWG\LEE AVENUE.dwg

MAINTENANCE OF TRAFFIC NOTES

1. THE CONTRACTOR SHALL PREPARE A TRAFFIC CONTROL PLAN THAT DESCRIBES THE MEASURES TO BE EMPLOYED DURING CONSTRUCTION TO WARN MOTORISTS AND PEDESTRIANS OF HAZARDS, TO ADVISE MOTORISTS OF THE PROPER TRAVEL PATH THROUGH OR AROUND THE WORK AREA, TO DELINEATE AREAS WHERE TRAFFIC SHOULD NOT OPERATE, AND TO SEPARATE AND PROTECT MOTORISTS, PEDESTRIANS, AND THE WORK FORCE DURING ALL PHASES OF THE WORK. THE PLAN SHALL ALSO CONSIDER ACCESS TO BUSINESSES WITHIN THE CONSTRUCTION AREA AND PROVIDE BUSINESS ENTRANCE SIGNS TO ROUTE MOTORISTS TO DESIGNATED PARKING AREAS. THE CONTRACTOR SHALL OBTAIN APPROVAL OF THE TRAFFIC CONTROL PLAN FROM THE CITY OF TALLAHASSEE TRAFFIC ENGINEERING DIVISION PRIOR TO BEGINNING CONSTRUCTION. PAYMENT FOR PREPARING AND SUBMITTING THE TRAFFIC CONTROL PLAN SHALL BE INCLUDED IN THE PAY ITEM FOR MAINTENANCE OF TRAFFIC (102-1).
2. THE TRAFFIC CONTROL PLAN SHALL MAKE PROVISIONS FOR REROUTING OF THROUGH (NON-LOCAL) TRAFFIC AND ALSO MAKE PROVISIONS FOR LOCAL TRAFFIC. THE SUGGESTED TRAFFIC CONTROL PLAN SHOWN HEREIN INCLUDES A SUGGESTED OVERALL TRAFFIC REDIRECTION PLAN AND SUGGESTIONS FOR ALTERNATE LOCAL ROUTES.
3. ACCESS TO BUSINESS AND RESIDENTIAL DRIVEWAYS SHALL BE MAINTAINED AT ALL TIMES.
4. NO ROADWAYS (INCLUDING COUNTY ROADS) SHALL BE CLOSED WITHOUT PRIOR APPROVAL OF THE CITY OF TALLAHASSEE TRAFFIC ENGINEERING DIVISION.
5. ALL TRAFFIC CONTROL DEVICES SHALL BE INSTALLED IN ACCORDANCE WITH THE MANUAL ON UNIFORM TRAFFIC CONTROL DEVICES AND/OR THE FLORIDA DEPARTMENT OF TRANSPORTATION STANDARD PLANS, 102-600 SERIES.
6. ALL TRAFFIC CONTROL DEVICES SHALL BE IN PLACE BEFORE THE START OF CONSTRUCTION ON AFFECTED ROADWAYS.
7. TRAFFIC CONTROL NOTES THAT ARE SPECIFIC TO EACH PHASE ARE INCLUDED ON THE PHASE DETAIL SHEETS.

SUGGESTED CONSTRUCTION SEQUENCE

THE FOLLOWING SEQUENCE IS RECOMMENDED FOR THE CONSTRUCTION OF THE PROPOSED IMPROVEMENTS:

1. INSTALL EROSION CONTROL FEATURES
2. CLEARING AND GRUBBING
3. UTILITY INSTALLATION AND ADJUSTMENTS
4. STORM SEWER INSTALLATION
5. CURB CONSTRUCTION
6. OPTIONAL BASE CONSTRUCTION
8. SIDEWALK CONSTRUCTION
9. DRIVEWAY CONSTRUCTION
10. PERMANENT EROSION CONTROL
11. PAVEMENT INSTALLATION
12. SIGNING AND PAVEMENT MARKINGS

ROADWAY SEGMENTS UNDER CONSTRUCTION MAY BE CLOSED TO THROUGH TRAFFIC. SEGMENTS SHALL BE LIMITED TO LENGTHS THAT CAN BE DETOURED THROUGH EXISTING PUBLIC STREETS. ALL DETOUR ROUTES AND ADVANCED SIGNING SHALL BE IN ACCORDANCE WITH FDOT STANDARD PLANS (102-600 SERIES) AND THE MUTCD. THE SUGGESTED PHASING OF WORK IS:

PHASE 1 - OUTFALL TO MCCORD DITCH, TRESKOTT DRIVE - STORM DRAIN CONSTRUCTION, UTILITY INSTALLATION, UTILITY RELOCATION, CURB INSTALLATION, ROADWAY RECONSTRUCTION/RESURFACING, AND SIDEWALK/DRIVEWAY IMPROVEMENTS.

PHASE 2 - IMPROVEMENTS BETWEEN TRESKOTT DRIVE WEST RANDOLPH AND IMPROVEMENTS ALONG WEST RANDOLPH - STORM DRAIN CONSTRUCTION, UTILITY INSTALLATION, UTILITY RELOCATION, CURB INSTALLATION, ROADWAY RECONSTRUCTION, AND DRIVEWAY IMPROVEMENTS.

PHASE 3 - IMPROVEMENTS BETWEEN WEST RANDOLPH AND LEE AVENUE AND ALONG LEE AVENUE - STORM DRAIN CONSTRUCTION, UTILITY INSTALLATION, UTILITY RELOCATION, CURB INSTALLATION, ROADWAY RECONSTRUCTION, AND DRIVEWAY IMPROVEMENTS.

PHASE 4 - TRESKOTT, WEST RANDOLPH, AND LEE AVENUE - FINAL ASPHALT SURFACE AND PAVEMENT MARKINGS. FINAL MILLING / RESURFACING MAY BE CONDUCTED WHILE MAINTAINING ONE LANE OF TRAFFIC IN EACH WORK AREA. TRAFFIC CONTROL SHALL BE IN ACCORDANCE WITH FDOT STANADARD PLANS 102-603.

ORIGINAL
REVISED
DATE

1	Dec 02, 2023
2	
3	
4	
5	

ENGINEER OF RECORD
LANE P LUCAS
F.L.P.E. No. 53836
EUTAW, INC.
2419 Fleischmann Rd, Ste. 1
Tallahassee, Florida 32308
FBPE REGISTRY # 9961

TEMPORARY TRAFFIC CONTROL PLAN

LEE AVENUE DRAINAGE IMPROVEMENT PROJECT

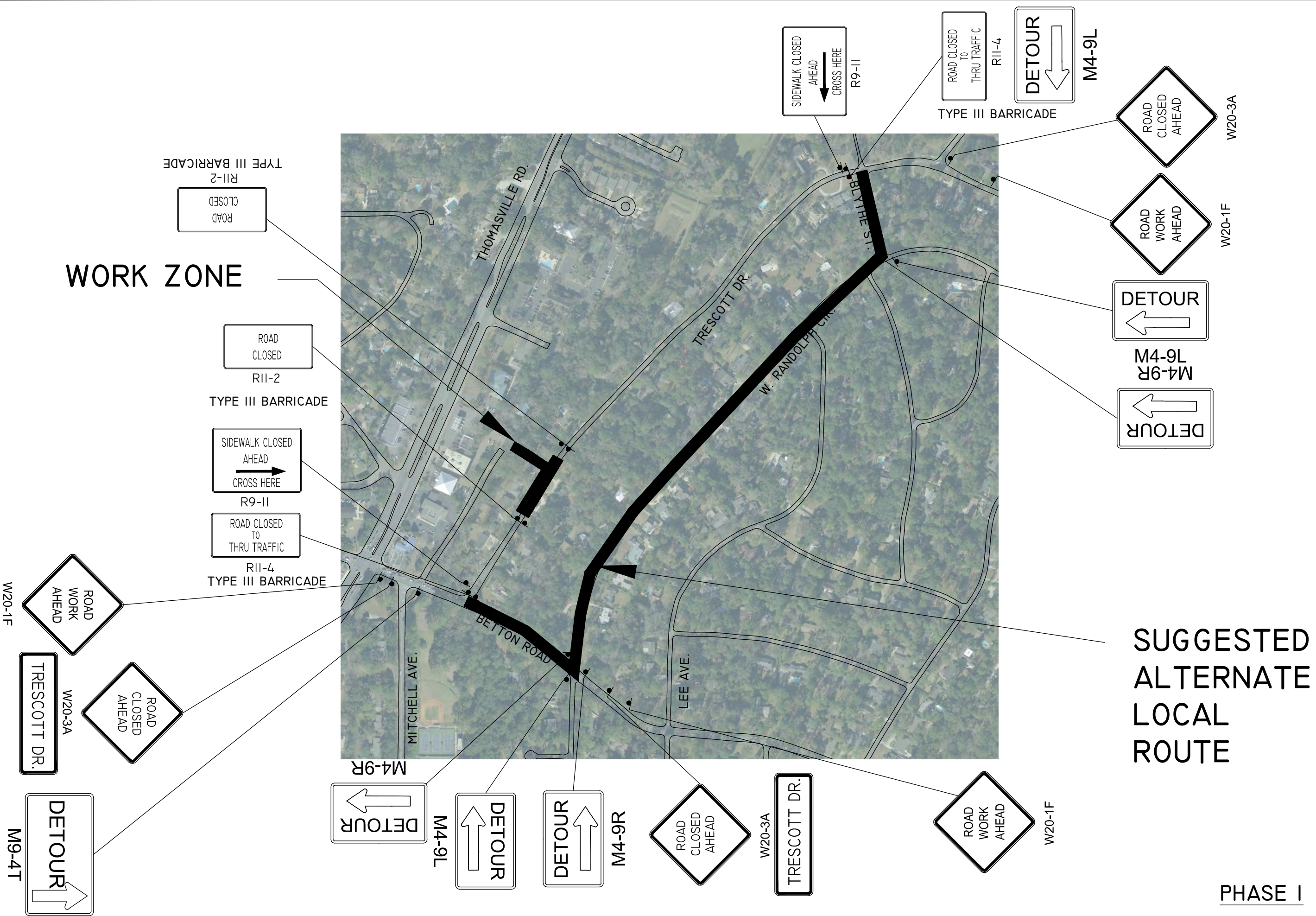
EUTAW, INC.
ENGINEERING-UTILITIES, TRANSPORTATION, AND WATER
2419 FLEISCHMANN ROAD, SUITE 1
TALLAHASSEE, FL 32308
PHONE: (850) 383-9400
WWW.EUTAWINC.COM
FBPE REGISTRY #9961

JOB No. _____
DRAWN _____ LPL
DESIGNED _____ LPL
CHECKED _____ MWH
QC _____ LPL

SHEET **68**

U:\18\1802\DOT Stormwater Lee Avenue\DWG\MOT.dwg - 12/02/2023 08:55:49 AM

DATE: 12/02/2023 08:51:33 AM
DRAWN BY: Stormwater/lan.lucas@euta.com



WORK ZONE

SUGGESTED ALTERNATE LOCAL ROUTE

TYPE III BARRICADE
R11-2
ROAD CLOSED

R11-2
TYPE III BARRICADE
ROAD CLOSED

R9-II
SIDEWALK CLOSED AHEAD
CROSS HERE

R11-4
TYPE III BARRICADE
ROAD CLOSED TO THRU TRAFFIC

R9-II
SIDEWALK CLOSED AHEAD
CROSS HERE

R11-4
ROAD CLOSED TO THRU TRAFFIC

M4-9L
DETOUR

W20-3A
ROAD CLOSED AHEAD

W20-1F
ROAD WORK AHEAD

M4-9R
M4-9L
DETOUR

DETOUR

W20-1F
ROAD WORK AHEAD

W20-3A
ROAD CLOSED AHEAD
TRESCOTT DR.

M9-4T
DETOUR

M4-9R
DETOUR

M4-9L
DETOUR

M4-9R
DETOUR

W20-3A
ROAD CLOSED AHEAD

TRESCOTT DR.

W20-1F
ROAD WORK AHEAD

ENGINEER OF RECORD LANE P. LUCAS F.L.P.E. No. 538036 EUTAW, INC. 2419 Fleischmann Rd., Ste. 1 Tallahassee, Florida 32308 FBPE REGISTRY # 8961	
ORIGINAL / REV 1 / S / 0 / N / S / /	Dec 02, 2023
TEMPORARY TRAFFIC CONTROL PLAN	
PROJECT LEE AVENUE DRAINAGE IMPROVEMENT PROJECT	
EUTAW, INC. ENGINEERING-UTILITIES, TRANSPORTATION, AND WATER 2419 FLEISCHMANN ROAD, SUITE 1 TALLAHASSEE, FL 32308 PHONE : (850) 383-0400 WWW.EUTAWINC.COM FBPE REGISTRY #9961	
JOB No. DRAWN LPL DESIGNED LPL CHECKED MWH QC LPL	PHASE I
SHEET 69	

DATE: 12/02/2023 08:51:14 AM
D:\BROWNST\Stormwater\Lee Avenue\DWG\T01.dwg

WORK ZONE

ROAD CLOSED
R11-2
TYPE III BARRICADE

ROAD CLOSED TO THRU TRAFFIC
R11-4

DETOUR
M4-9R
TYPE III BARRICADE

W20-1F
ROAD WORK AHEAD

W20-3A
ROAD CLOSED AHEAD

DETOUR
M9-4T



DETOUR
M4-9R

DETOUR
M4-9L

DETOUR
M4-9R

DETOUR
M4-9L

ROAD CLOSED AHEAD
W20-3A

W. RANDOLPH

ROAD CLOSED
R11-2
TYPE III BARRICADE

ROAD CLOSED TO THRU TRAFFIC
R11-4

DETOUR
M4-9L

TYPE III BARRICADE

ROAD CLOSED AHEAD
W20-3A

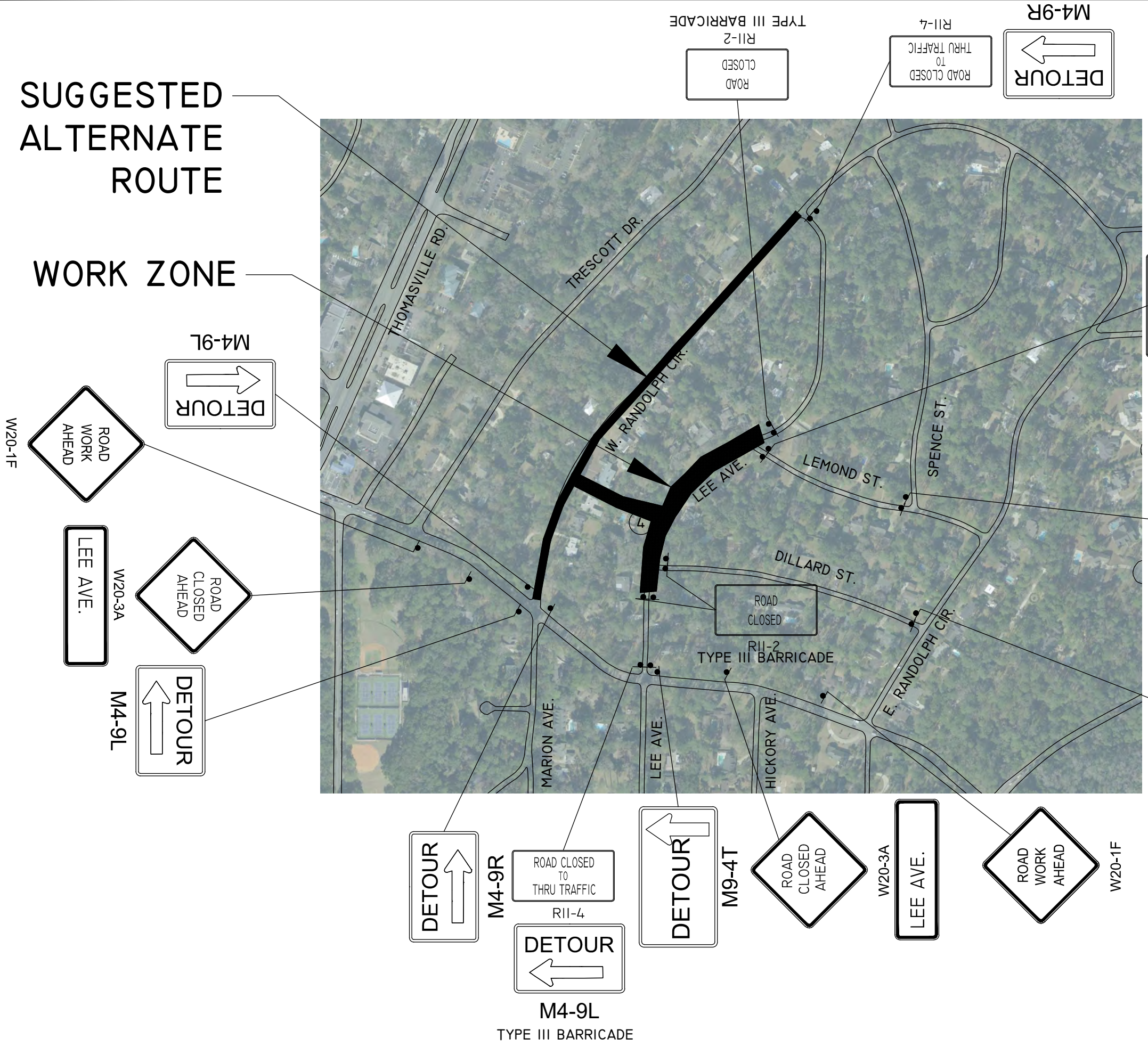
ROAD WORK AHEAD
W20-1F

SUGGESTED ALTERNATE LOCAL ROUTE

PHASE 2

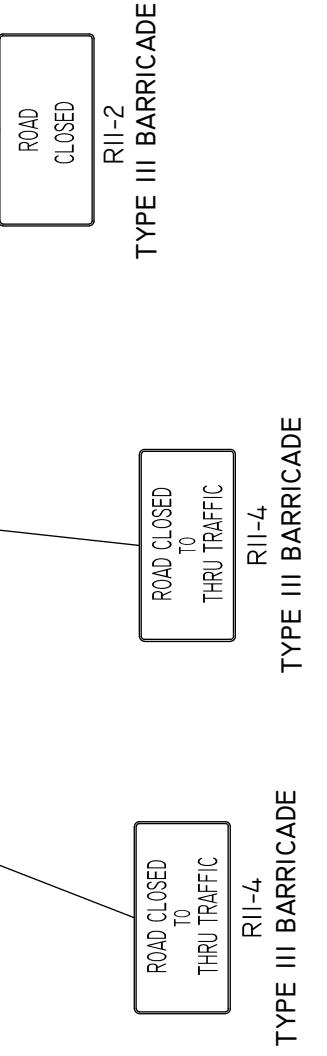
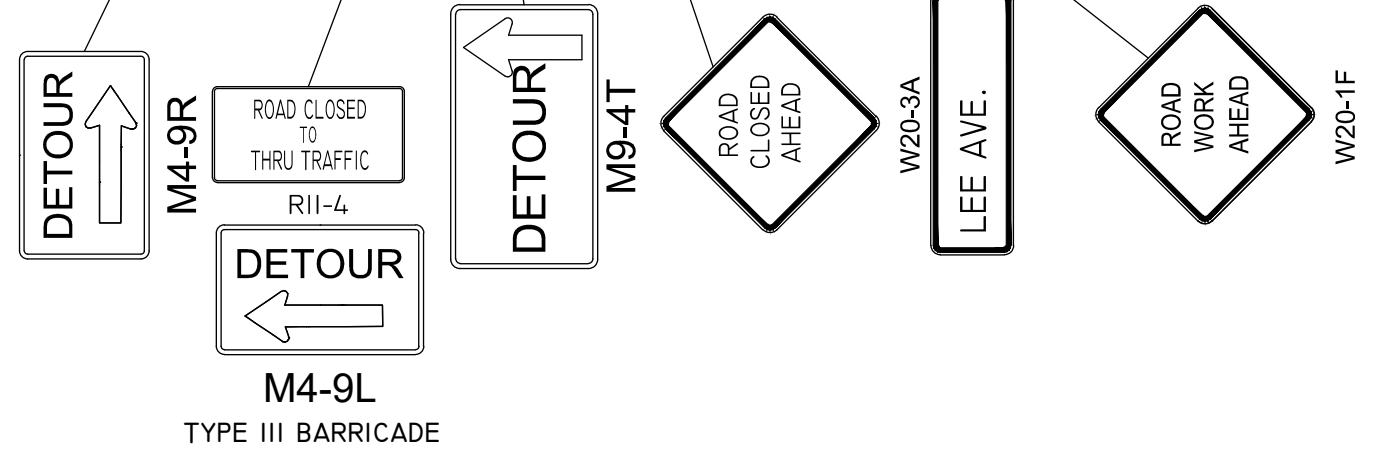
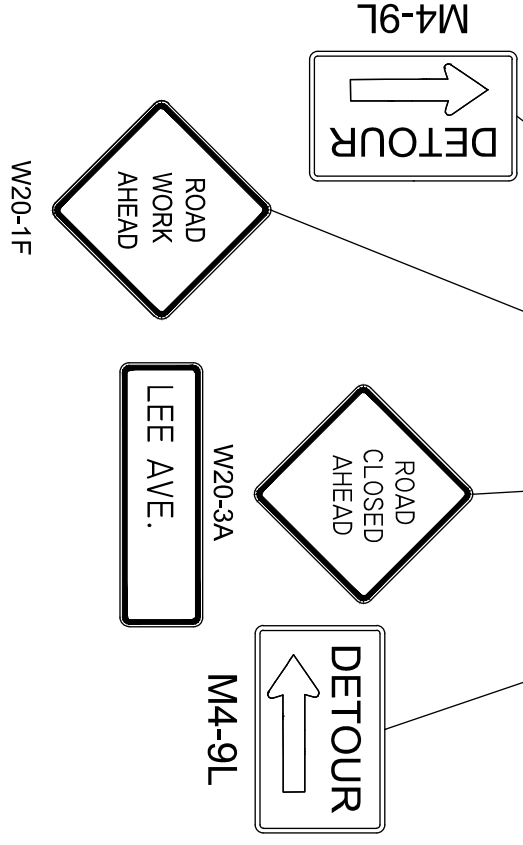
ENGINEER OF RECORD LANE P LUCAS F.L.P.E. No. 53936 EUTAW, INC. 2419 Fleischmann Rd, Ste. 1 Tallahassee, Florida 32308 TEL: (904) 833-9400 FAX: (904) 833-9400 FBPE REGISTRY # 9961	
ORIGINAL REVISIONS 1 2 3 4 5	Dec 02, 2023
SHEET TEMPORARY TRAFFIC CONTROL PLAN	
PROJECT LEE AVENUE DRAINAGE IMPROVEMENT PROJECT	
JOB No. _____ DRAWN LPL DESIGNED LPL CHECKED MWH QC LPL	
SHEET 70	

DATE PLOTTED: 12/02/2023 08:55:59 AM
D:\BARRACADE\Stormwater\Lee Avenue\DWG\T01.dwg



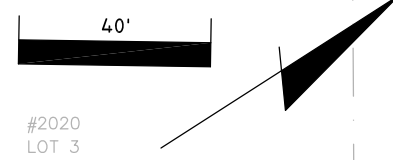
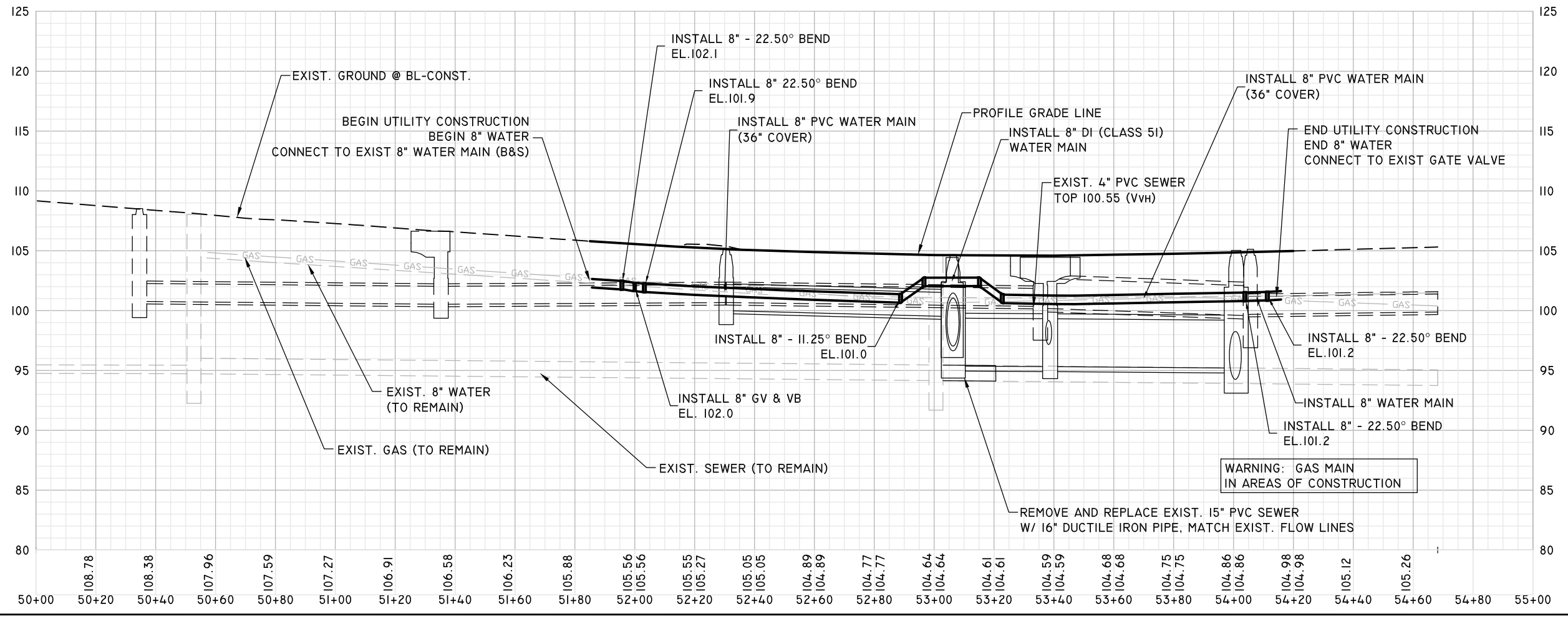
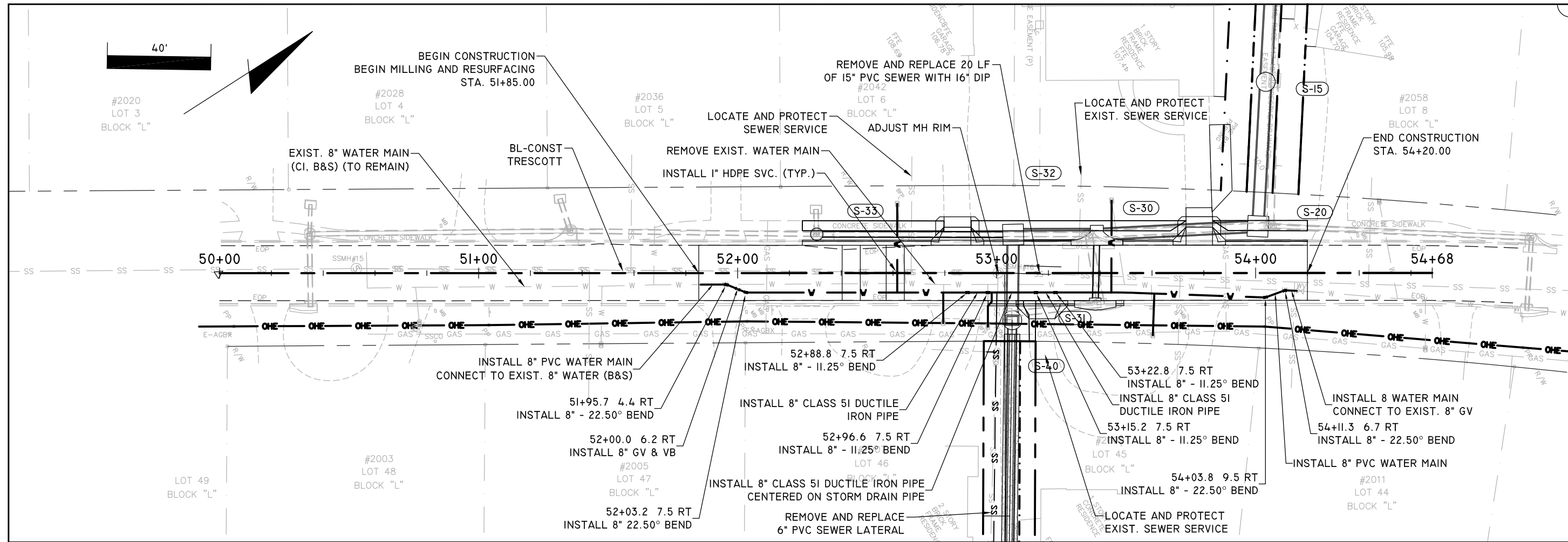
SUGGESTED ALTERNATE ROUTE

WORK ZONE



PHASE 3

EUTAW, INC. ENGINEERING-UTILITIES TRANSPORTATION AND WATER 2419 FLEISCHMANN ROAD, SUITE 1 TALLAHASSEE, FL 32308 PHONE : (850) 383-0400 WWW.EUTAWINC.COM		PROJECT LEE AVENUE DRAINAGE IMPROVEMENT PROJECT		SHEET TEMPORARY TRAFFIC CONTROL PLAN		ORIGINAL REVISIONS 1 2 3 4 5		ENGINEER OF RECORD LANE P LUCAS F.L.P.E. No. 538036 EUTAW, INC. 2419 Fleischmann Rd, Ste. 1 Tallahassee, Florida 32308 FPBE REGISTRY # 8961	
JOB No. _____ DRAWN LPL DESIGNED LPL CHECKED MWH QC LPL		SHEET 71		DATE Dec 02, 2023		FBPE REGISTRY #9961		DATE	



ENGINEER OF RECORD
LANE P. LUCAS
 F.P.E. No. 53936
EUTAW, INC.
 2419 FLEISCHMANN ROAD
 TALLAHASSEE, FLORIDA 32308
 FPBE REGISTRY # 9961

Feb 17, 2024

REVISIONS:	1	2	3	4	5

UTILITY PLAN & PROFILE

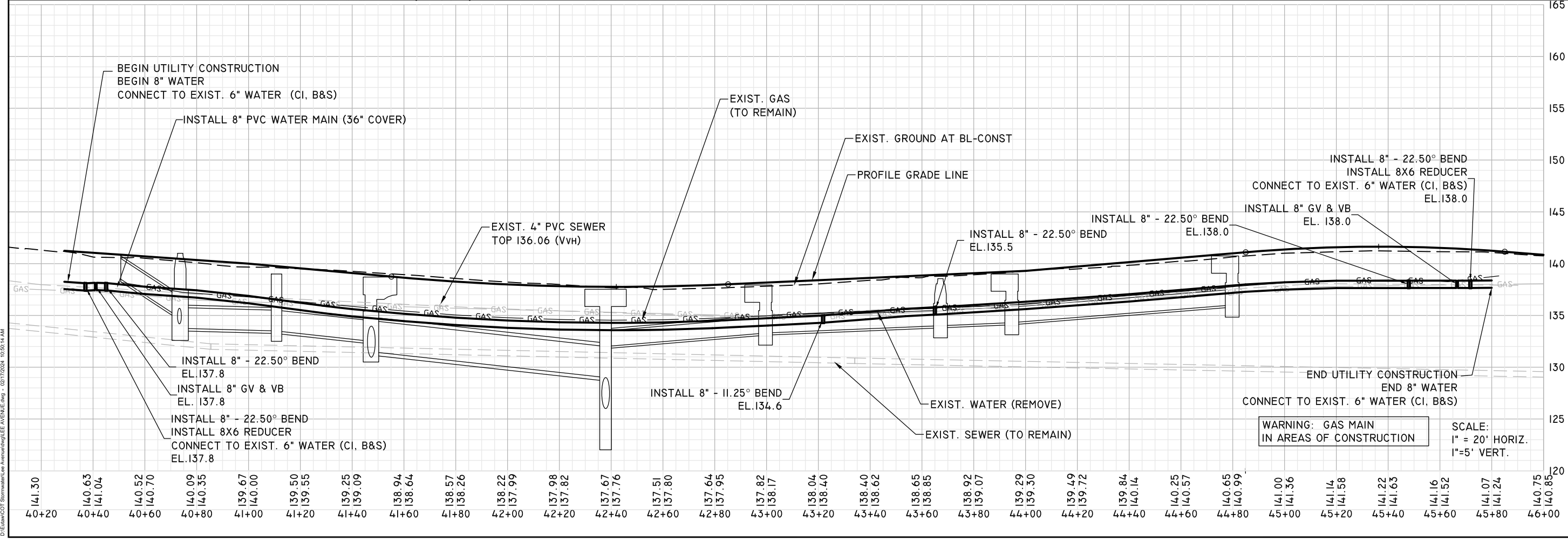
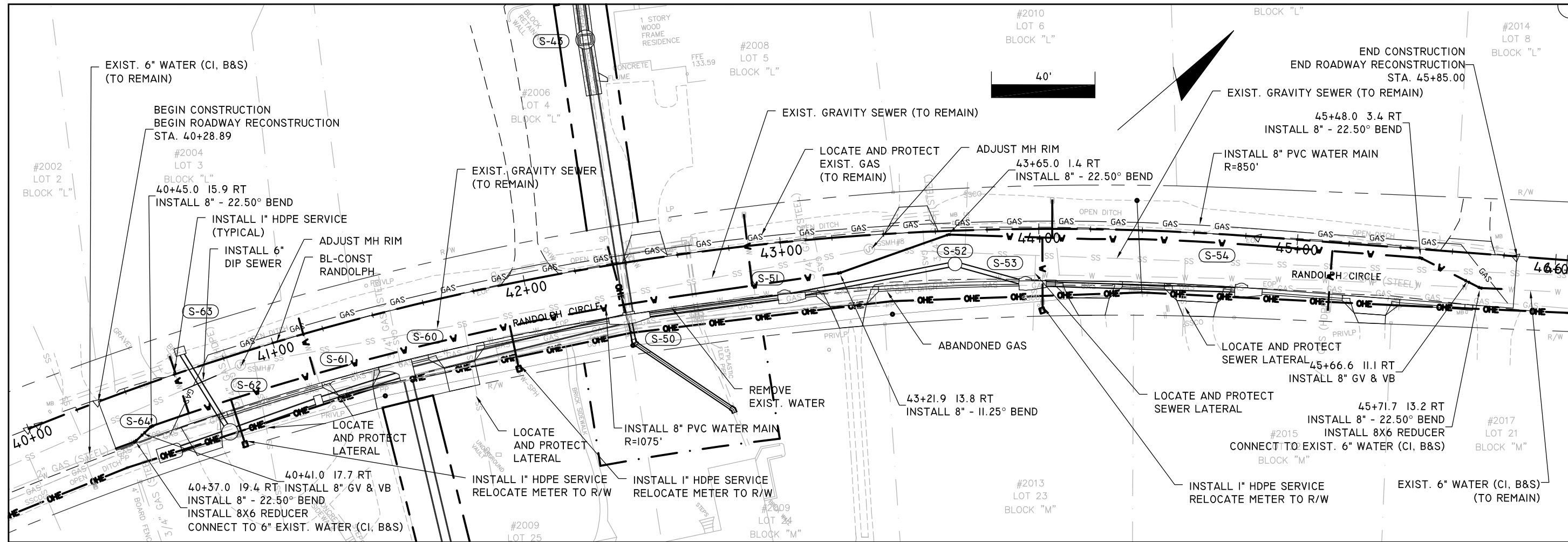
LEE AVENUE DRAINAGE IMPROVEMENT PROJECT

Eutaw, Inc.
 ENGINEERING-UTILITIES, TRANSPORTATION, AND WATER
 2419 FLEISCHMANN ROAD, STE. 1
 TALLAHASSEE, FL 32308
 PHONE : (850) 383-9400
 WWW.EUTAWINC.COM
 FPBE REGISTRY #9961

JOB No.	LPL
DRAWN	LPL
DESIGNED	LPL
CHECKED	MWH
QC	LPL

SHEET **72**

DATE PLOTTED: 02/17/2024 10:46:35 AM
 D:\EUTAW\Projects\Lee Avenue\DWG\Lee Avenue.dwg



ENGINEER OF RECORD
 LANE P. LUCAS
 F.P.E. No. 53936
EUTAW, INC.
 2419 FLEISCHMANN ROAD
 TALLAHASSEE, FLORIDA 32308
 FPBE REGISTRY # 9961

Feb 17, 2024

REVISIONS:

1	
2	
3	
4	
5	

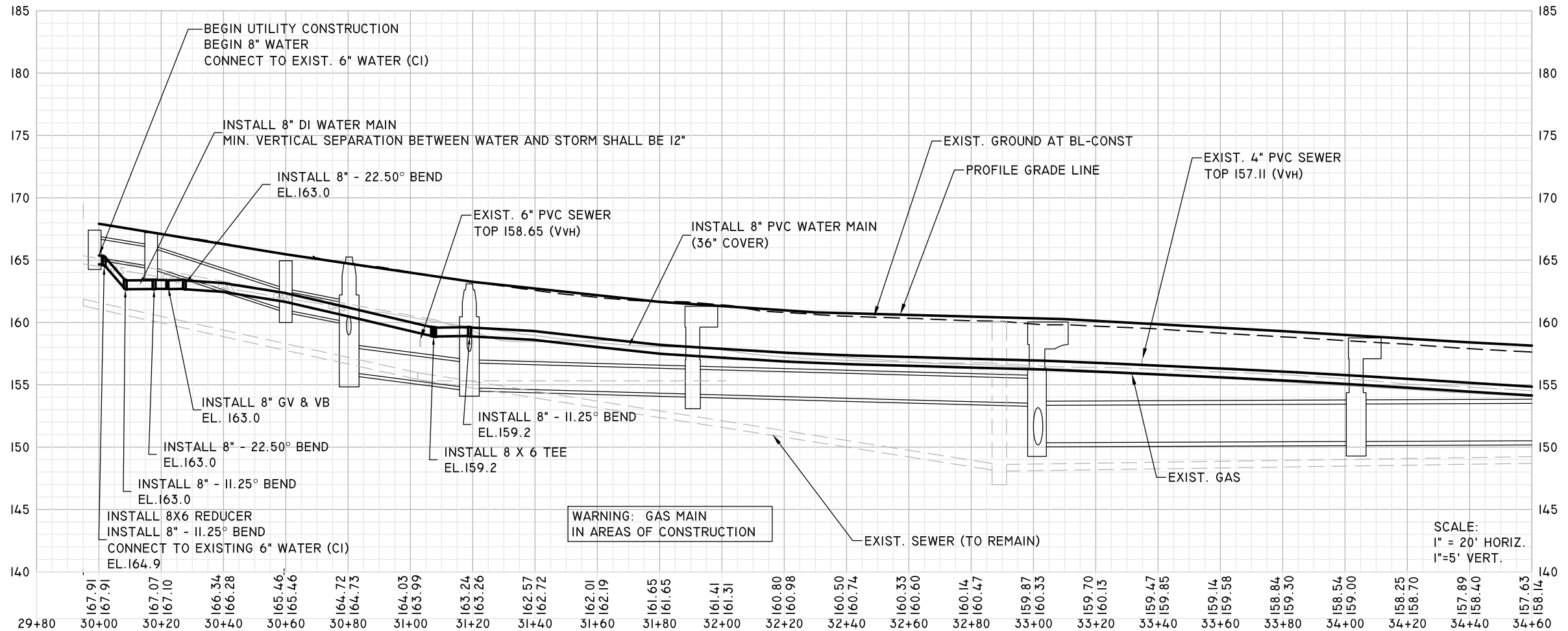
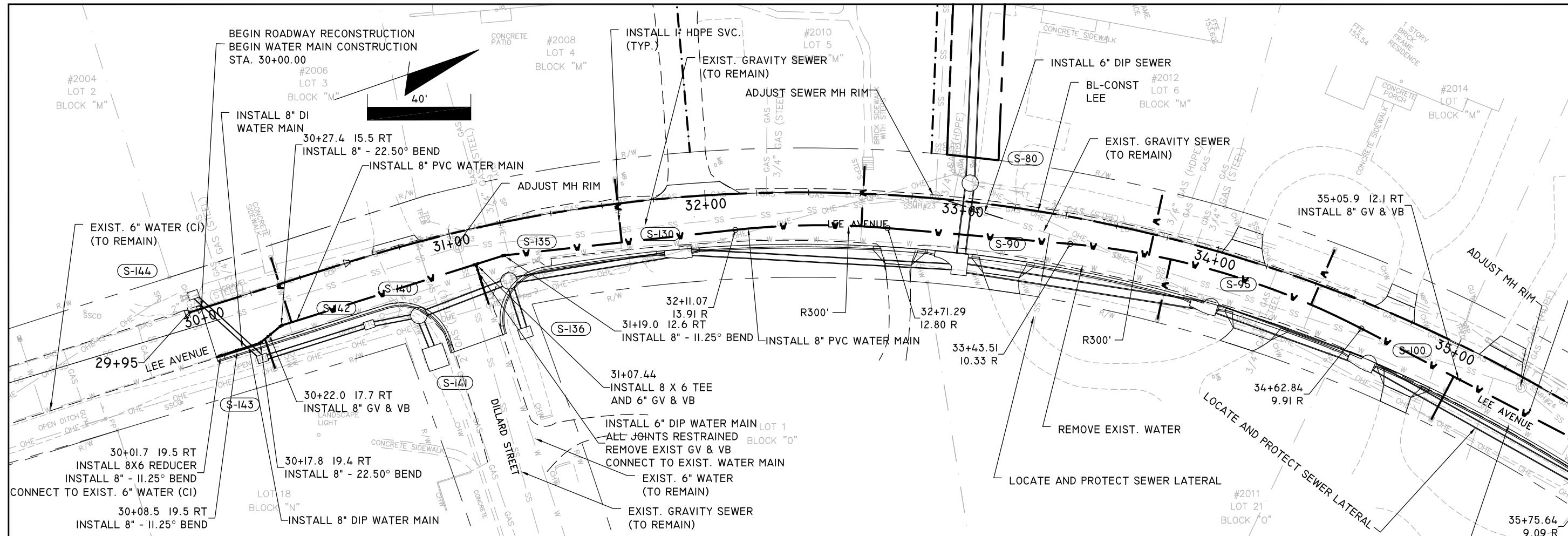
UTILITY PLAN & PROFILE

LEE AVENUE DRAINAGE IMPROVEMENT PROJECT

EUTAW, INC.
 ENGINEERING-UTILITIES, TRANSPORTATION, AND WATER
 2419 FLEISCHMANN ROAD, STE. 1
 TALLAHASSEE, FL 32308
 PHONE: (850) 383-0400
 WWW.EUTAWINC.COM
 FPBE REGISTRY #9961

JOB No.	LPL
DRAWN	LPL
DESIGNED	LPL
CHECKED	MWH
QC	LPL

SHEET **73**



ENGINEER OF RECORD
LANE P. LUCAS
 F.P.E. No. 53936
EUTAW, INC.
 2419 FLEISCHMANN ROAD
 TALLAHASSEE, FLORIDA 32308
 FPBE REGISTRY # 9961

Feb 17, 2024

REVISIONS:

1	
2	
3	
4	
5	

UTILITY PLAN & PROFILE

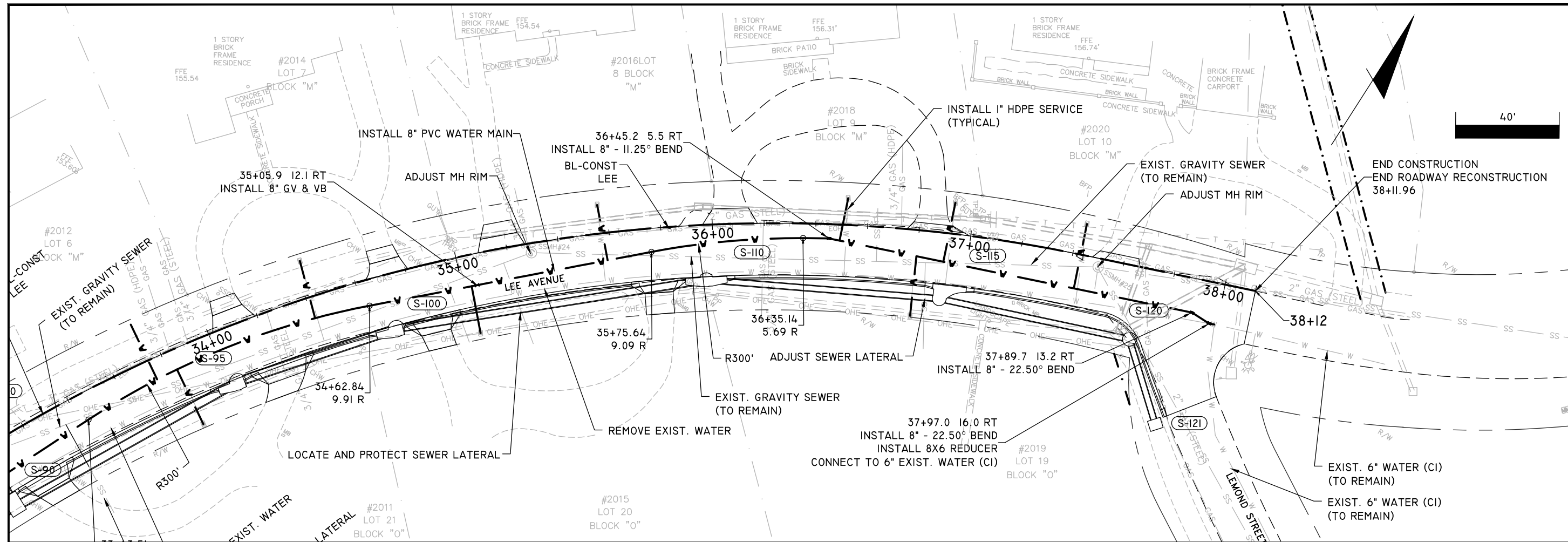
LEE AVENUE DRAINAGE IMPROVEMENT PROJECT

EUTAW, INC.
 ENGINEERING-UTILITIES, TRANSPORTATION, AND WATER
 2419 FLEISCHMANN ROAD, STE. 1
 TALLAHASSEE, FL 32308
 PHONE: (850) 383-9400
 WWW.EUTAWINC.COM
 FPBE REGISTRY #9961

JOB No. _____
 DRAWN: LPL
 DESIGNED: LPL
 CHECKED: MWH
 QC: LPL

SHEET **74**

DATE PLOTTED: 02/17/2024 10:54:08 AM
 D:\EUTAW\2024\Lee Avenue\Lee Avenue.dwg - 02/17/2024 10:54:08 AM

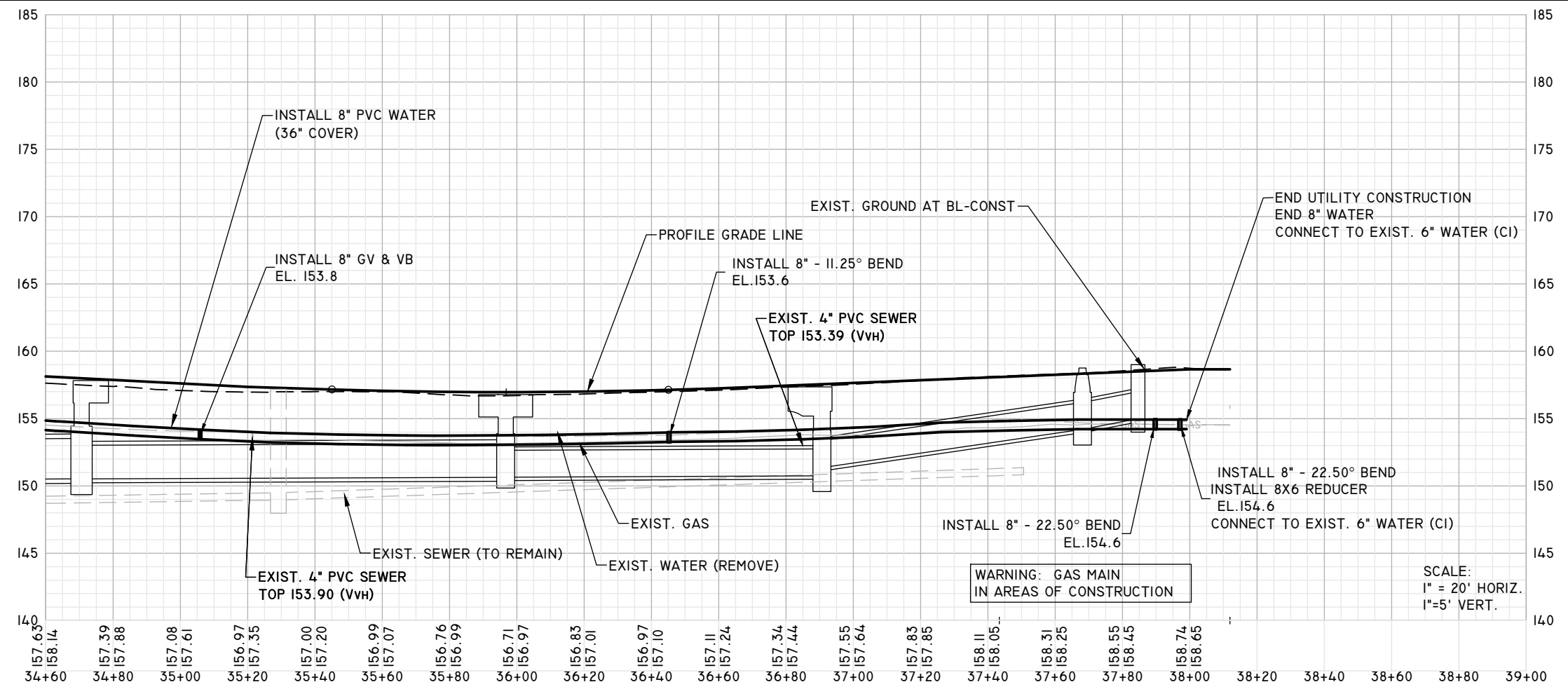


ENGINEER OF RECORD
 LANE P. LUCAS
 F.P.E. No. 53936
EUTAW, INC.
 2419-1 Fleischmann Road
 Tallahassee, Florida 32308
 FPBE REGISTRY # 9961

Dec. 02, 2023

NO.	REVISIONS
1	
2	
3	
4	
5	

UTILITY PLAN & PROFILE



LEE AVENUE DRAINAGE IMPROVEMENT PROJECT

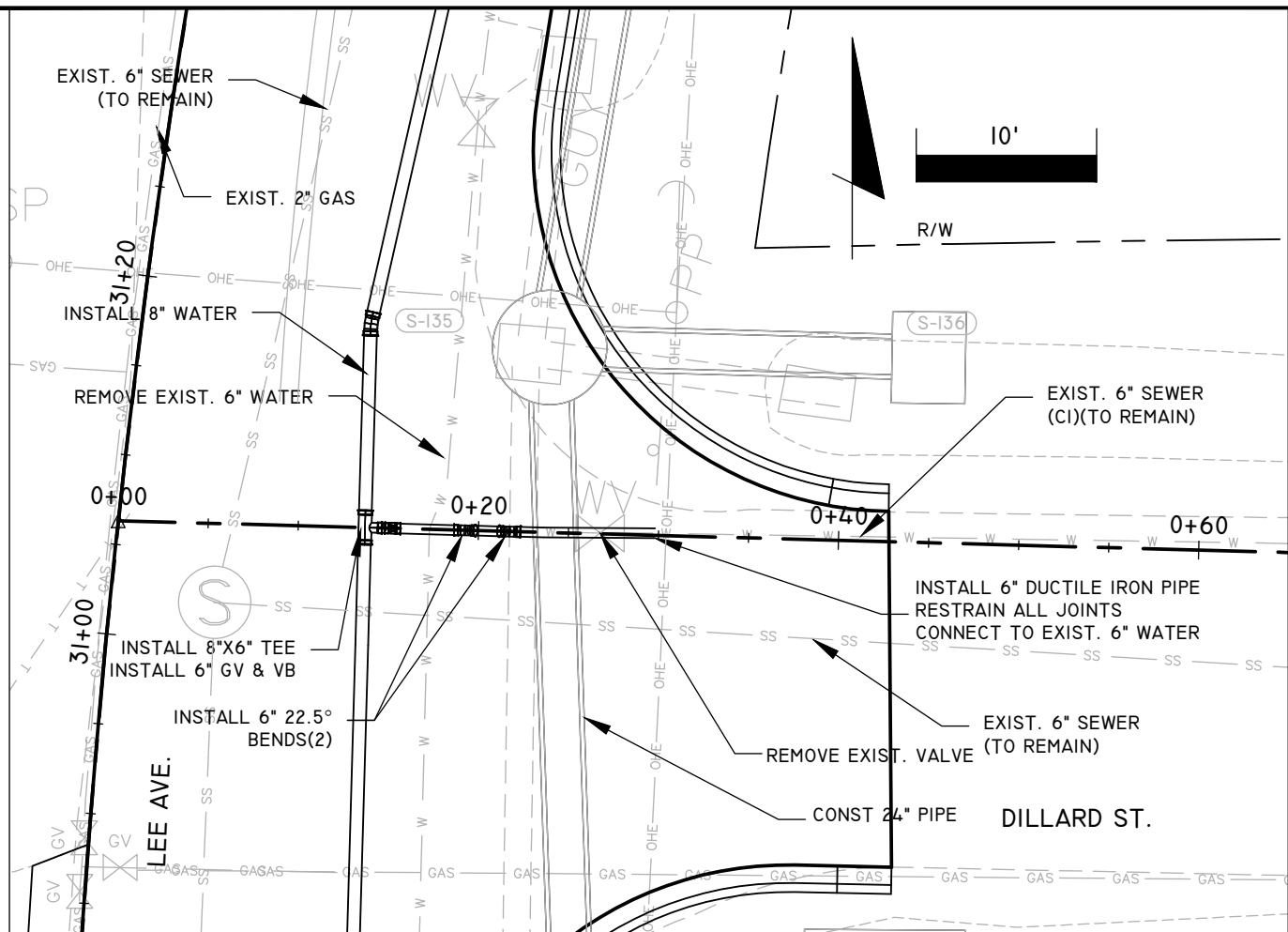
PROJECT

EUTAW, INC.
 ENGINEERING-UTILITIES TRANSPORTATION AND WATER
 2419 FLEISCHMANN ROAD, STE. 1
 TALLAHASSEE, FL 32308
 PHONE: (850) 383-0400
 WWW.EUTAWINC.COM
 FBPE REGISTRY #9961

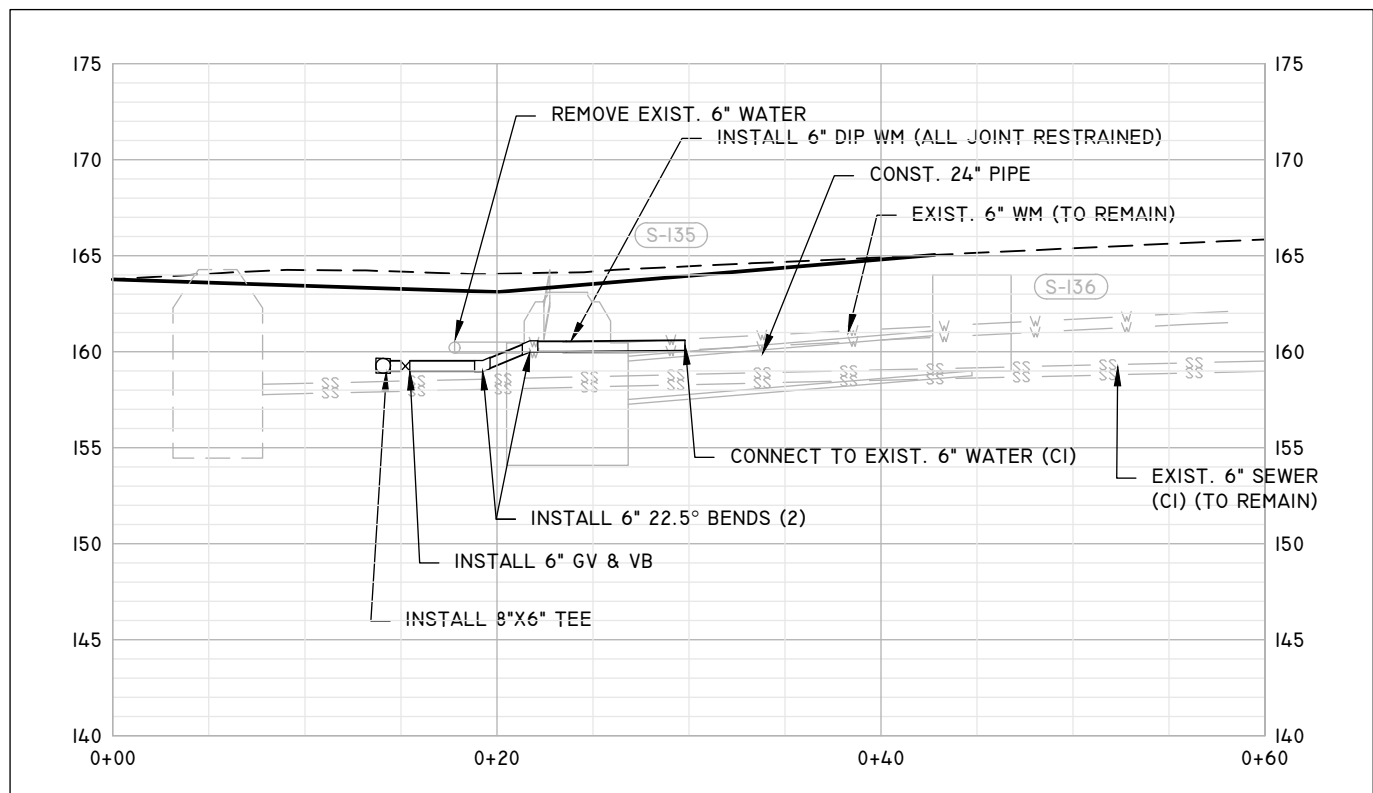
JOB No.	DRAWN	DESIGNED	CHECKED	QC
	LPL	LPL	MWH	LPL

SHEET 75

U:\DWG\DOT Stormwater\Lee Avenue\Lee Avenue.dwg - 12/02/2023 08:22:02 AM



PLAN



PROFILE

CONNECTION TO DILLARD ST WATER MAIN

WARNING: GAS MAIN IN AREAS OF CONSTRUCTION

DATE: 08/22/21 AM
 02:22:21 AM
 C:\Users\luc\Documents\2023\082221\UTILITY DETAIL.dwg - 12/02/2023

ENGINEER OF RECORD
 LANE P LUCAS
 F.L.P.E. No. 538036
 EUTAW, INC.
 2419 FLEISCHMANN ROAD
 TALLAHASSEE, FLORIDA 32308
 FPBE REGISTRY # 9961

ORIGINAL	REVISIONS
1	1
2	2
3	3
4	4
5	5

CONNECTION DETAILS

LEE AVENUE
 DRAINAGE
 IMPROVEMENT
 PROJECT

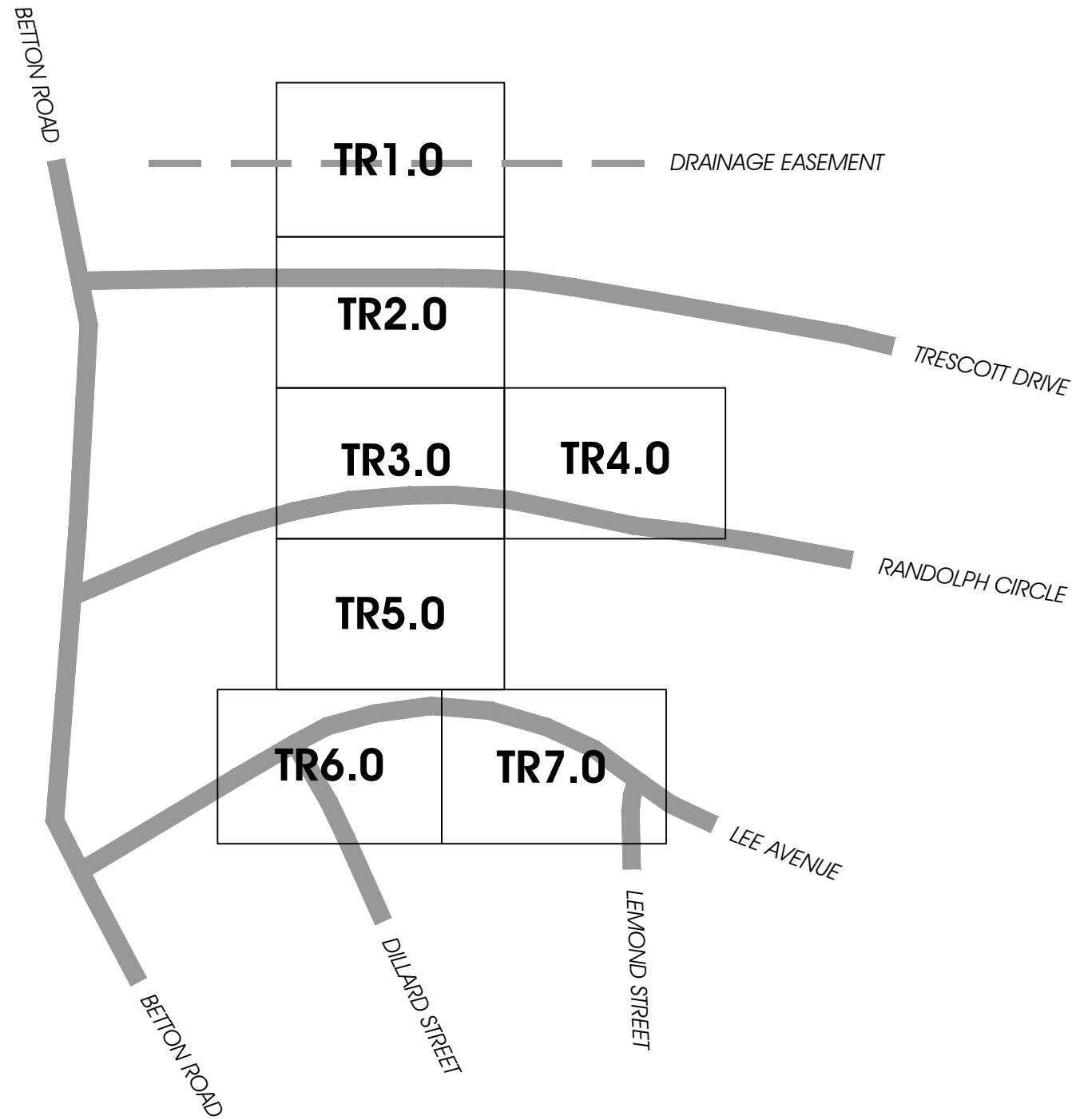
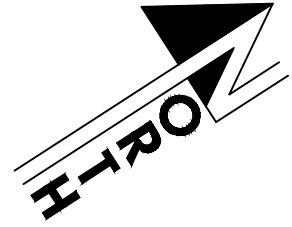
EUTAW, INC.
 ENGINEERING-UTILITIES, TRANSPORTATION, AND WATER
 2419 FLEISCHMANN ROAD, SUITE 1
 TALLAHASSEE, FL 32308
 PHONE : (850) 383-9400
 WWW.EUTAWINC.COM
 FPBE REGISTRY # 9961

JOB No.	
DRAWN	LPL
DESIGNED	LPL
CHECKED	MWH
QC	LPL

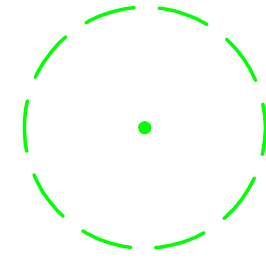
SHEET 76

KEY SHEET MAP

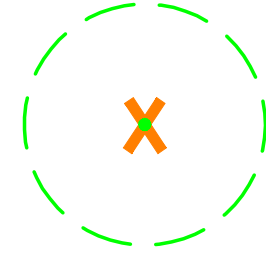
NOT TO SCALE



LEGEND



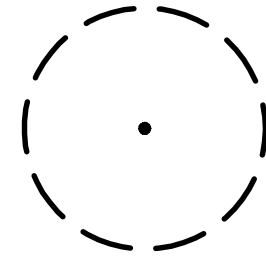
EXISTING TREE NOT IMPACTED SHOWN FOR REFERENCE ONLY (TYP.)



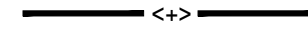
EXISTING TREE TO BE REMOVED (TYP.)



EXISTING CABBAGE PALM, PINDO PALM, DATE PALM OR SAGO PALM SHOWN FOR REFERENCE ONLY (TYP.)



EXISTING TREE TO RECEIVE ARBORIST MITIGATION (TYP.)



PROPOSED TREE PROTECTION BARRICADE (PER DETAIL)



PROPOSED SPECIAL TREE PROTECTION (PER DETAIL)



PROPOSED ROOT PRUNING (PER DETAIL)



PROPOSED EXCAVATION AREA FOR SITE IMPROVEMENTS



PROPOSED UNDERGROUND PIPE BORING



EXISTING RIGHT-OF-WAY

NOTE:

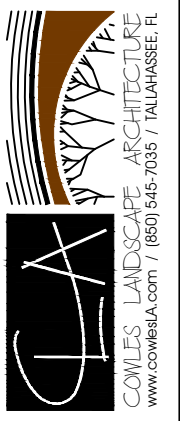
BACKGROUND INFORMATION (SURVEY & CIVIL) IS SHOWN FOR REFERENCE ONLY (TYP.)

NO.	DATE	REVISIONS

PROJECT NAME	LEE AVENUE DRAINAGE IMPROVEMENTS
CLIENT NAME	CITY OF TALLAHASSEE EUTAW, INC.

DATE: 11/27/2023
DRAWN BY: D.L.C.

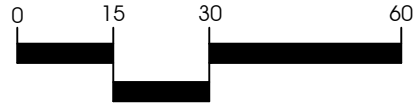
COMLES LANDSCAPE ARCHITECTURE
CLAS
2285 TRESSCOTT DRIVE
TALLAHASSEE, FL 32308
(850) 545-7035
www.comlesla.com



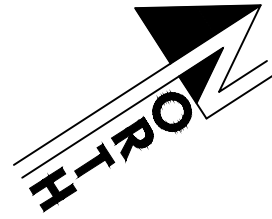
ARBORIST EXHIBIT
NOTES & DETAILS

SHEET TITLE
TR0.0

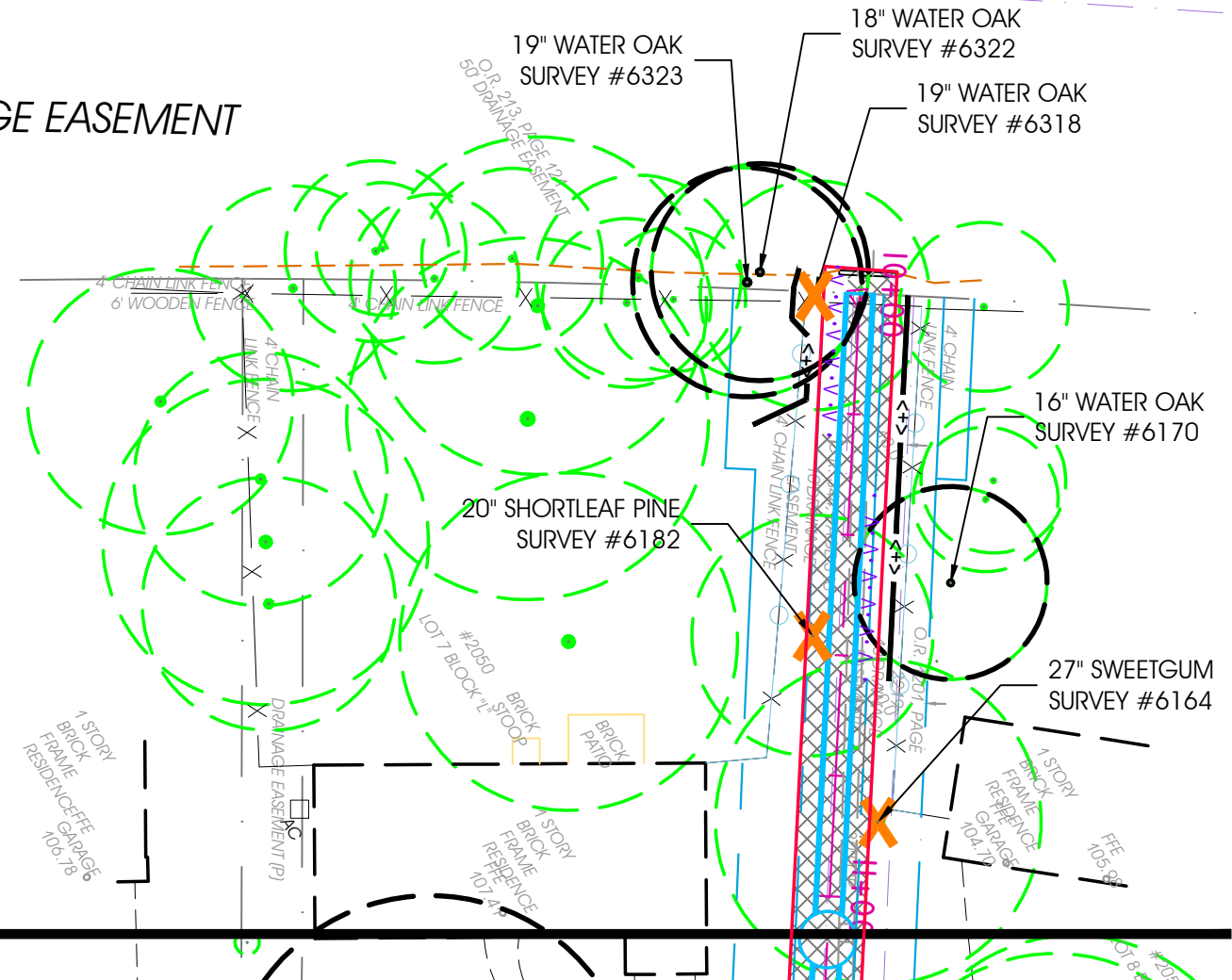
GRAPHIC SCALE



1 inch = 30 ft.



DRAINAGE EASEMENT



SHEET TR1.0
MATCHLINE
 SHEET TR2.0

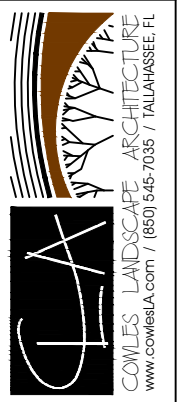
REVISIONS	DATE	DESCRIPTION

PROJECT NAME
**LEE AVENUE
 DRAINAGE IMPROVEMENTS**

CLIENT NAME
**CITY OF TALLAHASSEE
 EUTAW, INC.**

DATE: 11/27/2023
 DRAWN BY: DLC

COWLES LANDSCAPE ARCHITECTURE
 (C/LA)
 2285 TRISKITT DRIVE
 TALLAHASSEE, FL 32308
 (850) 545-7035
 www.cowlesLA.com

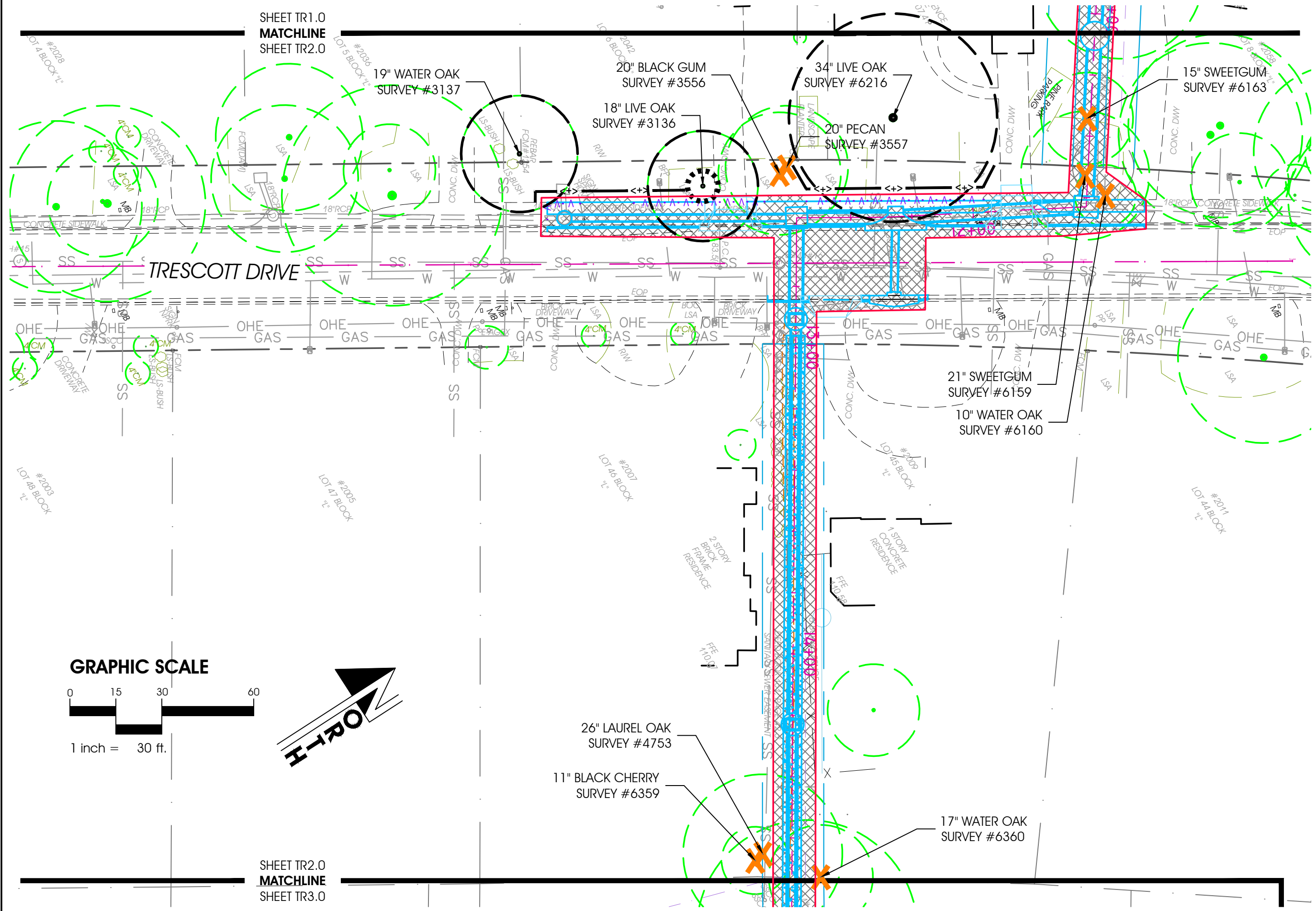


SHEET TITLE
ARBORIST EXHIBIT MAP

SHEET
TR1.0

SHEET TR1.0
MATCHLINE
SHEET TR2.0

SHEET TR2.0
MATCHLINE
SHEET TR3.0



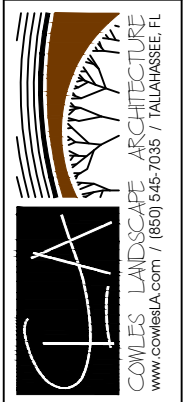
REVISIONS

PROJECT NAME
LEE AVENUE DRAINAGE IMPROVEMENTS

CLIENT NAME
CITY OF TALLAHASSEE EUTAW, INC.

DATE: 11/27/2023
DRAWN BY: DLC

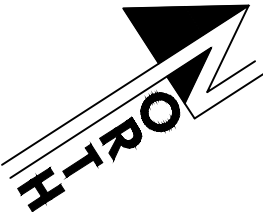
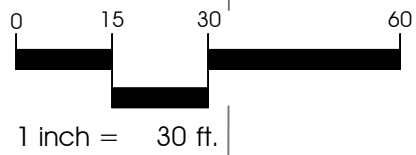
COWLES LANDSCAPE ARCHITECTURE (CLA)
2285 TRESPOTT DRIVE
TALLAHASSEE, FL 32308
(850) 545-7035
www.cowlesLA.com



SHEET TITLE
ARBORIST EXHIBIT MAP

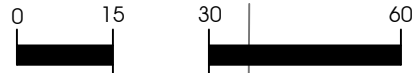
SHEET
TR2.0

GRAPHIC SCALE

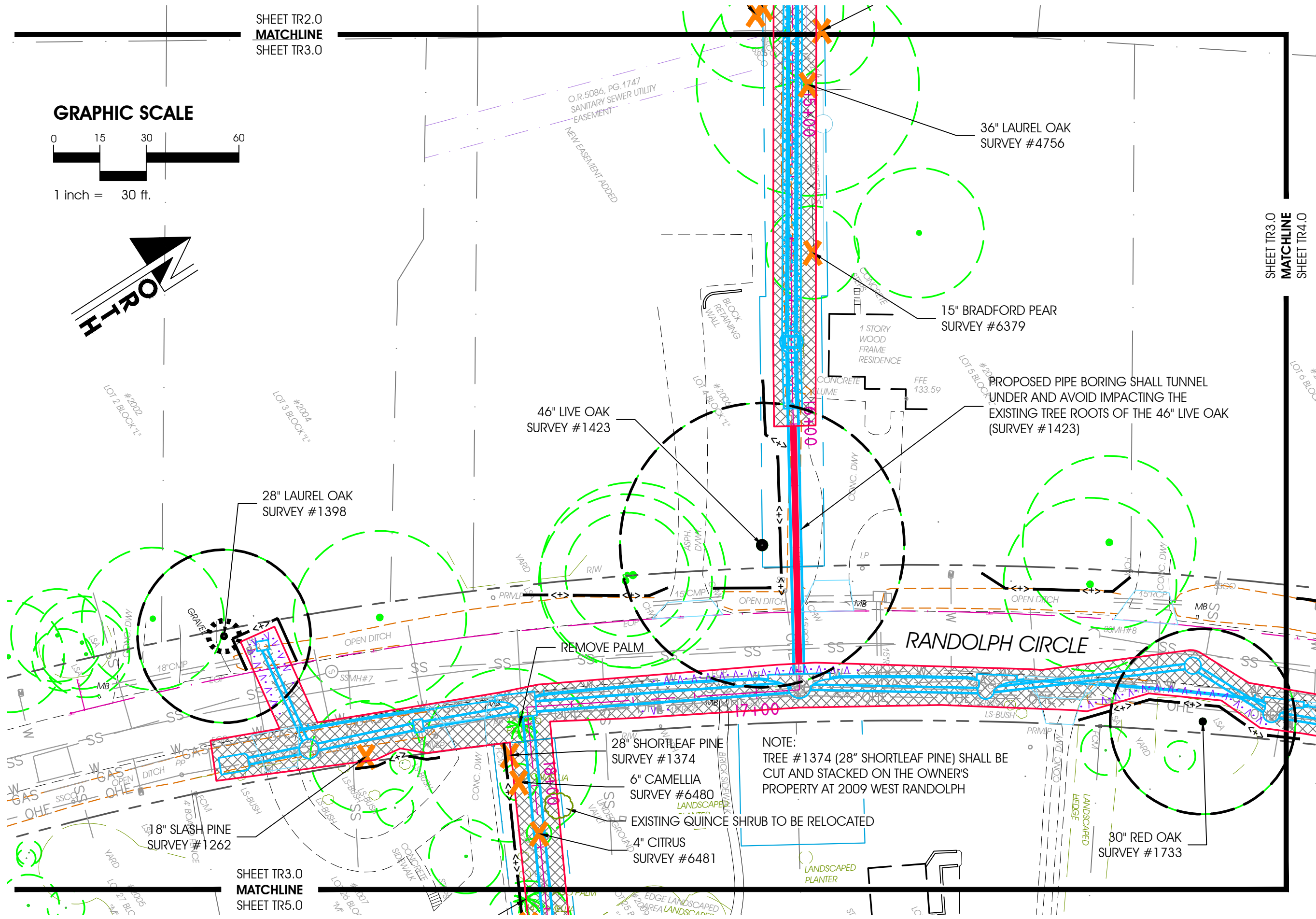
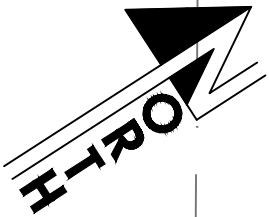


SHEET TR2.0
MATCHLINE
 SHEET TR3.0

GRAPHIC SCALE



1 inch = 30 ft.



O.R. 5086, PG. 1747
 SANITARY SEWER UTILITY
 EASEMENT
 NEW EASEMENT ADDED

36" LAUREL OAK
 SURVEY #4756

15" BRADFORD PEAR
 SURVEY #6379

PROPOSED PIPE BORING SHALL TUNNEL
 UNDER AND AVOID IMPACTING THE
 EXISTING TREE ROOTS OF THE 46" LIVE OAK
 (SURVEY # 1423)

46" LIVE OAK
 SURVEY #1423

28" LAUREL OAK
 SURVEY #1398

REMOVE PALM

RANDOLPH CIRCLE

28" SHORLEAF PINE
 SURVEY #1374

6" CAMELLIA
 SURVEY #6480

4" CITRUS
 SURVEY #6481

NOTE:
 TREE #1374 (28" SHORLEAF PINE) SHALL BE
 CUT AND STACKED ON THE OWNER'S
 PROPERTY AT 2009 WEST RANDOLPH

EXISTING QUINCE SHRUB TO BE RELOCATED

30" RED OAK
 SURVEY #1733

SHEET TR3.0
MATCHLINE
 SHEET TR4.0

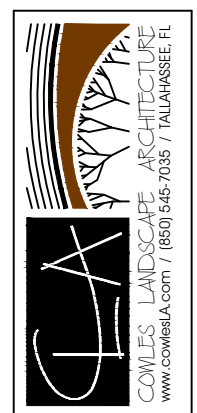
REVISIONS	

PROJECT NAME
**LEE AVENUE
 DRAINAGE IMPROVEMENTS**

CLIENT NAME
**CITY OF TALLAHASSEE
 EUTAW, INC.**

DATE: 11/27/2023
 DRAWN BY: DLC

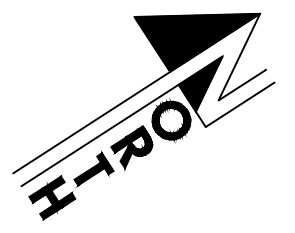
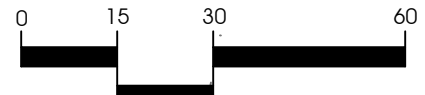
COWLES LANDSCAPE ARCHITECTURE
 (FLA)
 2285 TRISKOTT DRIVE
 TALLAHASSEE, FL 32308
 (850) 545-7035
 www.cowlesLA.com



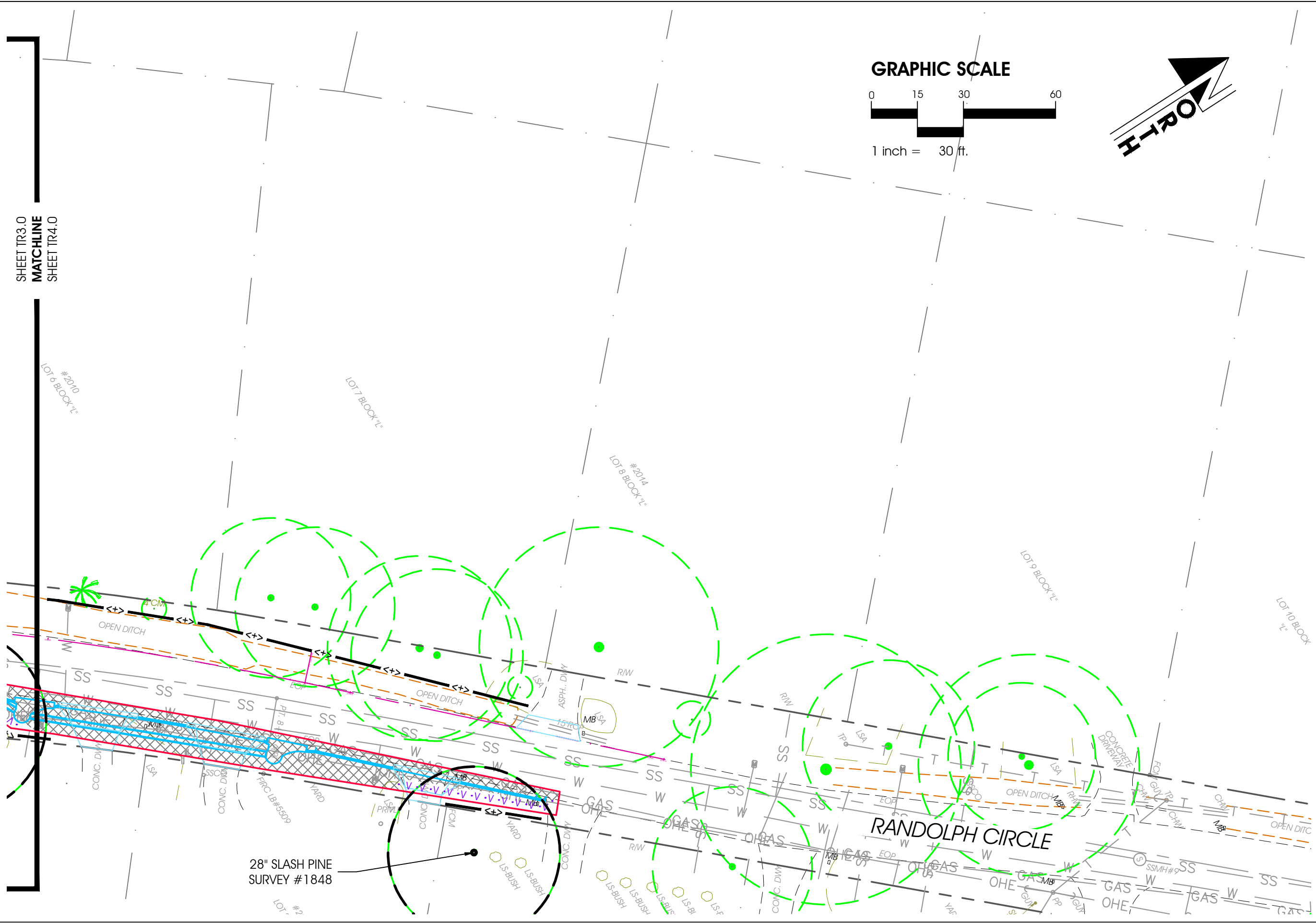
ARBORIST EXHIBIT MAP

SHEET
TR3.0

GRAPHIC SCALE



SHEET TR3.0
MATCHLINE
SHEET TR4.0



NO.	REVISIONS

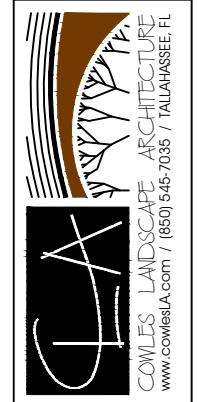
PROJECT NAME
LEE AVENUE DRAINAGE IMPROVEMENTS

CLIENT NAME
CITY OF TALLAHASSEE EUTAW, INC.

DATE: 11/27/2023

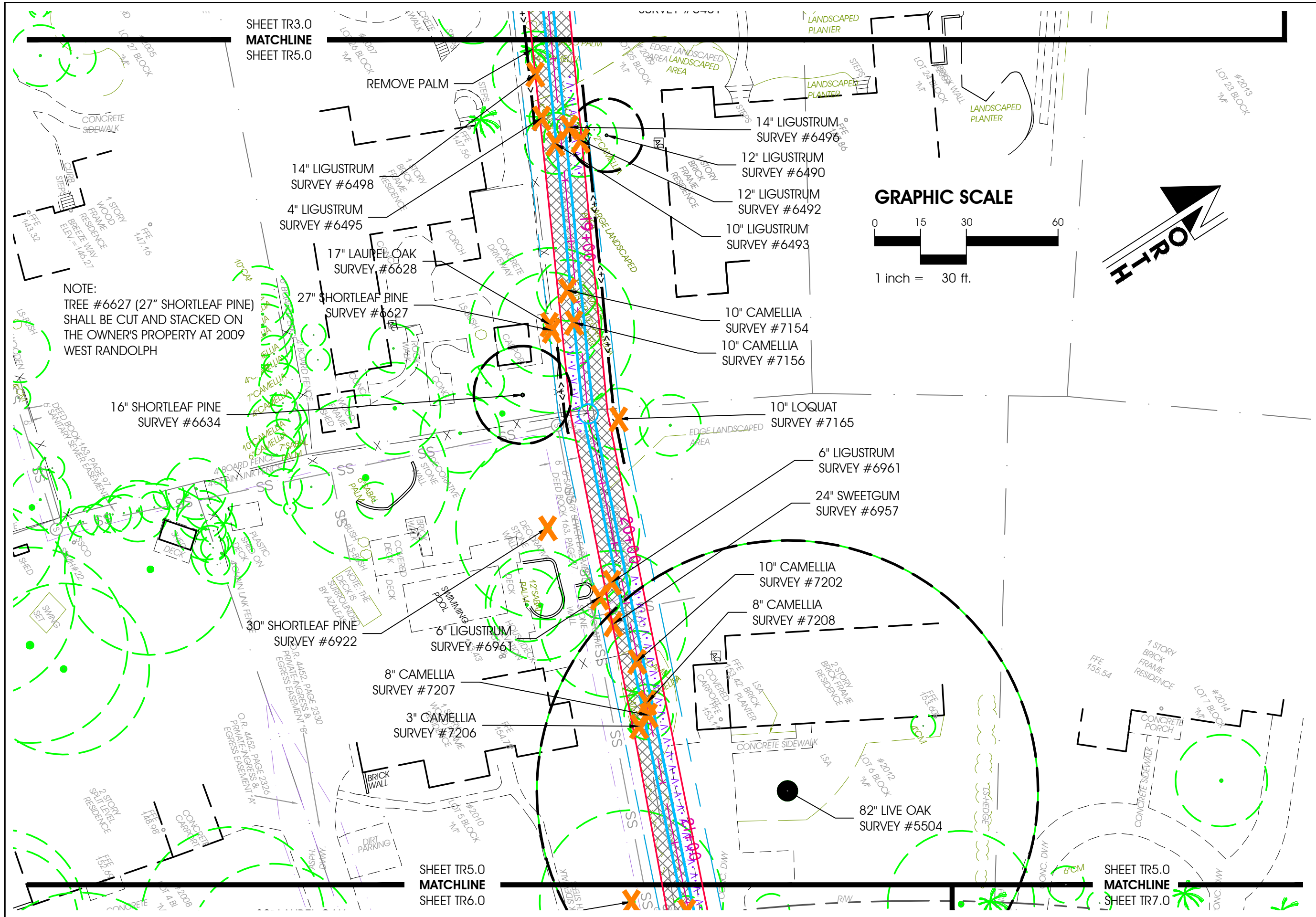
DRAWN BY: DLC

COWLES LANDSCAPE ARCHITECTURE (CLA)
2285 TRISCOTT DRIVE
TALLAHASSEE, FL 32308
(850) 545-7035
www.cowlesla.com



SHEET TITLE
ARBORIST EXHIBIT MAP

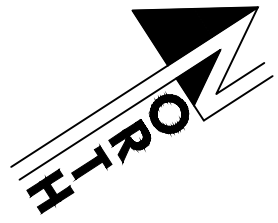
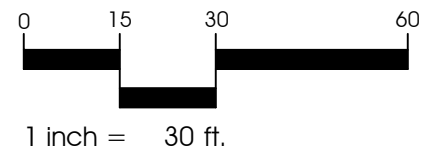
SHEET
TR4.0



SHEET TR3.0
MATCHLINE
SHEET TR5.0

REMOVE PALM

GRAPHIC SCALE



NOTE:
TREE #6627 (27" SHORLEAF PINE)
SHALL BE CUT AND STACKED ON
THE OWNER'S PROPERTY AT 2009
WEST RANDOLPH

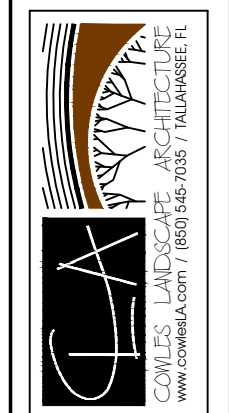
NO.	DATE	REVISIONS

PROJECT NAME
**LEE AVENUE
DRAINAGE IMPROVEMENTS**

CLIENT NAME
**CITY OF TALLAHASSEE
EUTAW, INC.**

DATE: 11/27/2023
DRAWN BY: DLC

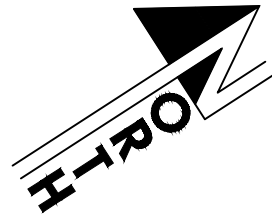
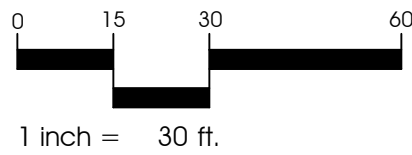
COWLES LANDSCAPE ARCHITECTURE
CLIA
2285 TRICOTT DRIVE
TALLAHASSEE, FL 32308
(850) 545-7035
www.cowlesla.com



SHEET TITLE
ARBORIST EXHIBIT MAP

SHEET
TR5.0

GRAPHIC SCALE



SHEET TR5.0
MATCHLINE
SHEET TR6.0

30" LAUREL OAK
SURVEY #5049
(STORM DAMAGED 9/7/2023
REMOVE PER CITY AGREEMENT
WITH PROPERTY OWNER)

5" PLUM
SURVEY #5061

20" SHORLEAF PINE
SURVEY #385

20" SHORLEAF PINE
SURVEY #387

69" LIVE OAK
SURVEY #7465

24" BRADFORD PEAR
SURVEY #7363

23" SHORLEAF PINE
SURVEY #7335

31" SHORLEAF PINE
SURVEY #7295

6" PLUM
SURVEY #7270

24" SLASH PINE
SURVEY #598

20" SHORLEAF PINE
SURVEY #599

SHEET TR6.0
MATCHLINE
SHEET TR7.0

NO.	DATE	DESCRIPTION

PROJECT NAME
**LEE AVENUE
DRAINAGE IMPROVEMENTS**

CLIENT NAME
**CITY OF TALLAHASSEE
EUTAW, INC.**

DATE: 11/27/2023

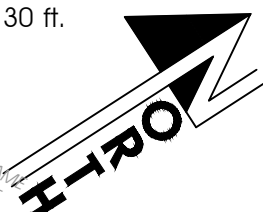
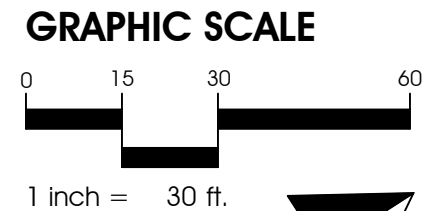
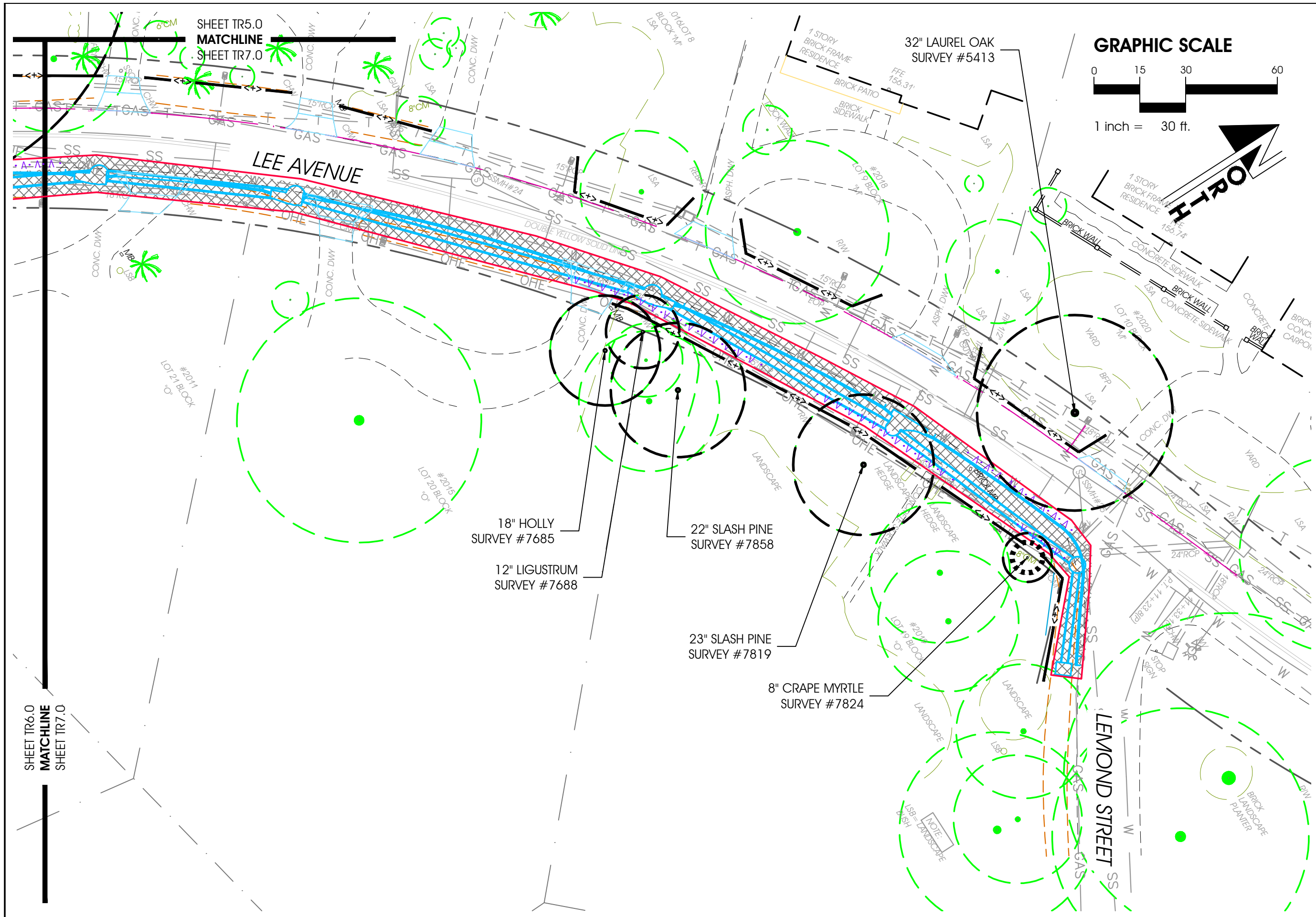
DRAWN BY: DLC

COWLES LANDSCAPE ARCHITECTURE
(CLA)
2285 TRICOTT DRIVE
TALLAHASSEE, FL 32308
(850) 545-7035
www.cowlesla.com



SHEET TITLE
ARBORIST EXHIBIT MAP

SHEET
TR6.0



SHEET TR6.0
MATCHLINE
SHEET TR7.0

SHEET TR5.0
MATCHLINE
SHEET TR7.0

NO.	DESCRIPTION	DATE

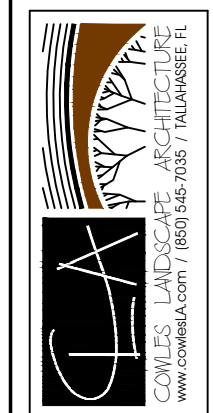
PROJECT NAME
LEE AVENUE DRAINAGE IMPROVEMENTS

CLIENT NAME
CITY OF TALLAHASSEE EUTAW, INC.

DATE: 11/27/2023

DRAWN BY: DLC

COWLES LANDSCAPE ARCHITECTURE (CA)
2285 TRICOTT DRIVE
TALLAHASSEE, FL 32308
(850) 545-7035
www.cowlesLA.com



SHEET TITLE
ARBORIST EXHIBIT MAP

SHEET
TR7.0

SUBJECT [TO BE MITIGATED] TREE LIST

SURVEY #385	SHORTLEAF PINE	(PINUS ECHINATA)	20"	D.B.H.
SURVEY #387	SHORTLEAF PINE	(PINUS ECHINATA)	20"	D.B.H.
SURVEY #598	SLASH PINE	(PINUS ECHINATA)	24"	D.B.H.
SURVEY #599	SHORTLEAF PINE	(PINUS ECHINATA)	20"	D.B.H.
SURVEY #1398	LAUREL OAK	(QUERCUS LAURIFOLIA)	28"	D.B.H.
SURVEY #1423	LIVE OAK	(QUERCUS VIRGINIANA)	46"	D.B.H.
SURVEY #1733	RED OAK	(QUERCUS FALCATA)	30"	D.B.H.
SURVEY #1848	SLASH PINE	(PINUS ECHINATA)	28"	D.B.H.
SURVEY #3136	LIVE OAK	(QUERCUS VIRGINIANA)	18"	D.B.H.
SURVEY #3137	WATER OAK	(QUERCUS NIGRA)	19"	D.B.H.
SURVEY #5413	LAUREL OAK	(QUERCUS LAURIFOLIA)	32"	D.B.H.
SURVEY #5504	LIVE OAK	(QUERCUS VIRGINIANA)	82"	D.B.H.
SURVEY #6170	WATER OAK	(QUERCUS NIGRA)	16"	D.B.H.
SURVEY #6216	LIVE OAK	(QUERCUS VIRGINIANA)	34"	D.B.H.
SURVEY #6322	WATER OAK	(QUERCUS NIGRA)	18"	D.B.H.
SURVEY #6323	WATER OAK	(QUERCUS NIGRA)	19"	D.B.H.
SURVEY #6490	LIGUSTRUM	(LIGUSTRUM SPP.)	12"	D.B.H.
SURVEY #6634	SHORTLEAF PINE	(PINUS ECHINATA)	16"	D.B.H.
SURVEY #7270	PLUM	(PRUNUS SPP.)	6"	D.B.H.
SURVEY #7295	SHORTLEAF PINE	(PINUS ECHINATA)	31"	D.B.H.
SURVEY #7363	BRADFORD PEAR	(PYRUS CALLERYANA)	24"	D.B.H.
SURVEY #7465	LIVE OAK	(QUERCUS VIRGINIANA)	69"	D.B.H.
SURVEY #7685	HOLLY	(ILEX ATTENUATA)	18"	D.B.H.
SURVEY #7688	LIGUSTRUM	(LIGUSTRUM SPP.)	12"	D.B.H.
SURVEY #7819	SLASH PINE	(PINUS ECHINATA)	23"	D.B.H.
SURVEY #7824	CRAPE MYRTLE	(LAGERSTROEMIA INDICA)	8"	D.B.H.
SURVEY #7858	SLASH PINE	(PINUS ECHINATA)	22"	D.B.H.

SUBJECT [TO BE REMOVED] TREE LIST

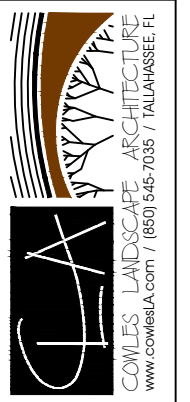
SURVEY #1262	SLASH PINE	(PINUS ELLIOTTII)	18"	D.B.H.
* SURVEY #1374	SHORTLEAF PINE	(PINUS ECHINATA)	28"	D.B.H.
SURVEY #3556	BLACK GUM	(NYSSA SYLVATICA)	20"	D.B.H.
SURVEY #3557	PECAN	(CARYA ILLINOINENSIS)	20"	D.B.H.
SURVEY #4753	LAUREL	(QUERCUS LAURIFOLIA)	26"	D.B.H.
SURVEY #4756	LAUREL	(QUERCUS LAURIFOLIA)	36"	D.B.H.
SURVEY #5049	LAUREL OAK	(QUERCUS LAURIFOLIA)	30"	D.B.H.
SURVEY #5061	PLUM	(PRUNUS SPP.)	5"	D.B.H.
SURVEY #6159	SWEETGUM	(LIQUIDAMBAR STYRACIFLUA)	21"	D.B.H.
SURVEY #6160	WATER OAK	(QUERCUS NIGRA)	10"	D.B.H.
SURVEY #6163	SWEETGUM	(LIQUIDAMBAR STYRACIFLUA)	15"	D.B.H.
SURVEY #6164	SWEETGUM	(LIQUIDAMBAR STYRACIFLUA)	27"	D.B.H.
SURVEY #6182	SHORTLEAF PINE	(PINUS ECHINATA)	20"	D.B.H.
SURVEY #6318	WATER OAK	(QUERCUS NIGRA)	19"	D.B.H.
SURVEY #6359	BLACK CHERRY	(PRUNUS SEROTINA)	11"	D.B.H.
SURVEY #6360	WATER OAK	(QUERCUS NIGRA)	17"	D.B.H.
SURVEY #6379	BRADFORD	(PYRUS CALLERYANA)	15"	D.B.H.
SURVEY #6480	CAMELLIA	(CAMELLIA SPP.)	6"	D.B.H.
SURVEY #6481	CITRUS	(CIRUS SPP.)	4"	D.B.H.
SURVEY #6492	LIGUSTRUM	(LIGUSTRUM SPP.)	12"	D.B.H.
SURVEY #6493	LIGUSTRUM	(LIGUSTRUM SPP.)	10"	D.B.H.
SURVEY #6495	LIGUSTRUM	(LIGUSTRUM SPP.)	4"	D.B.H.
SURVEY #6496	LIGUSTRUM	(LIGUSTRUM SPP.)	14"	D.B.H.
SURVEY #6498	LIGUSTRUM	(LIGUSTRUM SPP.)	14"	D.B.H.
* SURVEY #6627	SHORTLEAF PINE	(PINUS ECHINATA)	27"	D.B.H.
SURVEY #6628	LAUREL OAK	(QUERCUS LAURIFOLIA)	17"	D.B.H.
SURVEY #6922	SHORTLEAF PINE	(PINUS ECHINATA)	30"	D.B.H.
SURVEY #6957	SWEETGUM	(LIQUIDAMBAR STYRACIFLUA)	24"	D.B.H.
SURVEY #6961	LIGUSTRUM	(LIGUSTRUM SPP.)	6"	D.B.H.
SURVEY #6961	LIGUSTRUM	(LIGUSTRUM SPP.)	6"	D.B.H.
SURVEY #7154	CAMELLIA	(CAMELLIA SPP.)	10"	D.B.H.
SURVEY #7156	CAMELLIA	(CAMELLIA SPP.)	10"	D.B.H.
SURVEY #7165	LOQUAT	(ERIOBOTRYA JAPONICA)	10"	D.B.H.
SURVEY #7202	CAMELLIA	(CAMELLIA SPP.)	10"	D.B.H.
SURVEY #7206	CAMELLIA	(CAMELLIA SPP.)	3"	D.B.H.
SURVEY #7207	CAMELLIA	(CAMELLIA SPP.)	8"	D.B.H.
SURVEY #7208	CAMELLIA	(CAMELLIA SPP.)	8"	D.B.H.
SURVEY #7335	SHORTLEAF PINE	(PINUS ECHINATA)	23"	D.B.H.

* TREES #1374 (28" SHORTLEAF PINE) AND #6627 (27" SHORTLEAF PINE) SHALL BE CUT AND STACKED ON THE OWNER'S PROPERTY AT 2009 WEST RANDOLPH

REVISIONS	NO.	DATE	DESCRIPTION

PROJECT NAME LEE AVENUE DRAINAGE IMPROVEMENTS	CLIENT NAME CITY OF TALLAHASSEE EUTAW, INC.
DATE: 11/27/2023	DRAWN BY: DLC

COWLES LANDSCAPE ARCHITECTURE
(CLA)
 2285 TRISCOTT DRIVE
 TALLAHASSEE, FL 32308
 (850) 545-7035
 www.cowlesla.com



SHEET TITLE
**ARBORIST EXHIBIT
NOTES & DETAILS**

SHEET
TR8.0

ARBORIST REPORT

INTRODUCTION

PAVEMENT AND DRAINAGE IMPROVEMENTS ARE PROPOSED WITHIN PORTIONS OF LEE AVENUE, RANDOLPH CIRCLE, TRESMOTT DRIVE AND ADJACENT EASEMENTS. NEW DRAIN PIPES, STRUCTURES, PAVEMENT, CURBING, GRADING, SODDING, ETC., ARE PART OF THE PROPOSED INSTALLATION. IT IS ANTICIPATED THAT TRENCHING / EXCAVATION FOR THIS PROJECT WILL IMPACT APPROXIMATELY 65 TREES. AN ARBORIST INSPECTION WAS PERFORMED ON MARCH 28, 2022 TO IDENTIFY AND EVALUATE EXISTING CONDITIONS OF THE SITE. SPECIFIC MITIGATION WORK (INCLUDING TREE PROTECTION) IS PROPOSED BELOW FOR THE TREES ASSOCIATED WITH THE PROPOSED CONSTRUCTION. SHORT-TERM AND LONG-TERM EFFECTS ARE CONSIDERATIONS OF THE PROPOSED MITIGATION - INTENDED TO PROTECT AND ENHANCE THE HEALTH OF THE TREES, AS WELL AS REDUCE STRESS FROM THE PROPOSED IMPACTS.

SEE THE SUBJECT TREE LIST FOR SPECIFIC SPECIES / SIZES. REFER TO THE ARBORIST EXHIBIT MAPS FOR GRAPHIC LOCATIONS.

ASSESSMENT

THE SUBJECT TREES LISTED REPRESENT THOSE WITH A CRITICAL PROTECTION ZONE (CPZ) IN OR NEAR THE PROPOSED SITE IMPROVEMENTS EXCAVATION (AS INDICATED ON THE CIVIL PLANS.) THE TREES ARE A MIX OF NATURALLY-OCCURRING (OR SELF-SEEDED) AND PLANTED AS PART OF THE RESIDENTIAL COMMUNITY, AND HAVE ESTABLISHED AROUND ROADWAYS, STRUCTURES, WALLS, DRIVEWAYS, SIDEWALKS, FENCING, UTILITIES, ETC. MOST OF THE TREES ARE LOCATED IN VARIOUS DEGREES OF GROWTH-LIMITING CONDITIONS SUCH AS COMPACTED SOIL, DRAINAGE DITCHES, IMPERVIOUS SURFACES, ROOT OBSTRUCTIONS AND UTILITY (UNDERGROUND AND ABOVEGROUND) CONFLICTS. THE TREES GENERALLY APPEAR TO RECEIVE ADEQUATE MAINTENANCE (PRUNING, FERTILIZER, WATER) AND DO NOT SHOW SIGNIFICANT SIGNS OF NUTRIENT DEFICIENCIES.

IT IS EXPECTED THAT ROOT GROWTH IN THE R.O.W. (RIGHT OF WAY) WAS DISCOURAGED BY THE PRESENCE OF PRE-EXISTING PAVEMENT AND DRAINAGE DITCHES. HOWEVER, THERE STILL MAY BE ROOTS EXISTING UNDER THE ROADWAY BASE, ESPECIALLY WITH SOME OF THE LARGER, MORE MATURE TREES.

ALL OF THE SUBJECT TREES ARE IN GOOD OR AVERAGE HEALTH CONTAINING NORMAL AMOUNTS OF THE FOLLOWING DEFECTS: COMPACTED SOIL, CO-DOMINATE TRUNKS / BRANCHING, DEAD STUBS, WOUNDS, BRANCH DIEBACK AND WATER-SPROUT GROWTH. THE MAIN VALUE OF THE TREES ARE SHADING AND BUFFERING. THESE TREES ARE WORTHY OF PROTECTION AND MITIGATION. PERFORM TREE PROTECTION / MITIGATION WORK FOR ALL SUBJECT TREES TO REMAIN AS NOTED IN THIS REPORT AND SHOWN ON THE ARBORIST EXHIBIT TREE LOCATION MAPS. REFER TO THE SUBJECT [TO BE MITIGATED] TREE LIST.

TREE REMOVAL

THE TREES WITHIN OR VERY CLOSE TO THE EXCAVATION AREAS SHALL BE REMOVED. REFER TO THE SUBJECT [TO BE REMOVED] TREE LIST.

TREE PROTECTION

PRIOR TO CONSTRUCTION, THE CONTRACTOR SHALL INSTALL TREE PROTECTION BARRICADES. CONSTRUCTION ACTIVITY SHALL ONLY OCCUR WITHIN THE DESIGNATED LIMITS OF CLEARING.

THE TREE PROTECTION ZONE (TPZ) IS A ROOT PRESERVATION AREA, INCLUDING BUT NOT LIMITED TO THE BARRICADED PORTION. THERE SHALL BE NO ADDITIONAL SOIL COMPACTION WITHIN THE TPZ. THIS NOTE SHALL BE STRICTLY ENFORCED BY ONSITE CONSTRUCTION SUPERVISORS. THE FOLLOWING ACTIVITIES SHOULD NOT BE ALLOWED WITHIN THE TPZ UNLESS SPECIAL ACCOMMODATIONS ARE MADE BY A CERTIFIED ARBORIST: DRIVING; PARKING; STORING MATERIALS; DUMPING WASTE; CONCRETE WASHOUT; PAINT WASHOUT AND PAINT BRUSH RINSING; ADDING FILL SOIL; TRENCHING (UNAPPROVED); REMOVING SOIL; GRUBBING.

IN CIRCUMSTANCES WHERE HEAVY EQUIPMENT WILL BE RUNNING UNDER A TREE CANOPY (IN AREAS NOT PAVED), TEMPORARY METHODS TO DISTRIBUTE THIS WEIGHT (SUCH AS PLYWOOD OR COMBINATION OF PLYWOOD AND MULCH) SHALL BE USED.

THE TPZ FENCE (TREE PROTECTION BARRICADE) SHALL BE OF A 4-FOOT HIGH FLEXIBLE MESH FABRIC ATTACHED TO A WOOD FRAME. REFER TO THE TREE PROTECTION BARRICADE DETAIL FOR MORE INFORMATION.

SPECIAL TREE PROTECTION SHALL BE INSTALLED ON SELECTED TREES TO PROTECT THE TRUNK THROUGHOUT THE CONSTRUCTION PERIOD. REFER TO THE SPECIAL TREE PROTECTION DETAIL FOR MORE INFORMATION.

MITIGATION

ALL REQUIRED MITIGATION MUST BE PERFORMED, OR DIRECTLY SUPERVISED, BY A CERTIFIED ARBORIST.

CANOPY PRUNING AND CROWN CLEARING SHALL BE PERFORMED (FOR MITIGATED TREES WITHIN THE RIGHT-OF-WAY) IN ACCORDANCE WITH THE CURRENTLY ADOPTED ANSI A300 STANDARDS. PRUNING AND CROWN CLEANING SHALL CONSIST OF THE REMOVAL OF ALL DEADWOOD, DISEASED BRANCHES, STUBBED BRANCHES, WATER SPROUTS, CROSSING/RUBBING BRANCHES AND DEFECTS DOWN TO A 1" DIAMETER SIZE. BRANCH COLLAR CUTS OVER EIGHT INCHES IN DIAMETER SHOULD BE AVOIDED BUT MAY BE ALLOWED TO RAISE LIMBS IN ORDER TO ACCOMMODATE CONSTRUCTION TRAFFIC, EQUIPMENT AND STRUCTURES, AS ADVISED BY A CERTIFIED ARBORIST. REMOVE HEAVY CONCENTRATIONS OF MOSS AND VINES THAT COMPETE WITH CROWN FOLIAGE. NO MORE THAN 1/3 OF THE CANOPY OF ANY TREE SHALL BE REMOVED. IF FIELD MONITORING DETERMINES THAT CANOPY PRUNING IS NEEDED FOR PRIVATELY-OWNED TREES, OWNER PERMISSION SHALL BE REQUIRED.

ROOT PRUNING WILL BE NECESSARY WHERE IMPACTS FROM EXCAVATION WILL OCCUR. PRIOR TO DAMAGING CONSTRUCTION ACTIVITIES, NECESSARY CUTS OF ALL ROOTS 1" OR GREATER IN DIAMETER THAT ARE A MINIMUM DEPTH OF 18" SHALL BE PERFORMED CLEANLY WITH SHARP CUTTING DEVICE, I.E., ROOT SAW, PRUNER, ETC. REFER TO THE ROOT PRUNING DETAIL FOR MORE INFORMATION.

ALL EXCAVATED SOIL SHALL BE BACKFILLED IMMEDIATELY TO MINIMIZE DRYING OF THE ROOTS. EXCESS SOIL SHALL NOT BE PILED OVER THE ROOT ZONE.

MONITORING

DURING CONSTRUCTION, MONITORING SHALL OCCUR AS NEEDED. THE CERTIFIED ARBORIST SHALL COORDINATE WITH THE GENERAL CONTRACTOR AND PROVIDE MONITORING REPORTS (ON-SITE INSPECTION AND REVIEW OF WORK.) THE CERTIFIED ARBORIST SHALL BE NOTIFIED FOR ANY SIGNIFICANT ACTIVITY SCHEDULED TO IMPACT THE ROOT ZONE OF A PROTECTED TREE.

SEQUENCE

1. PERFORM TREE REMOVAL
2. PERFORM CROWN PRUNING / CROWN CLEANING.
3. INSTALL TREE PROTECTION.
4. PERFORM ROOT PRUNING AS REQUIRED.
5. UPON COMPLETION OF CONSTRUCTION ACTIVITY, REMOVE TREE PROTECTION.

CONCLUSION

THE TOTAL NUMBER OF TREES TO RECEIVE ARBORIST MITIGATION IS 27 - AS IDENTIFIED IN THIS REPORT. UNKNOWN FIELD CONDITIONS AND UNFORESEEN IMPACTS MAY REQUIRE AN ARBORIST RE-EVALUATION. FOR ANY TREES SCHEDULED TO REMAIN IN THIS REPORT, THE CERTIFIED ARBORIST MAY DETERMINE (DURING EXCAVATION / CONSTRUCTION) THAT ROOT IMPACTS WARRANT REMOVAL.

THE TOTAL NUMBER OF CONFLICTING TREES TO BE REMOVED IS 38 - AS IDENTIFIED IN THIS REPORT.

TREE PROTECTION METHODS MAY VARY DEPENDING ON THE EXACT NATURE OF THE CONSTRUCTION ACTIVITY - AS DIRECTED BY THE CERTIFIED ARBORIST AT A PRE-CONSTRUCTION MEETING OR DURING CONSTRUCTION.

THE MITIGATION PLAN SHALL PROTECT, MINIMIZE IMPACTS FROM CONSTRUCTION AND IMPROVE THE GROWING CONDITIONS OF THE TREES. THE CONTINUAL MANAGEMENT AND PROTECTION WILL BE ESSENTIAL FOR LONG-TERM SURVIVABILITY OF THESE TREES.

PROFESSIONAL CERTIFICATION

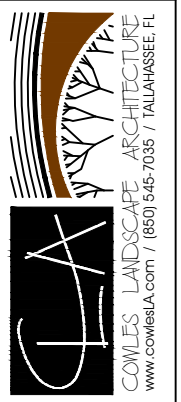
DAVID L. COWLES, JR., R.L.A.
FLORIDA REG. NO: LA6666917
ISA CERTIFIED ARBORIST # FL-5314A

REVISIONS									

PROJECT NAME LEE AVENUE DRAINAGE IMPROVEMENTS	CLIENT NAME CITY OF TALLAHASSEE EUTAW, INC.
---	---

DATE: 11/27/2023
DRAWN BY: DLC

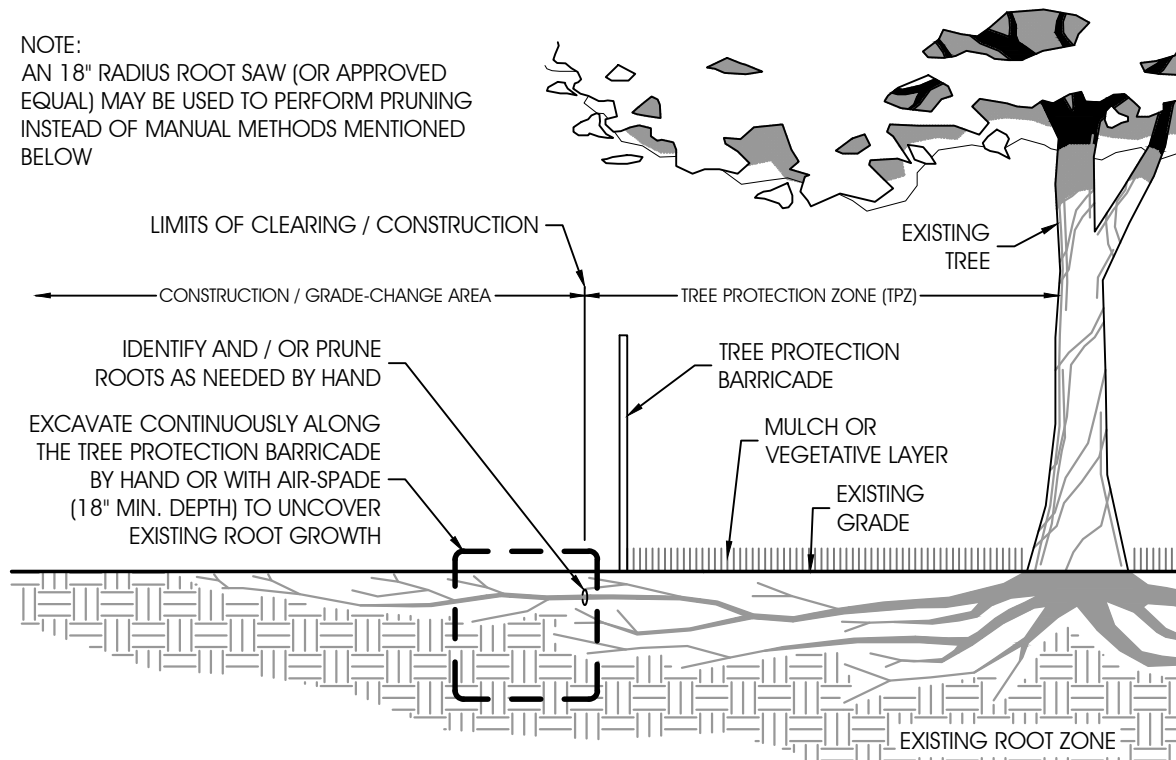
COWLES LANDSCAPE ARCHITECTURE
(CLA)
2285 TRESMOTT DRIVE
TALLAHASSEE, FL 32308
(850) 545-7035
www.cowlesLA.com



SHEET TITLE
**ARBORIST EXHIBIT
NOTES & DETAILS**

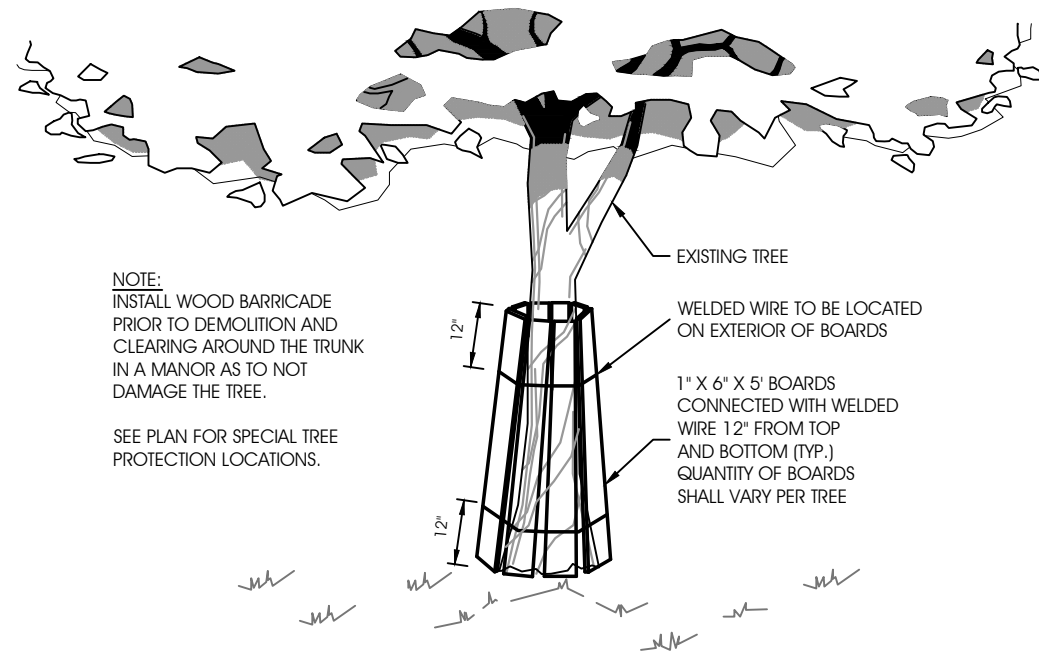
SHEET
TR9.0

NOTE:
AN 18" RADIUS ROOT SAW (OR APPROVED EQUAL) MAY BE USED TO PERFORM PRUNING INSTEAD OF MANUAL METHODS MENTIONED BELOW



ROOT PRUNING DETAIL

NOT TO SCALE



NOTE:
INSTALL WOOD BARRICADE PRIOR TO DEMOLITION AND CLEARING AROUND THE TRUNK IN A MANNER AS TO NOT DAMAGE THE TREE.

SEE PLAN FOR SPECIAL TREE PROTECTION LOCATIONS.

SPECIAL TREE PROTECTION

NOT TO SCALE

NOTE:
THE CRITICAL PROTECTION ZONE (CPZ) REFERS TO THAT AREA SURROUNDING A TREE WITHIN A CIRCLE DESCRIBED BY A RADIUS OF ONE FOOT FOR EACH INCH OF THE TREE'S DBH.

THE TREE PROTECTION ZONE (TPZ) MAY INCLUDE PORTIONS OF THE CPZ, THE ENTIRE CPZ OR ADDITIONAL AREA AS DETERMINED BY A CERTIFIED ARBORIST AND DEFINED ON THE PLAN.

PROTECTIVE POSTS SHALL BE PLACED SO AS TO PROTECT THE TPZ FOR EACH TREE NOT PERMITTED FOR REMOVAL. SEE PLAN FOR TREE BARRICADE LOCATIONS.

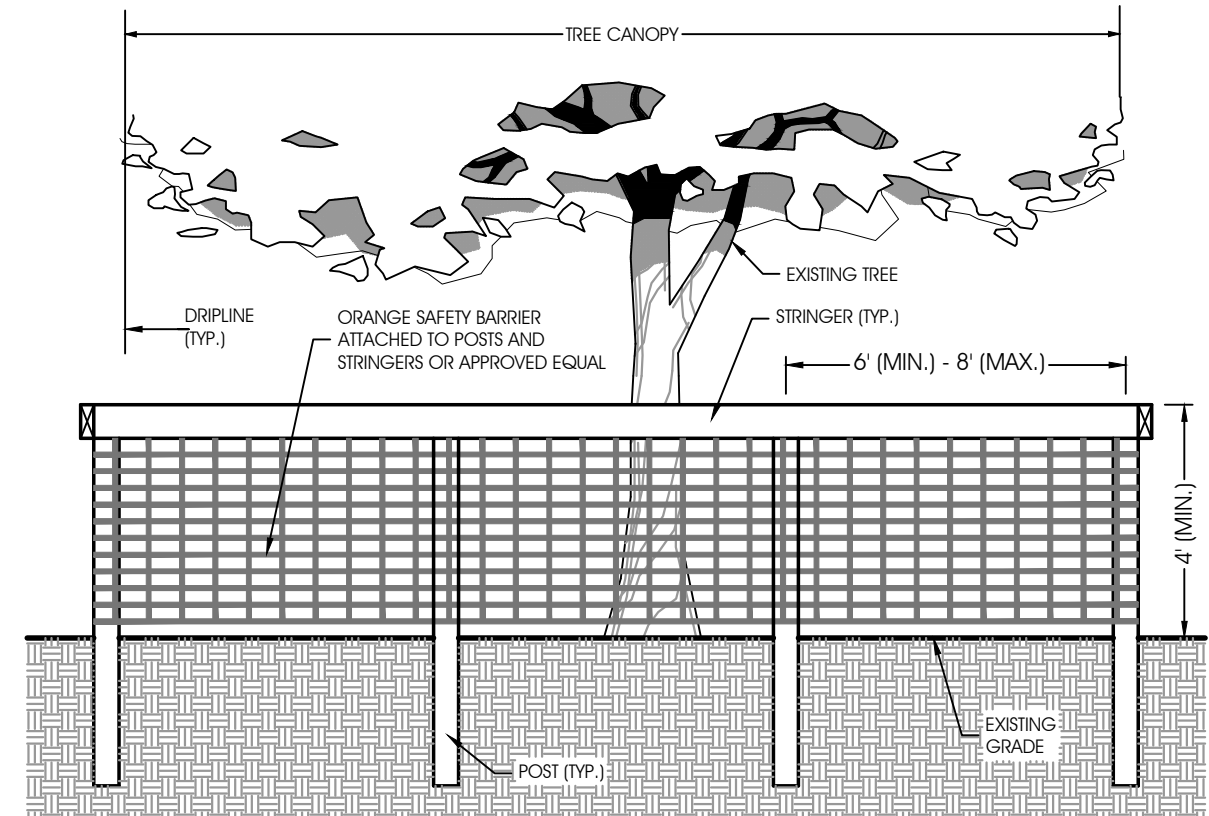
- POSTS SHALL BE OF NOMINAL TWO INCHES BY FOUR INCHES OR LARGER WOODEN POST, TWO INCHES OUTER DIAMETER OR LARGER DIAMETER PIPE, OR OTHER POST OF EQUIVALENT SIZE; SHALL BE STRUNG WITH AT LEAST ONE ONE-INCH BY FOUR-INCH (1" x 4") WOODEN STRINGER; AND SHALL BE CLEARLY FLAGGED.
- POSTS SHALL BE IMPLANTED DEEP ENOUGH IN THE GROUND TO BE STABLE AND TO EXTEND TO A MINIMUM HEIGHT OF FOUR FEET ABOVE THE GROUND.

SECURE ORANGE BARRIER TO POSTS AND STRINGERS WITH NYLON CABLE TIES. WOOD STRIPS MAY BE ALSO BE USED TO PROVIDE ADDITIONAL SUPPORT AND PROTECTION BETWEEN POSTS.

WHEN THE DIRECTOR DETERMINES THAT INDIVIDUAL PROTECTIVE TREE BARRIERS ARE NOT NEEDED IN SOME AREAS FOR TREE PROTECTION, SUCH AREAS SHALL BE STAKED AND FLAGGED WITH READILY VISIBLE MARKERS.

WHERE DEVELOPMENT ACTIVITY IS PERMITTED TO OCCUR WITHIN THE CRITICAL PROTECTION ZONE (CPZ) OF A PROTECTED TREE, THE DIRECTOR MAY ALLOW THE TEMPORARY REMOVAL OF THE TREE PROTECTION BARRIERS AND SHALL REQUIRE PROTECTIVE GIRDLING OF AT LEAST THE BOTTOM FOUR FEET OF THE TRUNK TO AVOID BRUISING OR SCRAPING OF THE TRUNK BASE, ALONG WITH FENCING OR OTHER APPROVED TECHNIQUES.

ALL GRADING FOR DRAINAGE OCCURRING WITHIN THE CPZ OF THE TREES SHALL BE DONE BY HAND OR AS DIRECTED ON-SITE BY THE PERMITTEE'S CERTIFIED ARBORIST.



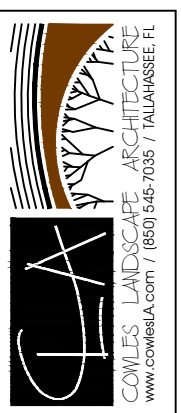
TREE PROTECTION BARRICADE

NOT TO SCALE

REVISIONS									

PROJECT NAME	LEE AVENUE DRAINAGE IMPROVEMENTS
CLIENT NAME	CITY OF TALLAHASSEE EUTAW, INC.
DATE:	11/27/2023
DRAWN BY:	DLC

COWLES LANDSCAPE ARCHITECTURE (CLA)
2285 TRISCOTT DRIVE
TALLAHASSEE, FL 32308
(850) 545-7035
www.cowlesla.com



ARBORIST EXHIBIT
NOTES & DETAILS

SHEET TITLE
SHEET
TR10.0